



**HEIDENHAIN**



## **Rotary Encoders**

**Rotary encoders from HEIDENHAIN** serve as feedback devices for rotary motion and angular speed. When used in conjunction with mechanical measuring standards such as lead screws, they can also measure linear motion. Possible applications include electric motors, machine tools, printing machines, woodworking machines, textile machines, robots, and handling devices, as well as a wide variety of measuring, testing, and inspection devices. The high quality of their sinusoidal incremental signals permits high interpolation factors for digital speed control.



Rotary encoders for separate shaft coupling



Electronic handwheel



Rotary encoders with mounted stator coupling

Information about

- Encoders for servo drives
- Sealed angle encoders
- Modular angle encoders with optical scanning
- Modular angle encoders with magnetic scanning
- Linear encoders for numerically controlled machine tools
- Exposed linear encoders
- Signal converters
- HEIDENHAIN controls, and
- Cables and connecting elements is available upon request as well as on the Internet at [www.heidenhain.com](http://www.heidenhain.com).

**Further information:**

For detailed descriptions of all available interfaces, as well as general electrical information, please refer to the *Interfaces of HEIDENHAIN Encoders* brochure.

*This brochure supersedes all previous editions, which thereby become invalid. The basis for ordering from HEIDENHAIN is always the current product documentation at the time the order is placed.*

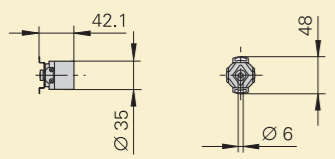
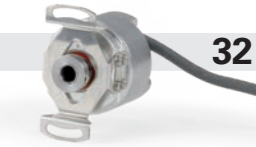
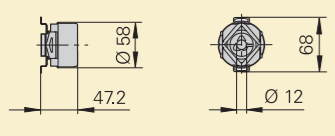

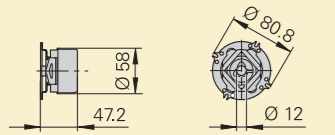
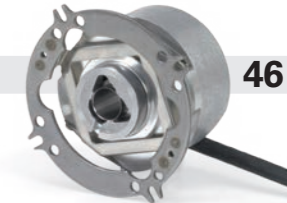
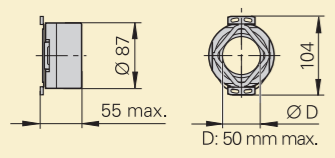

*Standards (ISO, EN, etc.) apply only where explicitly stated in this brochure.*

# Contents

| Introduction   |  |  |                        |           |
|--|--|--|------------------------|-----------|
|  | <b>Selection guide</b>                                       |  | <b>4</b>               |           |
|  | <b>Measuring principles, accuracy</b>                        |  | <b>14</b>              |           |
|  | <b>Mechanical design types and mounting</b>                  | Rotary encoders with stator coupling                 | <b>16</b>              |           |
|  |  | Rotary encoders for separate shaft coupling          | <b>19</b>              |           |
|  |  | Shaft couplings                                      | <b>24</b>              |           |
|  | <b>General mechanical information</b>                        |  | <b>27</b>              |           |
|  | <b>Safety-related position measuring systems</b>             |  | <b>30</b>              |           |
| Specifications   | Absolute rotary encoders                                     | Incremental rotary encoders                          |                        |           |
| <i>Mounted stator coupling</i>                           | <b>ECN 1000/EQN 1000</b> series                              | <b>ERN 1000</b> series                               | <b>32</b>              |           |
|  | <b>ECN 400/EQN 400</b> series                                | <b>ERN 400</b> series                                | <b>36</b>              |           |
|  | <b>ECN 400F/EQN 400F</b> series                              | –  | <b>44</b>              |           |
|  | <b>ECN 400S/EQN 400S</b> series                              | –  |                        |           |
|  | <b>ECN 400/EQN 400</b> series with universal stator coupling | <b>ERN 400</b> series with universal stator coupling | <b>46</b>              |           |
|  | <b>ECN 100</b> series  | <b>ERN 100</b> series                                | <b>50</b>              |           |
|  | <i>Separate shaft coupling; synchro flange</i>               | <b>ROC/ROQ 1000</b> series                           | <b>ROD 1000</b> series | <b>52</b> |
|  |  | <b>ROC/ROQ 400</b> series                            | <b>ROD 400</b> series  | <b>56</b> |
|  |  | <b>ROC 400F/ROQ 400F</b> series                      | –                      | <b>64</b> |
|  |  | <b>ROC 400S/ROQ 400S</b> series                      | –                      |           |
| <b>ROC 425</b> series with high accuracy                 |  | –  | <b>66</b>              |           |
| <i>Separate shaft coupling; clamping flange</i>          | <b>ROC/ROQ 400</b> series                                    | <b>ROD 400</b> series                                | <b>68</b>              |           |
|  | <b>ROC 400F/ROQ 400F</b> series                              | –  | <b>72</b>              |           |
|  | <b>ROC 400S/ROQ 400S</b> series                              | –  |                        |           |
|  |  | <b>ROD 600</b> series                                | <b>74</b>              |           |
| <i>Separate shaft coupling; mounting via flange/base</i> | –  | <b>ROD 1930</b> Sturdy design                        | <b>76</b>              |           |
| <i>Handwheels</i>  | –  | <b>HR 1120</b>                                       | <b>78</b>              |           |
| Electrical connection                                    |  |  |                        |           |
|  | <b>Interfaces</b>  | Incremental signals                                  | <b>80</b>              |           |
|  |  | Position values                                      | <b>85</b>              |           |
|  | <b>Cables and connecting elements</b>                        |  | <b>90</b>              |           |
|  | <b>Signal converters</b>                                     |  | <b>94</b>              |           |
|  | <b>Testing and inspection devices, and diagnostics</b>       |  | <b>96</b>              |           |

# Selection guide

## Rotary encoders for standard applications

| Rotary encoders   | Absolute   |  |  |   |  |   | Incremental   |                                      |   |   |
|---|--|--|--|---|--|---|---|--------------------------------------|---|---|
|   | Singletum  |  |  | Multitum 4096 revolutions   |  |   | TTL   | HTL                                  | ~ 1 V <sub>pp</sub>                               |   |
| Interface   | EnDat  | Fanuc Siemens  | SSI                                      | EnDat   | Fanuc Siemens  | SSI   |   |                                      |   |   |
| <b>With mounted stator coupling</b>   |  |  |  |   |  |   |   |                                      |   |   |
| <b>ECN/EQN/ERN 1000 series</b><br>                                 | <b>ECN 1023</b><br>Positions/rev: 23 bits<br>EnDat 2.2/22<br><br><b>ECN 1013</b><br>Positions/rev: 13 bits<br>EnDat 2.2/01                                   | <b>ECN 1023 S</b><br>Positions/rev: 23 bits<br>DRIVE-CLiQ  | –  | <b>EQN 1035</b><br>Positions/rev: 23 bits<br>EnDat 2.2/22<br><br><b>EQN 1025</b><br>Positions/rev: 13 bits<br>EnDat 2.2/01  | <b>EQN 1035 S</b><br>Positions/rev: 23 bits  | –   | <b>ERN 1020</b><br>100 to 3600 lines<br><br><b>ERN 1070</b><br>1000/2500/3600 lines <sup>1)</sup> | <b>ERN 1030</b><br>100 to 3600 lines | <b>ERN 1080</b><br>100 to 3600 lines              |  <b>32</b>   |
| <b>ECN/EQN/ERN 400 series</b><br>                                  | <b>ECN 425</b><br>Positions/rev: 25 bits<br>EnDat 2.2/22<br>Available with functional safety<br><br><b>ECN 413</b><br>Positions/rev: 13 bits<br>EnDat 2.2/01 | <b>ECN 425 F</b><br>Positions/rev: 25 bits<br>Fanuc αi<br><br><b>ECN 424 S</b><br>Positions/rev: 24 bits<br>DRIVE-CLiQ<br>Available with functional safety | <b>ECN 413</b><br>Positions/rev: 13 bits | <b>EQN 437</b><br>Positions/rev: 25 bits<br>EnDat 2.2/22<br>Available with functional safety<br><br><b>EQN 425<sup>3)</sup></b><br>Positions/rev: 13 bits<br>EnDat 2.2/01 | <b>EQN 437 F</b><br>Positions/rev: 25 bits<br>Fanuc αi<br><br><b>EQN 436 S</b><br>Positions/rev: 24 bits<br>DRIVE-CLiQ<br>Available with functional safety | <b>EQN 425<sup>3)</sup></b><br>Positions/rev: 13 bits | <b>ERN 420</b><br>250 to 5000 lines<br><br><b>ERN 460<sup>2)</sup></b><br>250 to 5000 lines       | <b>ERN 430</b><br>250 to 5000 lines  | <b>ERN 480<sup>4)</sup></b><br>1000 to 5000 lines |  <b>36</b>   |
| <b>ECN/EQN/ERN 400 series with universal stator coupling</b><br> | <b>ECN 425</b><br>Positions/rev: 25 bits<br>EnDat 2.2/22<br><br><b>ECN 413</b><br>Positions/rev: 13 bits<br>EnDat 2.2/01                                     | –  | <b>ECN 413</b><br>Positions/rev: 13 bits | <b>EQN 437</b><br>Positions/rev: 25 bits<br>EnDat 2.2/22<br><br><b>EQN 425</b><br>Positions/rev: 13 bits<br>EnDat 2.2/01  | –  | <b>EQN 425</b><br>Positions/rev: 13 bits              | <b>ERN 420</b><br>250 to 5000 lines<br><br><b>ERN 460<sup>2)</sup></b><br>250 to 5000 lines       | <b>ERN 430</b><br>250 to 5000 lines  | <b>ERN 480</b><br>1000 to 5000 lines              |  <b>46</b>  |
| <b>ECN/ERN 100 series</b><br>                                    | <b>ECN 125</b><br>Positions/rev: 25 bits<br>EnDat 2.2/22<br><br><b>ECN 113</b><br>Positions/rev: 13 bits<br>EnDat 2.2/01                                     | –  | –  | –   | –  | –   | <b>ERN 120</b><br>1000 to 5000 lines  | <b>ERN 130</b><br>1000 to 5000 lines | <b>ERN 180</b><br>1000 to 5000 lines              |  <b>50</b> |

<sup>1)</sup> Up to 36000 signal periods via integrated 5/10-fold interpolation (higher interpolation upon request)

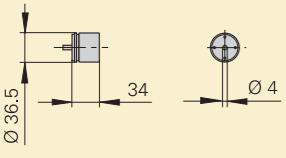

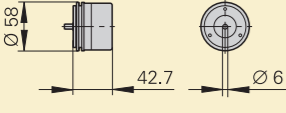

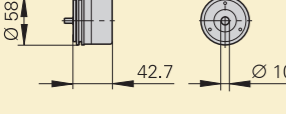

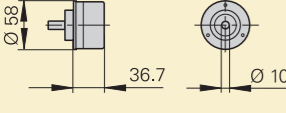

<sup>2)</sup> Supply voltage: DC 10 V to 30 V

<sup>3)</sup> Also available with TTL or HTL signal transmission

<sup>4)</sup> Available with mechanical fault exclusion; for restrictions on specifications and for special mounting information, see the *Fault Exclusion* customer information document

DRIVE-CLiQ is a registered trademark of Siemens AG.

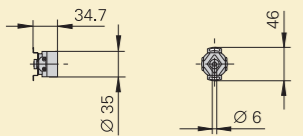
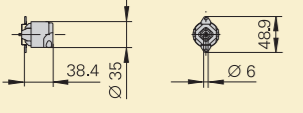
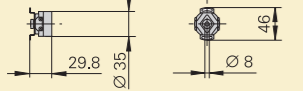
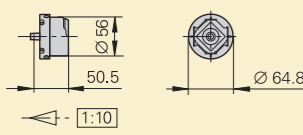
# Rotary encoders for standard applications

| Rotary encoders   | Absolute Singletum   |  |  | Multitum 4096 revolutions  |  |  | Incremental  |                                      |  |   |
|---|--|--|--|--|--|--|--|--------------------------------------|--|---|
|   | Interface  | EnDat  | Fanuc Siemens                            | SSI  | EnDat  | Fanuc Siemens                            | SSI  | TTL                                  | HTL  | ~ 1 V <sub>pp</sub>   |
| <b>For separate shaft coupling, with synchro flange</b>   |  |  |  |  |  |  |  |                                      |  |   |
| <b>ROC/ROQ/ROD 1000 series</b><br>                       | <b>ROC 1023</b><br>Positions/rev: 23 bits<br>EnDat 2.2/22<br><br><b>ROC 1013</b><br>Positions/rev: 13 bits<br>EnDat 2.2/01                                   | <b>ROC 1023 S</b><br>Positions/rev: 23 bits<br>DRIVE-CLiQ  | –  | <b>ROQ 1035</b><br>Positions/rev: 23 bits<br>EnDat 2.2/22<br><br><b>ROQ 1025</b><br>Positions/rev: 13 bits<br>EnDat 2.2/01   | <b>ROQ 1035 S</b><br>Positions/rev: 23 bits<br>DRIVE-CLiQ  | –  | <b>ROD 1020</b><br>100 to 3600 lines<br><br><b>ROD 1070</b><br>1000/2500/3600 lines <sup>2)</sup>                      | <b>ROD 1030</b><br>100 to 3600 lines | <b>ROD 1080</b><br>100 to 3600 lines               |  <b>52</b>   |
| <b>ROC/ROQ/ROD 400 series with synchro flange</b><br>    | <b>ROC 425</b><br>Positions/rev: 25 bits<br>EnDat 2.2/22<br>Available with functional safety<br><br><b>ROC 413</b><br>Positions/rev: 13 bits<br>EnDat 2.2/01 | <b>ROC 425 F</b><br>Positions/rev: 25 bits<br>Fanuc $\alpha$<br><br><b>ROC 424 S</b><br>Positions/rev: 24 bits<br>DRIVE-CLiQ<br>Available with functional safety | <b>ROC 413</b><br>Positions/rev: 13 bits | <b>ROQ 437</b><br>Positions/rev: 25 bits<br>EnDat 2.2/22<br>Available with functional safety<br><br><b>ROQ 425</b><br>Positions/rev: 13 bits<br>EnDat 2.2/01               | <b>ROQ 437 F</b><br>Positions/rev: 25 bits<br>Fanuc $\alpha$<br><br><b>ROQ 436 S</b><br>Positions/rev: 24 bits<br>DRIVE-CLiQ<br>Available with functional safety | <b>ROQ 425</b><br>Positions/rev: 13 bits | <b>ROD 426</b><br>50 to 5000 lines <sup>1)</sup><br><br><b>ROD 466</b> <sup>3)</sup><br>50 to 5000 lines <sup>2)</sup> | <b>ROD 436</b><br>50 to 5000 lines   | <b>ROD 486</b> <sup>5)</sup><br>1000 to 5000 lines |  <b>56</b>   |
| <b>ROC 425 for high accuracy</b><br>                   | <b>ROC 425</b><br>Positions/rev: 25 bits<br>EnDat 2.2/01   | –  | –  | –  | –  | –  | –  | –                                    | –  |  <b>66</b>  |
| <b>For separate shaft coupling, with clamping flange</b>  |  |  |  |  |  |  |  |                                      |  |   |
| <b>ROC/ROQ/ROD 400 series with clamping flange</b><br> | <b>ROC 425</b><br>Positions/rev: 25 bits<br>EnDat 2.2/22<br>Available with functional safety<br><br><b>ROC 413</b><br>Positions/rev: 13 bits<br>EnDat 2.2/01 | <b>ROC 425 F</b><br>Positions/rev: 25 bits<br>Fanuc $\alpha$<br><br><b>ROC 424 S</b><br>Positions/rev: 24 bits<br>DRIVE-CLiQ<br>Available with functional safety | <b>ROC 413</b><br>Positions/rev: 13 bits | <b>ROQ 437</b><br>Positions/rev: 25 bits<br>EnDat 2.2/22<br>Available with functional safety<br><br><b>ROQ 425</b> <sup>4)</sup><br>Positions/rev: 13 bits<br>EnDat 2.2/01 | <b>ROQ 437 F</b><br>Positions/rev: 25 bits<br>Fanuc $\alpha$<br><br><b>ROQ 436 S</b><br>Positions/rev: 24 bits<br>DRIVE-CLiQ<br>Available with functional safety | <b>ROQ 425</b><br>Positions/rev: 13 bits | <b>ROD 420</b><br>50 to 5000 lines   | <b>ROD 430</b><br>50 to 5000 lines   | <b>ROD 480</b> <sup>5)</sup><br>1000 to 5000 lines |  <b>68</b> |

<sup>1)</sup> Up to 10000 signal periods via integrated 2-fold interpolation  
<sup>2)</sup> Up to 36000 signal periods via integrated 5/10-fold interpolation (higher interpolation upon request)  
<sup>3)</sup> Supply voltage: DC 10 V to 30 V  
<sup>4)</sup> Also available with TTL or HTL signal transmission  
<sup>5)</sup> Available with mechanical fault exclusion; for deviating specifications and special mounting information, see the *Fault Exclusion* Customer Information document

DRIVE-CLiQ is a registered trademark of Siemens AG.

# Rotary encoders for motors

| Rotary encoders  | Absolute Singleturn   |   |  | Multiturn   |   |  | Incremental   |   |
|--|---|---|--|---|---|--|---|---|
|  | Interface   | EnDat   | Siemens  | EnDat   | Siemens   | □TTL   | ~ 1V <sub>pp</sub>  |   |
| <b>With integral bearing and mounted stator coupling</b>   |   |   |  |   |   |  |   |   |
| <b>ERN 1023</b> IP64<br>  | -   | -   | -  | -   | -   | -  | <b>ERN 1023</b><br>500 to 8192 lines<br>Three signals for block commutation   | -   |
| <b>ECN/EQN 1100 series</b><br>  | <b>ECN 1123</b><br>Positions/rev: 23 bits<br>EnDat 2.2/22<br>Available with functional safety   | <b>ECN 1113</b><br>Positions/rev: 13 bits<br>EnDat 2.2/01   | <b>ECN 1123S</b><br>Positions/rev: 23 bits<br>DRIVE-CLiQ<br>Available with functional safety | <b>EQN 1135</b><br>Positions/rev: 23 bits<br>4096 revolutions<br>EnDat 2.2/22<br>Available with functional safety   | <b>EQN 1125</b><br>Positions/rev: 13 bits<br>4096 revolutions<br>EnDat 2.2/01   | <b>EQN 1135S</b><br>Positions/rev: 23 bits<br>4096 revolutions<br>DRIVE-CLiQ<br>Available with functional safety | -   | -   |
| <b>ERN 1123</b> IP00<br>  | -   | -   | -  | -   | -   | -  | <b>ERN 1123</b><br>500 to 8192 lines<br>Three signals for block commutation   | -   |
| <b>ECN/EQN/ERN 1300 series</b> IP40<br><b>ECN/EQN/ERN 400 series</b> IP64<br> | <b>ECN 1325</b><br>Positions/rev: 25 bits<br>EnDat 2.2/22<br>EnDat 3/E30-R2<br>Available with functional safety<br><br><b>ECN 425</b><br>Positions/rev: 25 bits<br>EnDat 2.2/22<br>Available with functional safety | <b>ECN 1313</b><br>Positions/rev: 13 bits<br>EnDat 2.2/01<br><br><b>ECN 413</b><br>Positions/rev: 13 bits<br>EnDat 2.2/01 | <b>ECN 1324S</b><br>Positions/rev: 24 bits<br>DRIVE-CLiQ<br>Available with functional safety | <b>EQN 1337</b><br>Positions/rev: 25 bits<br>4096 revolutions<br>EnDat 2.2/22<br>EnDat 3/E30-R2<br>Available with functional safety<br><br><b>EQN 437</b><br>Positions/rev: 25 bits<br>4096 revolutions<br>EnDat 2.2/22<br>Available with functional safety | <b>EQN 1325</b><br>Positions/rev: 13 bits<br>4096 revolutions<br>EnDat 2.2/01<br><br><b>EQN 425</b><br>Positions/rev: 13 bits<br>4096 revolutions<br>EnDat 2.2/01 | <b>EQN 1336S</b><br>Positions/rev: 24 bits<br>4096 revolutions<br>DRIVE-CLiQ<br>Available with functional safety | <b>ERN 1321</b><br>1024 to 4096 lines<br><br><b>ERN 1326</b><br>1024 to 4096 lines <sup>1)</sup><br>Three TTL signals for block commutation<br><br><b>ERN 421</b><br>1024 to 4096 lines | <b>ERN 1381</b> <sup>2)</sup><br>512 to 4096 lines<br><br><b>ERN 1387</b> <sup>2)</sup><br>2048 lines<br>Z1 track for sine commutation<br><br><b>ERN 487</b><br>2048 lines<br>Z1 track for sine commutation |

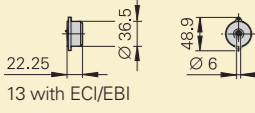
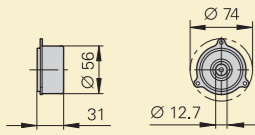
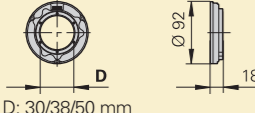
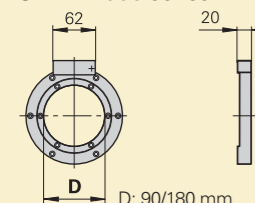
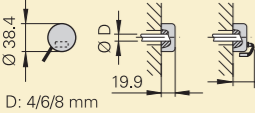
These rotary encoders are described in the **Encoders for Servo Drives** brochure.



<sup>1)</sup> 8192 signal periods through integrated 2-fold interpolation

<sup>2)</sup> Available with mechanical fault exclusion; for restrictions on specifications and for special mounting information, see the *Fault Exclusion* customer information document

DRIVE-CLiQ is a registered trademark of Siemens AG.

| Rotary encoders  | Absolute Singletum  |  |   | Multitum   |  |   | Incremental  |                                      |
|--|---|--|---|--|--|---|--|--------------------------------------|
|  | Interface   | EnDat  | Siemens   | EnDat  | Siemens  | □TTL  | ~ 1 V <sub>pp</sub>  |                                      |
| <b>Without integral bearing</b>  |   |  |   |  |  |   |  |                                      |
| <b>ECI/EQI/EBI 1100 series</b><br><br>13 with ECI/EBI | <b>ECI 1118</b><br>Positions/rev: 18 bits<br>EnDat 2.2/22   | <b>ECI 1119</b><br>Positions/rev: 19 bits<br>EnDat 2.2/22,<br>EnDat 3/E30-R2<br>Available with functional safety | –   | <b>EBI 1135</b><br>Positions/rev: 18 bits<br>65 536 revolutions<br>(buffer battery backup)<br>EnDat 2.2/22                                     | <b>EQI 1131</b><br>Positions/rev: 19 bits<br>4096 revolutions<br>EnDat 2.2/22,<br>EnDat 3/E30-R2<br>Available with functional safety | –   | –  | –                                    |
| <b>ECI/EQI 1300 series</b><br>                        | <b>ECI 1319</b><br>Positions/rev: 19 bits<br>EnDat 2.2/22<br>EnDat 3/E30-R2<br>Available with functional safety | <b>ECI 1319</b><br>Positions/rev: 19 bits<br>EnDat 3/E30-R2<br>Available with functional safety                  | <b>ECI 1319 S</b><br>Positions/rev: 19 bits<br>DRIVE-CLiQ<br>Available with functional safety | <b>EQI 1331</b><br>Positions/rev: 19 bits<br>4096 revolutions<br>EnDat 2.2/22<br>EnDat 3/E30-R2<br>Available with functional safety            | <b>EQI 1331</b><br>Positions/rev: 19 bits<br>4096 revolutions<br>EnDat 3/E30-R2<br>Available with functional safety                  | <b>EQI 1331 S</b><br>Positions/rev: 19 bits<br>4096 revolutions<br>DRIVE-CLiQ<br>Available with functional safety | –  | –                                    |
| <b>ECI/EBI 100 series</b><br><br>D: 30/38/50 mm       | <b>ECI 119</b><br>Positions/rev: 19 bits<br>EnDat 2.2/22 or<br>EnDat 2.1/01                                     | –  | –   | <b>EBI 135</b><br>Positions/rev: 19 bits<br>65 536 revolutions<br>(buffer battery backup)<br>EnDat 2.2/22                                      | –  | –   | –  | –                                    |
| <b>ECI/EBI 4000 series</b><br><br>D: 90/180 mm      | <b>ECI 4010</b><br>Positions/rev: 20 bits<br>EnDat 2.2/22<br>Available with functional safety                   | –  | <b>ECI 4090S</b><br>Positions/rev: 20 bits<br>DRIVE-CLiQ<br>Available with functional safety  | <b>EBI 4010</b><br>Positions/rev: 20 bits<br>65 536 revolutions<br>(buffer battery backup)<br>EnDat 2.2/22<br>Available with functional safety | –  | –   | –  | –                                    |
| <b>ERO 1400 series</b><br><br>D: 4/6/8 mm           | –   | –  | –   | –  | –  | –   | <b>ERO 1420</b><br>512 to 1024 lines<br><br><b>ERO 1470</b> <sup>1)</sup><br>1000/1500 lines <sup>1)</sup> | <b>ERO 1480</b><br>512 to 1024 lines |

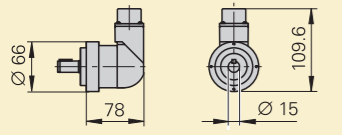
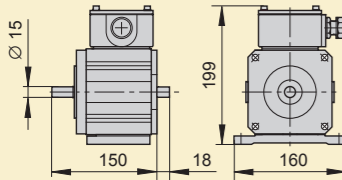
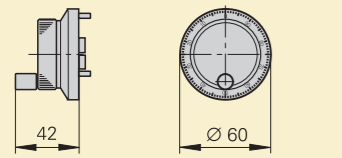
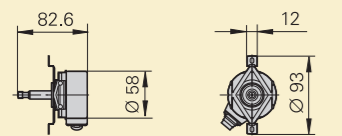
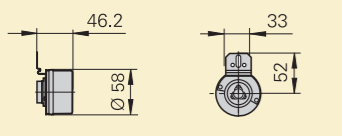
These rotary encoders are described in the **Encoders for Servo Drives** brochure.



<sup>1)</sup> Up to 37 500 signal periods via integrated 5/10/20/25-fold interpolation

DRIVE-CLiQ is a registered trademark of Siemens AG.

# Rotary encoders for special applications

| Rotary encoders  | Absolute Singletum |       | Multitum 4096 revolutions                                |  | Incremental                  |                                     |                                      |                    |
|--|--------------------|-------|--|--|------------------------------|-------------------------------------|--------------------------------------|--------------------|
|  | Interface          | EnDat | SSI  | EnDat                                    | SSI                          | □TTL                                | □HTL                                 | ~ 1V <sub>pp</sub> |
| <b>For high bearing loads</b>  |                    |       |  |  |                              |                                     |                                      |                    |
| <b>ROD 600</b><br>              | -                  | -     | -  | -  | -                            | <b>ROD 620</b><br>512 to 5000 lines | <b>ROD 630</b><br>512 to 5000 lines  | -                  |
| <b>ROD 1930</b><br>             | -                  | -     | -  | -  | -                            | -                                   | <b>ROD 1930</b><br>600 to 2400 lines | -                  |
| <b>Electronic handwheel</b>  |                    |       |  |  |                              |                                     |                                      |                    |
| <b>HR 1120</b><br>            | -                  | -     | -  | -  | -                            | <b>ERN 421</b><br>1024 lines        | <b>ERN 431</b><br>1024 lines         | -                  |
| <b>For Siemens asynchronous motors</b>   |                    |       |  |  |                              |                                     |                                      |                    |
| <b>ERN 401 series</b><br>     | -                  | -     | -  | -  | -                            | <b>HR 1120</b><br>100 lines         | -                                    | -                  |
| <b>EQN/ERN 400 series</b><br> | -                  | -     | <b>EQN 425</b><br>Positions/rev: 13 bits<br>EnDat 2.1/01 | <b>EQN 425</b><br>Positions/rev: 13 bits | <b>ERN 420</b><br>1024 lines | <b>ERN 430</b><br>1024 lines        | -                                    | -                  |



74



76

For more information, please refer to the respective Product Information document



78



For more information, please refer to the respective Product Information document



For more information, please refer to the respective Product Information document

# Measuring principles

## Measuring standards

HEIDENHAIN encoders with **optical scanning** use measuring standards consisting of periodic structures known as graduations. These precision graduations are applied to a carrier substrate made of glass or steel and are manufactured by means of various photolithographic processes. Graduations are made from the following materials:

- Extremely hard chromium lines on glass
- Matte-etched lines on gold-plated steel tape
- Three-dimensional structures on glass or steel substrates

The photolithographic manufacturing processes developed by HEIDENHAIN allow for typical grating periods ranging from 50 µm down to 4 µm.

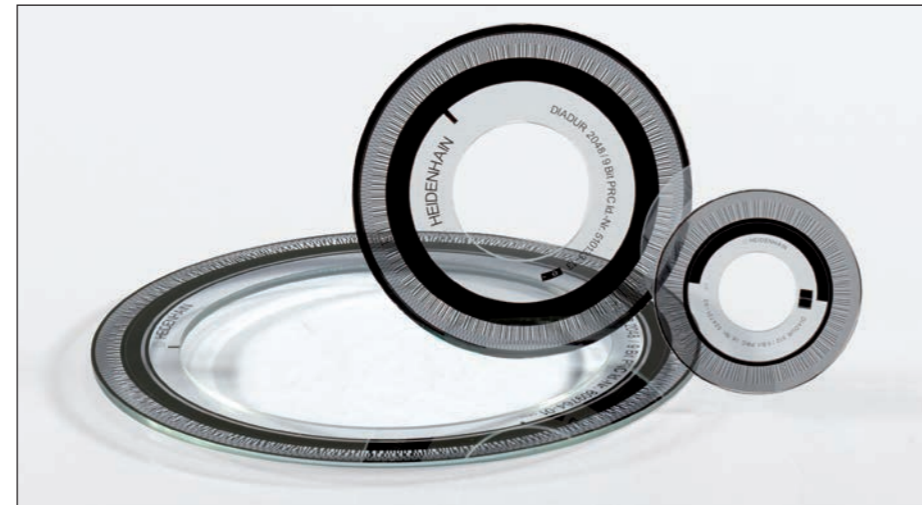
These processes yield fine grating periods characterized by excellent edge definition and high homogeneity. In combination with the photoelectric scanning method, these characteristics are crucial for attaining high-quality output signals.

The master graduations are manufactured by HEIDENHAIN on custom-built, high-precision dividing engines.

Encoders that use the **inductive scanning principle** employ metal graduations or copper/nickel-based graduation structures. These graduation structures are applied to a printed-circuit carrier material.

## Measuring methods

In the **absolute measuring method**, the position value is available immediately upon encoder switch-on and can be requested by the downstream electronics at any time. There is therefore no need to search for the reference position by jogging the axes. The resulting absolute position information **is read from the circular scale**, which exhibits a code structure.



Circular scales of absolute rotary encoders

In the **incremental measuring method**, the graduation consists of a periodic grating structure. Position information is obtained **through the counting** of individual increments (measuring steps) starting from a freely settable point of origin. Since position ascertainment requires an absolute reference, the circular scales have an additional track containing a **reference mark**.



Circular scales of incremental rotary encoders

A separate incremental track is interpolated for the position value and is simultaneously used for generating an optional incremental signal.

**Singletum rotary encoders** repeat the absolute position information with each revolution. **Multitum encoders** can distinguish between additional revolutions.

The absolute position established by the reference mark is assigned to exactly one measuring step.

Thus, before an absolute reference can be established or the most recently selected reference point can be refound, this reference mark must first be traversed.

## Scanning methods

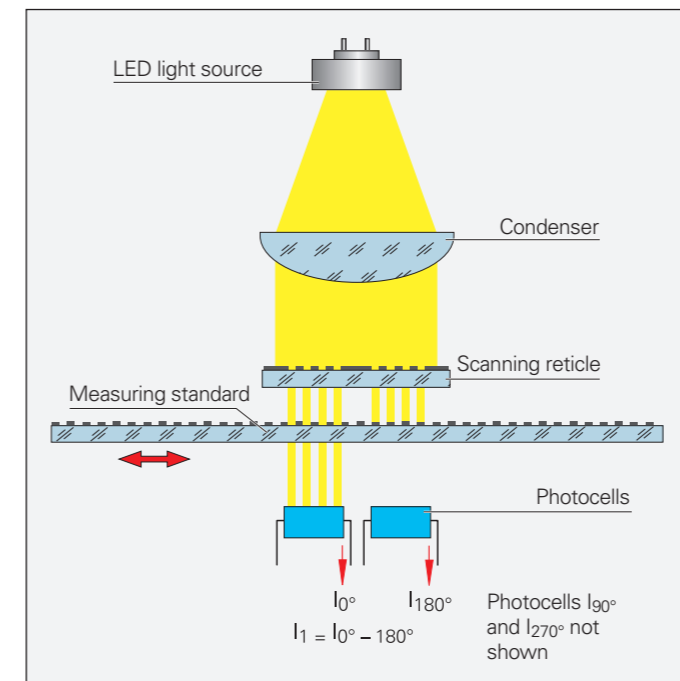
### Photoelectric scanning

Most HEIDENHAIN encoders utilize the photoelectric scanning principle. Photoelectric scanning is performed contact-free and thus does not induce wear. This method detects even extremely fine graduation lines down to a width of only a few micrometers and generates output signals with very small signal periods.

The ECN, EQN, ERN, ROC, ROQ, and ROD rotary encoders utilize the imaging scanning principle.

Put simply, the imaging scanning principle uses projected-light signal generation; for example, two gratings (a scale and a scanning reticle) with the same grating period are moved relative to each other. The carrier material of the scanning reticle is transparent. The graduation on the measuring standard can be applied to either a transparent surface or a reflective surface.

When parallel light passes through a grating structure, light and dark fields are projected at a certain interval. At the place where these fields are projected lies an index grating with the same grating period. When these two graduations move relative to each other, the incident light is modulated: If the gaps are aligned, light passes through. If the lines of one grating coincide with the gaps of the other, no light passes through. Photocells convert these light fluctuations into nearly sinusoidal electrical signals. In encoders that use the imaging scanning principle, workable mounting tolerances are attainable starting at a minimum grating period of 10 µm.



Photoelectric scanning according to the imaging scanning principle

The absolute rotary encoders that use this scanning principle have a single, large, and finely structured photosensor as opposed to a group of discrete photocells. The width of the photosensor's structures is identical to the width of the measuring standard's grating structure. A scanning reticle with a matching structure is therefore not needed.

### Other scanning principles

The EC/EB/EQ rotary encoders utilize the inductive measuring principle. In this case, the graduation structures modulate the amplitude and phase of a high-frequency signal. By means of circumferential scanning, the position value is always generated based on the signals from the receiver coils that are evenly distributed along the circumference.

Rotary encoder accuracy is primarily determined by the following factors:

- The directional error of the radial grating
- The eccentricity of the circular scale relative to the bearing
- The radial runout of the bearing
- The error arising from connection via a shaft coupling; for rotary encoders with stator coupling, this error lies within the system accuracy
- The interpolation error that arises during signal processing in the integrated or external digitizing and interpolation electronics

The following applies to **incremental rotary encoders** with line counts of up to 5000: The maximum direction error at 20 °C ambient temperature and slow rotation (sampling frequency between 1 kHz and 2 kHz) is within

$$\pm \frac{18^\circ \text{ mech.} \cdot 3600}{\text{Line count } z} \text{ [arc seconds]}$$

which equals

$$\pm \frac{1}{20} \text{ grating period.}$$

In the case of ROD rotary encoders, the 6000 to 10 000 signal periods per revolution are generated via signal doubling. The line count must be considered in determining the system accuracy.

For **absolute rotary encoders**, the accuracy of the absolute position values is provided in the specifications of the respective encoder.

For absolute rotary encoders with **complementary incremental signals**, the accuracy depends on the line count:

| Line count | Accuracy                                     |
|------------|--|
| 512        | ±60 arc seconds                              |
| 2048       | ±20 arc seconds                              |
| 2048       | ±10 arc seconds (ROC 425 with high accuracy) |

This accuracy information applies to incremental measurement signals at 20 °C ambient temperature and slow rotation.



# Mechanical design types and mounting

## Rotary encoders with stator coupling

The **ECN/EQN/ERN** rotary encoders feature integrated bearings and a mounted stator coupling. The stator coupling compensates for radial runout and alignment errors without significantly reducing the accuracy. The rotary encoder shaft is directly connected to the measured shaft. During angular acceleration of the shaft, the stator coupling must absorb only the torque resulting from friction within the bearing. The stator coupling permits a certain amount of axial motion in the measured shaft:

**ECN/EQN/ERN 400:** ±1 mm

**ECN/EQN/ERN 1000:** ±0.5 mm

**ECN/ERN 100:** ±1.5 mm

### Mounting

The hollow shaft of the rotary encoder is slid onto the measured shaft and fastened on the rotor side by two screws or three eccentric clamps. Rotary encoders with a hollow through shaft can be clamped on the housing side as well. Particularly well suited for repeated mounting are the ECN/EQN/ERN 1300 series rotary encoders featuring a tapered shaft (see the *Encoders for Servo Drives* brochure). Stator-side mounting is performed on a plane surface without a centering collar. The **universal stator coupling** of the ECN/EQN/ERN 400 accommodates a variety of mounting scenarios; for example, it can be mounted to the motor housing from the outside via the provided threads.

Mechanical fault exclusion is possible for the ECN/EQN/ERN 400 series rotary encoders featuring a standard stator coupling and blind hollow shaft.

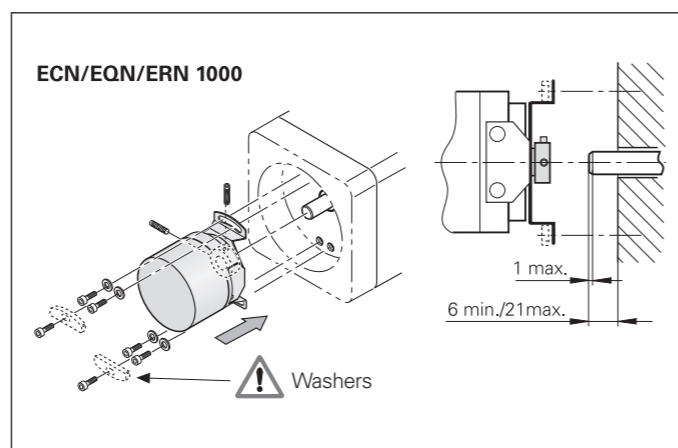
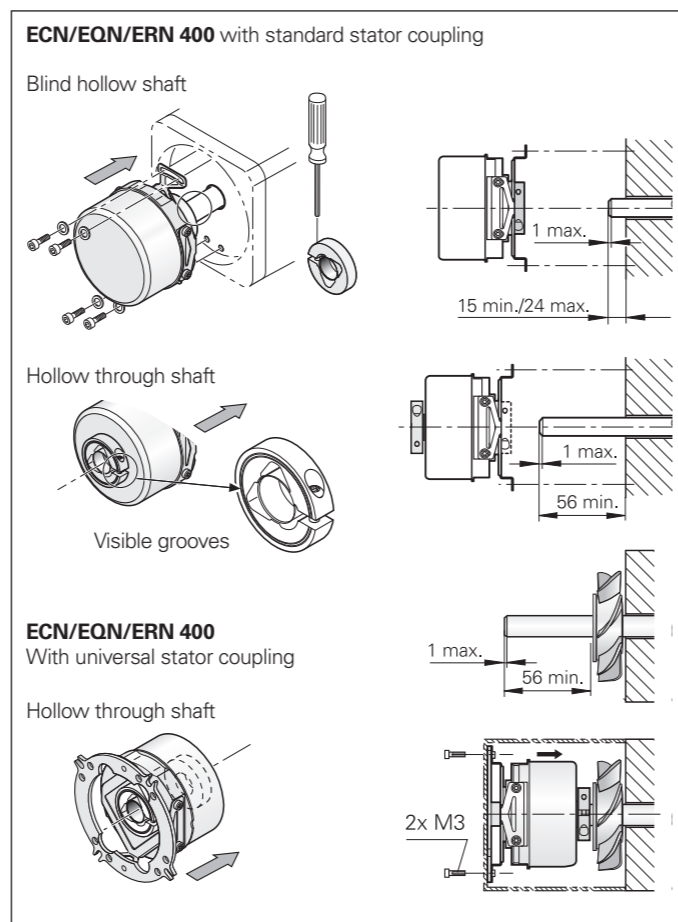
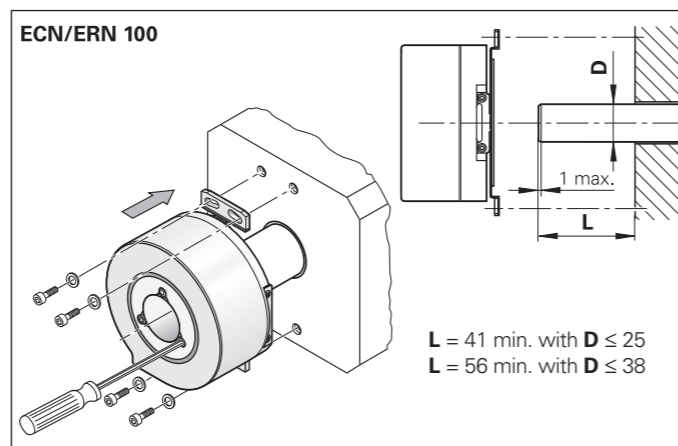
Dynamic applications require the highest possible natural frequencies  $f_N$  of the system's coupling (see also General mechanical information). These natural frequencies can be attained through the shaft clamping on the flange side and a coupling with four screws. The ECN/EQN/ERN 1000 encoders offer an alternative with two screws and two washers.

Typical natural frequency  $f_N$  of the connection with stator-side coupling via four screws:

|                         | Stator coupling | Cable                 | Flange socket |         |
|-------------------------|-----------------|-----------------------|---------------|---------|
|                         |                 |                       | Axial         | Radial  |
| <b>ECN/EQN/ERN 400</b>  | Standard        | 1550 Hz               | 1500 Hz       | 1000 Hz |
|                         | Universal       | 1400 Hz <sup>1)</sup> | 1400 Hz       | 900 Hz  |
| <b>ECN/ERN 100</b>      |                 | 1000 Hz               | –             | 400 Hz  |
| <b>ECN/EQN/ERN 1000</b> |                 | 1500 Hz <sup>2)</sup> | –             | –       |

<sup>1)</sup> Also with fastening via two screws

<sup>2)</sup> Also with fastening via two screws and washers



### Mounting accessories

#### Clamping ring

For the ECN/EQN/ERN 400 Through the use of a second clamping ring, the maximum mechanically permissible shaft speed of rotary encoders with a hollow through shaft can be increased up to 12000 rpm. ID 540741-xx

In the case of safe, hollow-shaft connections, repeated fastening reduces the screw force. In order to maintain the required safety factor for friction-type connections, the maximum number of permissible screw tightening repetitions is limited to four. Beyond this number of repetitions, mechanical fault exclusion cannot be guaranteed. In such cases, new clamping rings must be ordered separately.

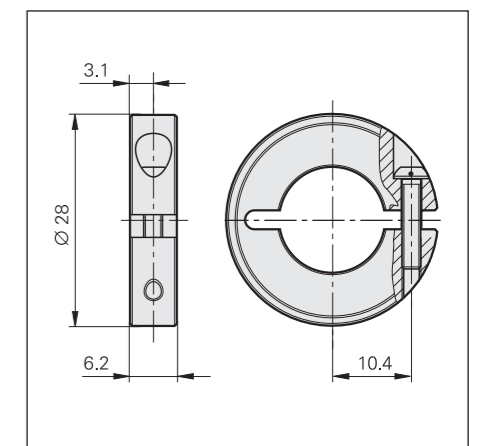
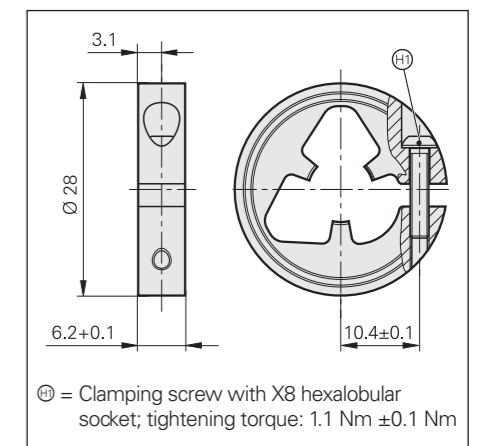
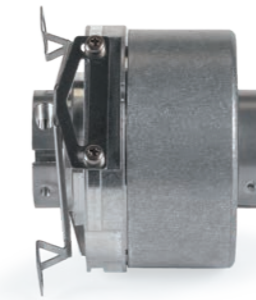
Clamping ring for 10 mm ID 540741-06  
Clamping ring for 12 mm ID 540741-07

When **high shaft loads** are involved, such as with friction wheels, pulleys, or sprockets, HEIDENHAIN recommends mounting the ECN/EQN/ERN 400 with a bearing assembly.

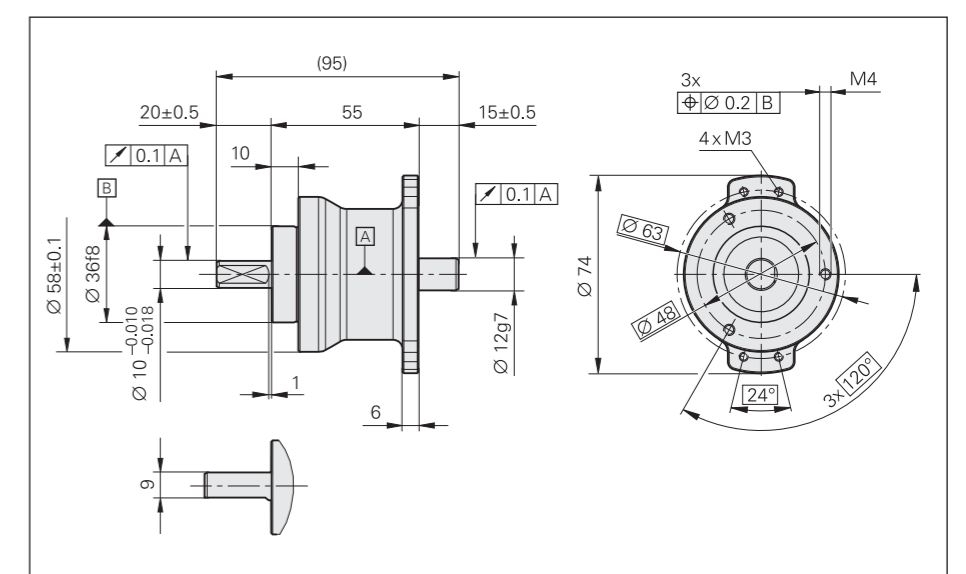
#### Bearing assembly

For the ECN/EQN/ERN 400 with blind hollow shaft ID 574185-03

The bearing assembly is able to absorb large radial shaft loads and prevents overloading of the encoder bearing. On the encoder side, the bearing assembly features a shaft stub with a diameter of 12 mm, thus making it suitable for the ECN/EQN/ERN 400 encoders featuring a blind hollow shaft. The threaded holes for fastening the stator coupling are also already provided. The flange of the bearing assembly has the same dimensions as those of the clamping flange for the ROD 420/430 series. The bearing assembly can be fastened via the threaded holes on its front face or with the aid of the mounting flange or the mounting bracket (see page 21 for both).



|                               | Bearing assembly            |
|-------------------------------|-----------------------------|
| <b>Permiss. shaft speed n</b> | ≤ 6000 rpm                  |
| <b>Shaft load</b>             | Axial: 150 N; radial: 350 N |
| <b>Operating temperature</b>  | –40 °C to 100 °C            |
| <b>Protection EN 60529</b>    | IP64                        |



## Mounting accessories

### Washer

For the ECN/EQN/ERN 1000  
For increasing the natural frequency  $f_N$   
when fastening with only two screws  
ID 334653-01

### Torque supports for the ECN/EQN/ERN 400

In simpler applications with the ECN/EQN/ERN 400, the stator coupling can be replaced by torque supports. The following mounting kits are available:

#### Wire torque support

The stator coupling is replaced by a metal plate to which the included wire is fastened as a coupling.  
ID 510955-01



#### Pin torque support

In place of a stator coupling, a "synchro flange" is fastened via screws. Torque support is provided by a pin mounted axially or radially on the flange. Alternatively, the pin can be inserted on the customer side, and a guide on the encoder's flange is then used for the pin coupling.  
ID 510861-01



## General accessories

### Screwdriver bits

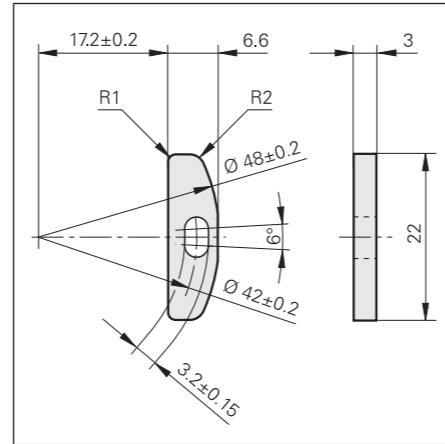
- For HEIDENHAIN shaft couplings
- For ExN 100/400/1000 shaft clampings
- For ERO shaft clampings

### Screwdriver

Adjustable torque; accuracy:  $\pm 6\%$   
0.2 Nm to 1.2 Nm ID 350379-04  
1 Nm to 5 Nm ID 350379-05



<sup>1)</sup> For DIN 6912 screws  
(low head screw with pilot recess)



| Width across flats               | Length          | ID                     |
|----------------------------------|-----------------|------------------------|
| 1.5                              | 70 mm           | 350378-01              |
| 1.5 (spherical head)             |                 | 350378-02              |
| 2                                |                 | 350378-03              |
| 2 (spherical head)               |                 | 350378-04              |
| 2.5                              |                 | 350378-05              |
| 3 (spherical head)               |                 | 350378-08              |
| 4                                |                 | 350378-07              |
| 4 (with dog point) <sup>1)</sup> |                 | 350378-14              |
| TX8                              | 89 mm<br>152 mm | 350378-11<br>350378-12 |
| TX15                             | 70 mm           | 756768-42              |

## Rotary encoders for separate shaft coupling

The **ROC/ROQ/ROD** rotary encoders feature an integral bearing and a solid shaft. The encoder shaft is connected to the measured shaft with a separate shaft coupling. This coupling compensates for axial movement and misalignment (radial and angular misalignment) between the rotary encoder and the drive shaft. Thus, the encoder bearing is not subjected to additional external loads, and its service life remains unaffected. Diaphragm and metal bellows couplings are available for rotor-side connection of the ROC/ROQ/ROD encoders (see page 24).

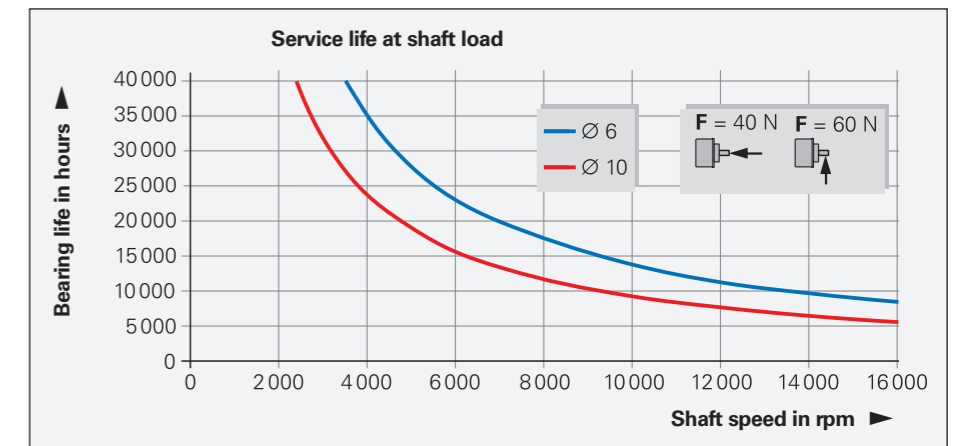
The ROC/ROQ/ROD 400 and ROD 600 series rotary encoders permit high bearing loads (see diagrams). When high loads are involved, such as with friction wheels, pulleys, or sprockets, HEIDENHAIN recommends using an ECN/EQN/ERN 400 mounted to a bearing assembly. For very high bearing loads, the ROD 1930 is a suitable choice.



The shafts to be connected must be mounted with minimum relative offset to each other. For typical mounting tolerances, refer to the "Kinematic transfer error" on page 24.

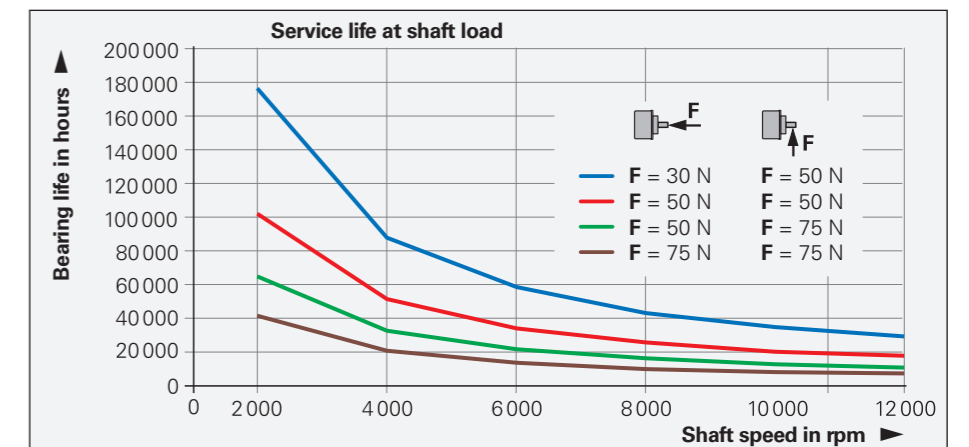
### Bearing service life of the ROC/ROQ/ROD 400

The expected service life of the encoder bearing depends on the shaft load, the point of applied force, and the shaft speed. The *Specifications* provide the maximum shaft loads permitted at the end of the shaft. The relationship between the bearing service life and shaft speed under maximum shaft load for 6 mm and 10 mm shaft diameters is shown in the upper diagram. Under an axial load of 10 N and a radial load of 20 N at the shaft end, the expected bearing service life at maximum shaft speed is greater than 40000 hours.



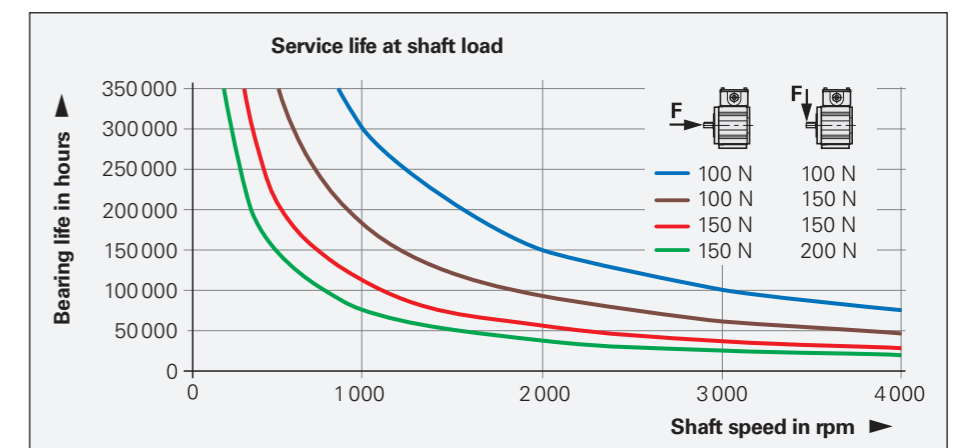
### Bearing life of the ROD 600

Rotary encoders of the ROD 600 series are designed for a long service life under high bearing loads.



### Bearing service life of the ROD 1930

The ROD 1930 is designed for a long service life under very high bearing loads.

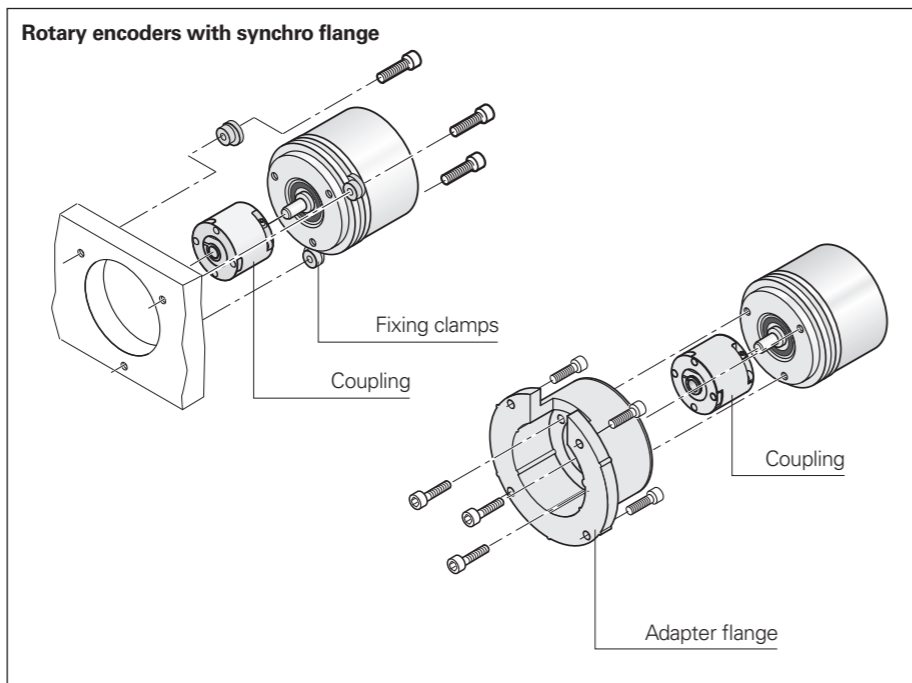


## Rotary encoders with synchro flange

### Mounting

- Via the synchro flange with three fixing clamps, or
- To an adapter flange via the fastening screw threads on the front face (for ROC/ROQ/ROD 400)

Mechanical fault exclusion is possible upon consultation with HEIDENHAIN in Traunreut, Germany.



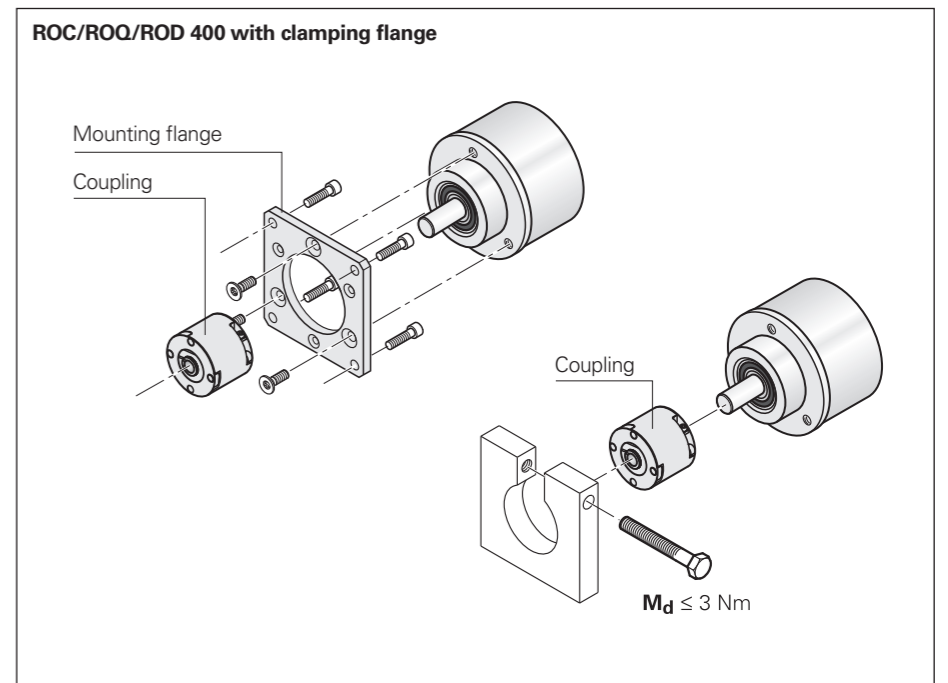
## Rotary encoders with clamping flange

### Mounting

- To a mounting flange via the fastening threads on the front face, or
- Via clamping on the clamping flange, or
- With three fixing clamps (for encoders with an additional groove on the clamping flange)

Centering is performed via the centering collar on the synchro flange or via the clamping flange.

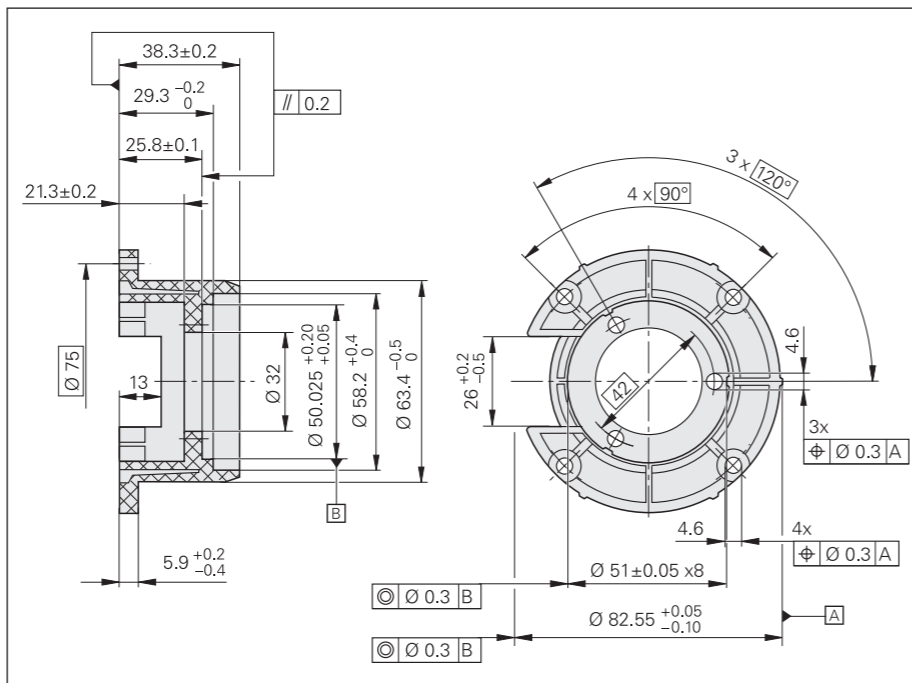
Mechanical fault exclusion is possible upon consultation with HEIDENHAIN in Traunreut, Germany.



## Mounting accessories

### Adapter flange

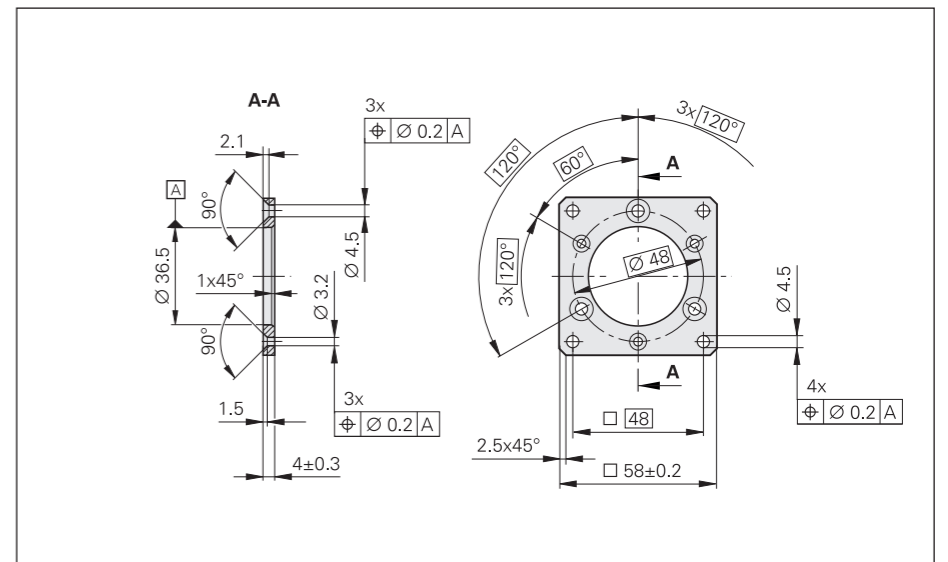
(electrically non-conductive)  
ID 257044-01



## Mounting accessories

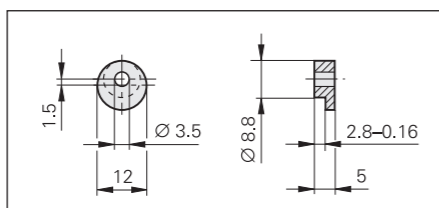
### Mounting flange

ID 201437-01



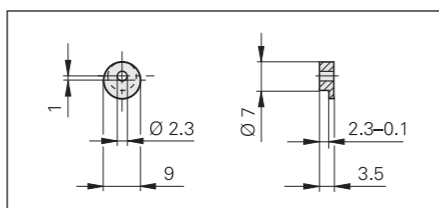
### Fixing clamps

For the ROC/ROQ/ROD 400 series  
(three per encoder)  
ID 200032-01



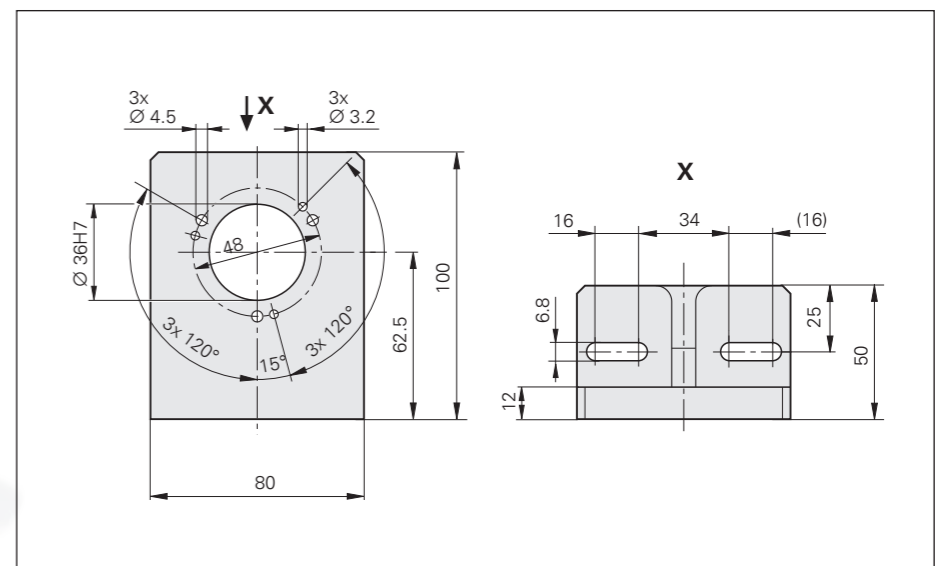
### Fixing clamps

For the ROC/ROQ/ROD 1000 series  
(three per encoder)  
ID 200032-02



### Mounting bracket

ID 581296-01



## Rotary encoder with flange/base mounting

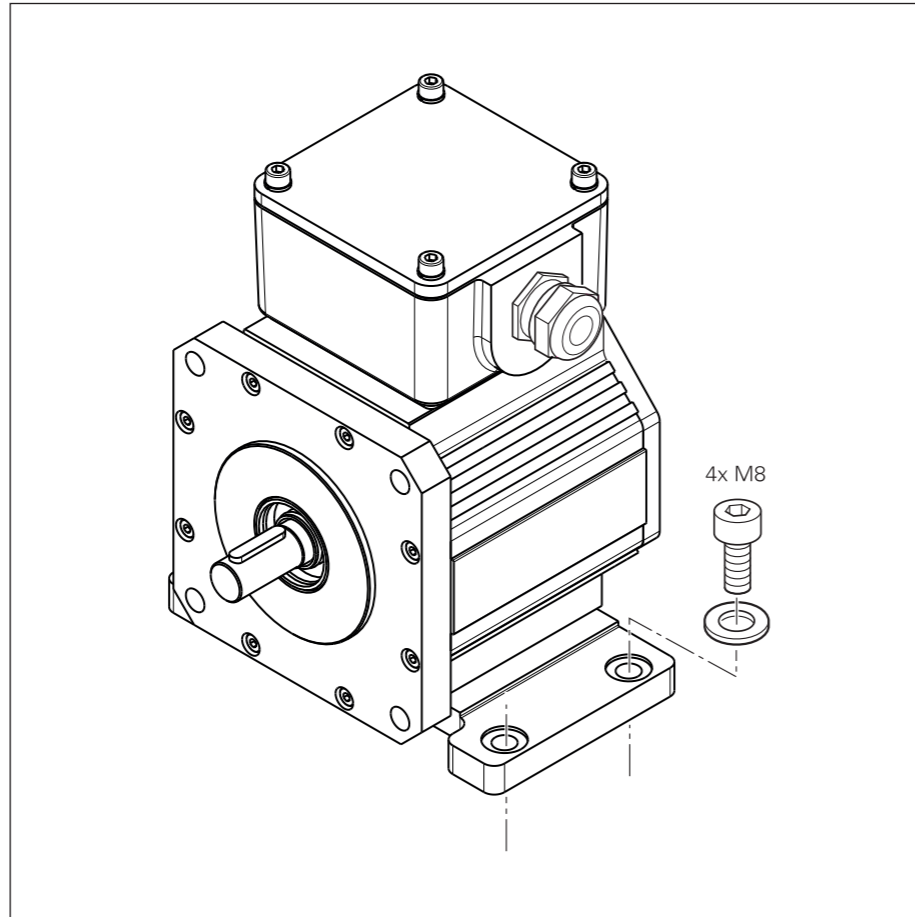
### Mounting

- Via mounting flange, or
  - Via base
- Fastening is performed with four M8 screws.

The terminal box can be mounted at any 90° orientation.

### Shaft coupling

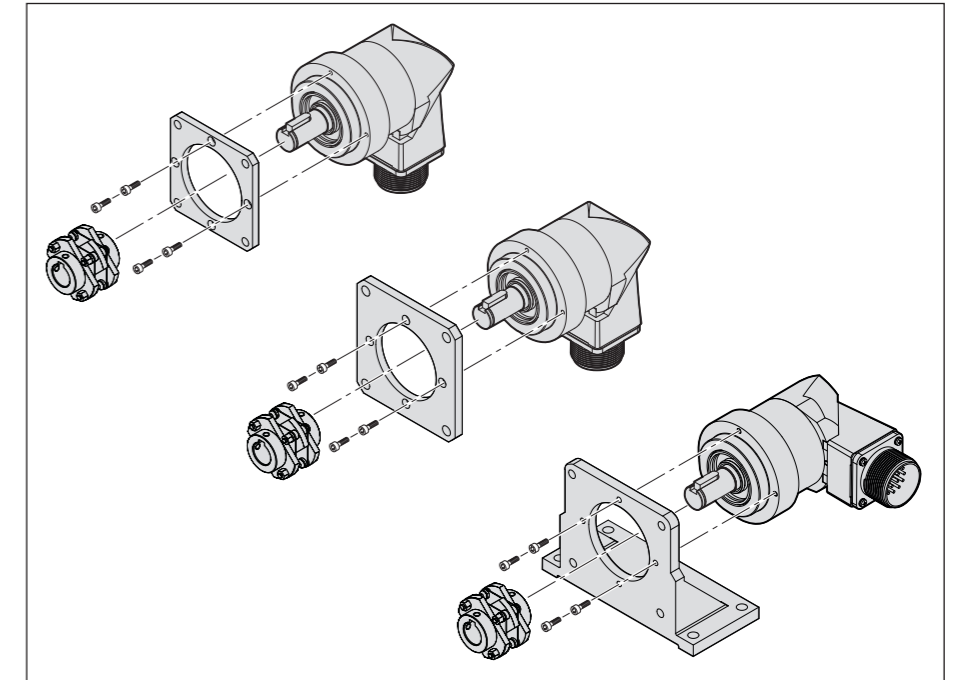
For optimum torque transmission, the encoder shaft is equipped with a key. The C19 and C 212 couplings, which are available as accessories, feature a matching keyway.



## ROD 600 rotary encoder with clamping flange

### Mounting

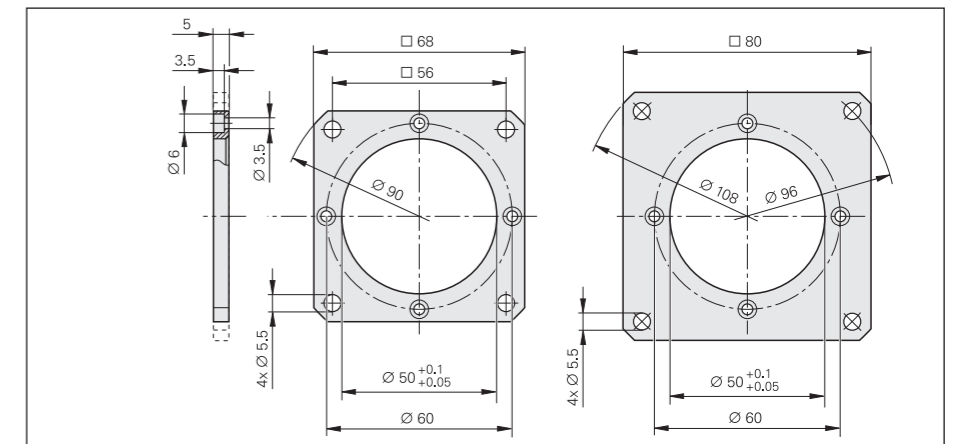
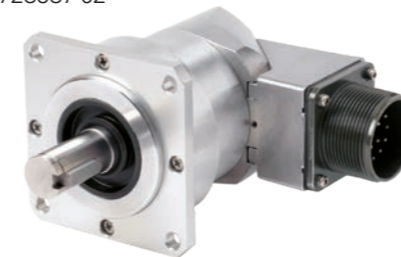
- To a mounting flange via the fastening threads on the front face



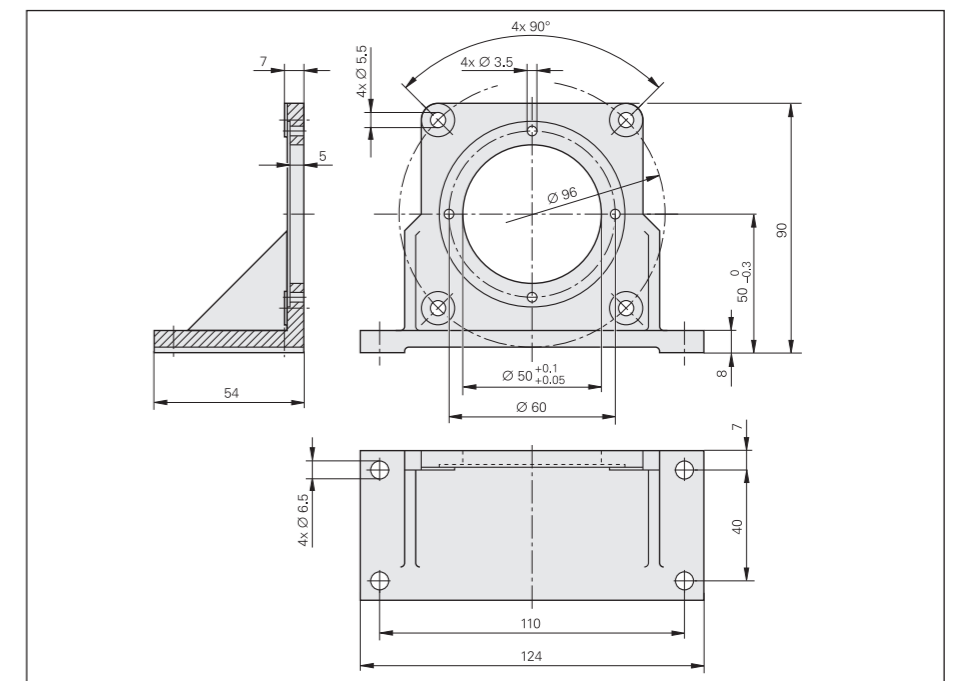
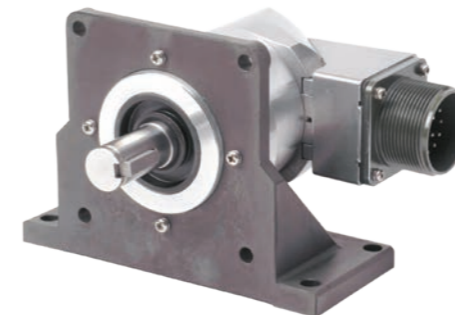
### Mounting accessories

**Mounting flange, small**  
ID 728587-01

**Mounting flange, large**  
ID 728587-02



**Mounting bracket**  
ID 728587-03

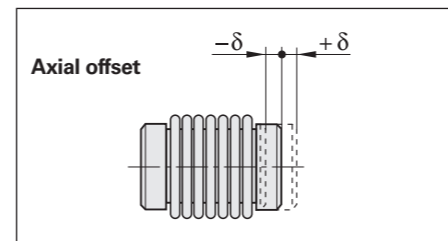
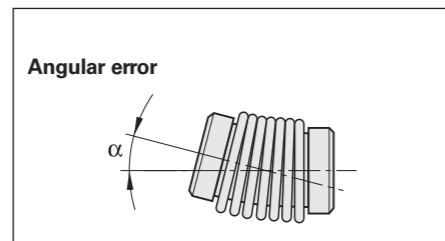
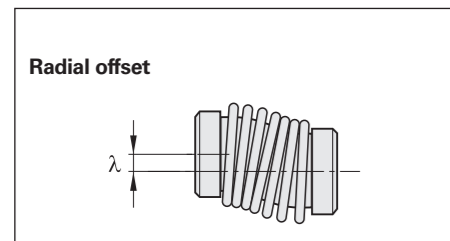


mm  
 Tolerancing ISO 8015  
 ISO 2768 - m H  
 ≤ 6 mm: ±0.2 mm

# Shaft couplings

|  | ROC/ROQ/ROD 400                    |                                    |                                    |                                    | ROD 1930<br>ROD 600                 |          | ROC/ROQ/<br>ROD 1000              |
|--|------------------------------------|------------------------------------|------------------------------------|------------------------------------|-------------------------------------|----------|-----------------------------------|
|  | Diaphragm coupling                 |                                    |                                    |                                    | Diaphragm coupling                  |          | Metal bellows<br>coupling         |
|  | K 14                               | K 17/01<br>K 17/06                 | K 17/02<br>K 17/04<br>K 17/05      | K 17/03                            | C 19                                | C 212    | 18 EBN 3                          |
| Hub bore                                       | 6/6 mm                             | 6/6 mm<br>6/5 mm                   | 6/10 mm<br>10/10 mm<br>6/9.52 mm   | 10/10 mm                           | 15/15                               |          | 4/4 mm                            |
| Galvanic isolation                             | –                                  | ✓                                  | ✓                                  | ✓                                  | –                                   | ✓        | –                                 |
| Kinematic transfer error*                      | ±6"                                | ±10"                               |                                    |                                    | ±13"                                |          | ±40"                              |
| Torsional rigidity                             | 500 $\frac{\text{Nm}}{\text{rad}}$ | 150 $\frac{\text{Nm}}{\text{rad}}$ | 200 $\frac{\text{Nm}}{\text{rad}}$ | 300 $\frac{\text{Nm}}{\text{rad}}$ | 1700 $\frac{\text{Nm}}{\text{rad}}$ |          | 60 $\frac{\text{Nm}}{\text{rad}}$ |
| Torque   | ≤ 0.2 Nm                           | ≤ 0.1 Nm                           |                                    | ≤ 0.2 Nm                           | ≤ 3.9 Nm                            | ≤ 5 Nm   | ≤ 0.1 Nm                          |
| Radial offset $\lambda$                        | ≤ 0.2 mm                           | ≤ 0.5 mm                           |                                    |                                    | ≤ 0.3 mm                            |          | ≤ 0.2 mm                          |
| Angular error $\alpha$                         | ≤ 0.5°                             | ≤ 1°                               |                                    |                                    | ≤ 1.5°                              |          | ≤ 0.5°                            |
| Axial offset $\delta$                          | ≤ 0.3 mm                           | ≤ 0.5 mm                           |                                    |                                    | ≤ 1.7 mm                            |          | ≤ 0.3 mm                          |
| Moment of inertia (approx.)                    | $6 \cdot 10^{-6} \text{ kgm}^2$    | $3 \cdot 10^{-6} \text{ kgm}^2$    |                                    | $4 \cdot 10^{-6} \text{ kgm}^2$    | $15 \cdot 10^{-6} \text{ kgm}^2$    |          | $0.3 \cdot 10^{-6} \text{ kgm}^2$ |
| Permiss. shaft speed                           | 16000 rpm                          |                                    |                                    |                                    | 20000 rpm                           | 6000 rpm | 12000 rpm                         |
| Tightening torque of clamping screws (approx.) | 1.2 Nm                             |                                    |                                    |                                    | 1.37 Nm                             |          | 0.8 Nm                            |
| Mass   | 35 g                               | 24 g                               | 23 g                               | 275 g                              | 75 g                                |          | 9 g                               |

\* With typical mounting tolerances: radial offset  $\lambda = 0.1 \text{ mm}$ ; angular error  $\alpha = 0.09^\circ$  (0.15 mm over 100 mm)



## Mounting accessories

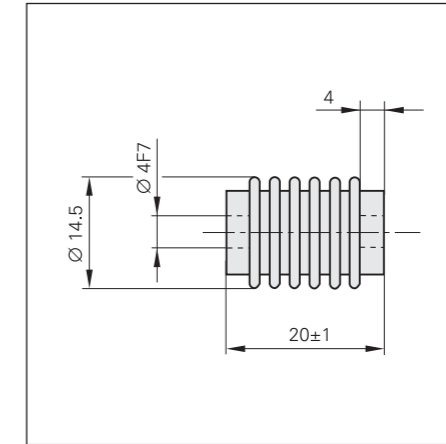
### Screwdriver bits

### Screwdriver

See page 18.

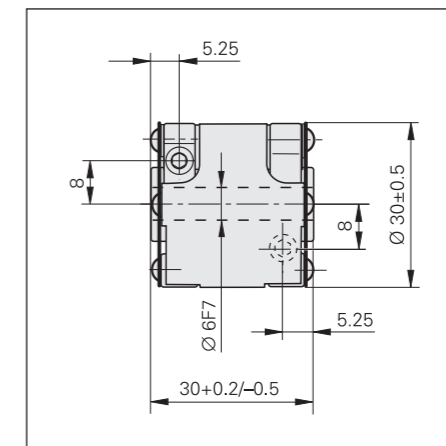
## 18 EBN 3 metal bellows coupling

For the ROC/ROQ/ROD 1000 series with **4 mm shaft diameter**  
ID 200393-02



## K 14 diaphragm coupling

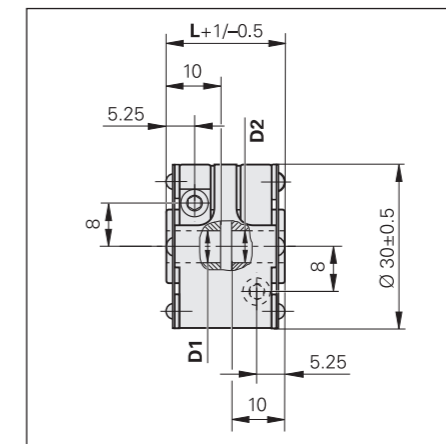
For the ROC/ROQ/ROD 400 series with **6 mm shaft diameter**  
ID 293328-01



Recommended fit for the mating shaft: h6

## Diaphragm coupling K 17

With galvanic isolation  
For the ROC/ROQ/ROD 400 series with **6 mm or 10 mm shaft diameter**  
ID 1246841-xx



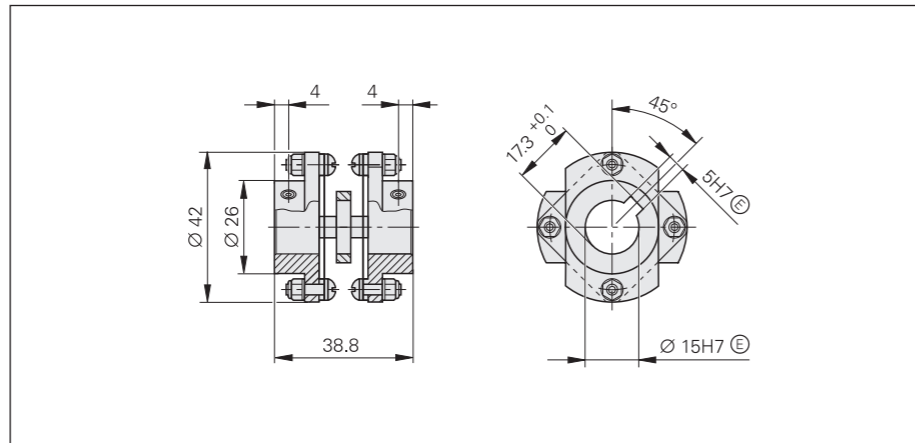
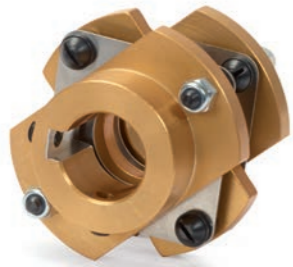
| K 17 Variant | D1      | D2        | L     |
|--------------|---------|-----------|-------|
| 01           | ∅ 6 F7  | ∅ 6 F7    | 22 mm |
| 02           | ∅ 6 F7  | ∅ 10 F7   | 22 mm |
| 03           | ∅ 10 F7 | ∅ 10 F7   | 30 mm |
| 04           | ∅ 10 F7 | ∅ 10 F7   | 22 mm |
| 05           | ∅ 6 F7  | ∅ 9.52 F7 | 22 mm |
| 06           | ∅ 5 F7  | ∅ 6 F7    | 22 mm |

mm  
Tolerancing ISO 8015  
ISO 2768 - m H  
≤ 6 mm: ±0.2 mm

## General mechanical information

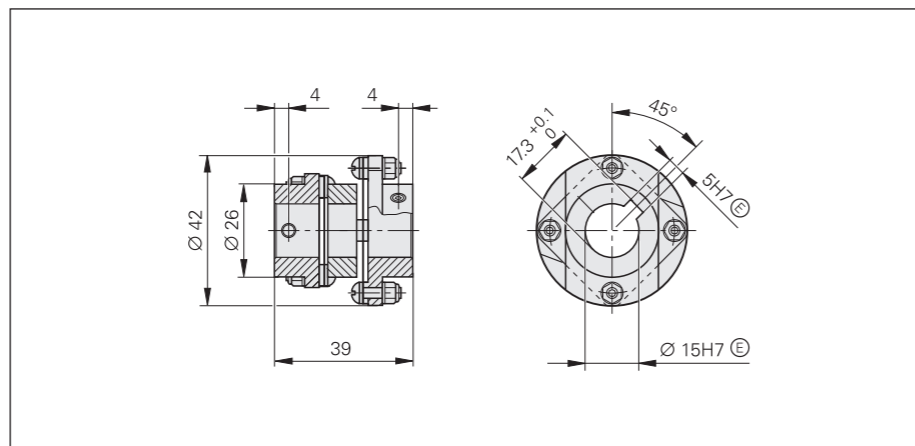
### C 19 diaphragm coupling

For the ROD 1930 and ROD 600 rotary encoders with 15 mm shaft diameter and key ID 731374-01



### C 212 diaphragm coupling

With galvanic isolation  
For the ROD 1930 and ROD 600 rotary encoders with 15 mm shaft diameter and key ID 731374-02



mm  
Tolerancing ISO 8015  
ISO 2768 - m H  
≤ 6 mm: ±0.2 mm

### Certification by NRTL (Nationally Recognized Testing Laboratory)

All of the rotary encoders in this brochure comply with the UL safety regulations for the U.S. and with the CSA safety regulations for Canada.

### Accelerations

During mounting and operation, encoders are subjected to various types of acceleration.

#### • Vibration

The encoders are qualified on a test stand under the acceleration values stated in the specifications at frequencies of 55 Hz to 2000 Hz in accordance with EN 60068-2-6. However, if the application or mounting situation causes long-duration resonant vibration, then proper functioning of the encoder may be impaired, or the encoder itself may incur damage.

**Thorough testing of the complete system is therefore required.**

#### • Shock

The encoders are qualified on a test stand under the acceleration values stated in the specifications and under the exposure times in accordance with EN 60068-2-27 for non-repetitive, semi-sinusoidal shock. **Continuous shock loads** are therefore not covered and **must be tested in the application.**

- The **maximum angular acceleration** is  $10^5 \text{ rad/s}^2$ . This is the maximum permissible angular acceleration of the rotor without the encoder incurring damage. The actual attainable angular acceleration is within the same order of magnitude but can vary depending on the type of shaft connection (for deviating values for the ECN/ERN 100, see the *Specifications*). An adequate safety factor must be determined through system tests.

Deviating values for rotary encoders with functional safety are provided in the corresponding Product Information documents.

### Humidity

The maximum permissible relative humidity is 75 %. A relative humidity of 93 % is temporarily permissible. Condensation is not permissible.

### Magnetic fields

Magnetic fields > 30 mT can affect encoder functioning. Please contact HEIDENHAIN in Traunreut, Germany, as needed.

### Natural frequencies

With the ROC/ROQ/ROD rotary encoders, the rotor and the shaft coupling together form an oscillation-capable spring-mass system. In the case of the ECN/EQN/ERN, this applies to the stator and stator coupling.

The **natural frequency  $f_N$**  should be as high as possible. In order for the highest possible natural frequency to be attained with the **ROC/ROQ/ROD rotary encoders**, a diaphragm coupling with a high torsional rigidity C must be used (see *Shaft couplings*).

$$f_N = \frac{1}{2 \times \pi} \cdot \sqrt{\frac{C}{I}}$$

$f_N$ : Natural frequency of the coupling in Hz  
C: Torsional rigidity of the coupling in Nm/rad  
I: Moment of inertia of the rotor in  $\text{kgm}^2$

In conjunction with the stator coupling, the **ECN/EQN/ERN** rotary encoders form an oscillation-capable spring-mass system whose **natural frequency  $f_N$**  of the coupling in the direction of measurement should be as high as possible. The natural frequency of the coupling is influenced by the rigidity of the stator coupling and by the customer-side mounting situation. The stated typical natural frequencies may vary depending on the encoder variant (e.g., singleturn or multiturn), production tolerances, and differing mounting conditions. If radial and/or axial acceleration forces also come into play, then the rigidity of the encoder bearing and of the encoder stator has an effect as well. If such loads occur within your application, HEIDENHAIN recommends consulting with the main facility in Traunreut.

HEIDENHAIN generally recommends determining the natural frequency of the stator coupling in the complete system.

### Starting torque and operating torque

The starting torque is the torque required to put the rotor into motion from standstill. If the rotor is already rotating, then a certain operating torque is acting on the encoder. The starting torque and operating torque are influenced by various factors, such as the temperature, prior standstill time, and the amount of wear on the bearings and seals.

The typical values stated in the specifications are mean values based on encoder-specific test series performed at room temperature and at a stabilized operating temperature. The typical operating torques are also based on constant shaft speeds. For applications in which the torque has a significant influence, HEIDENHAIN recommends consulting with the main facility in Traunreut.

### Protection against contact (EN 60529)

After completed installation of the encoder, any rotating parts must be sufficiently protected from unintentional contact during operation.

### Protection (EN 60529)

The ingress of contamination can impair proper functioning of the encoder. Unless otherwise indicated, all of the rotary encoders have an IP64 rating (ExN/ROx 400: IP67) in accordance with EN 60529. These specifications apply to the housing, cable outlet, and flange socket versions when engaged.

The **shaft inlet** meets an IP64 rating. Splash water must not be allowed to have any harmful effect on the encoder's parts. If the protection rating of the shaft inlet is not sufficient (e.g., due to vertical mounting of the encoder), then the encoders should be additionally protected with labyrinth seals. Many encoders are also available with an IP66 rating for the shaft inlet. Depending on the application, the radial shaft seal rings used for sealing are subjected to wear due to friction.

### Noise emission

Running noise can occur during operation. This is particularly true of encoders with integral bearing and multiturn rotary encoders (with gears). The intensity may vary depending on the mounting situation and shaft speed.

### System tests

Encoders from HEIDENHAIN are usually integrated as components into complete systems. Such applications require **comprehensive testing of the complete system**, irrespective of the encoder's specifications.

The specifications provided in this brochure apply only to the encoder and not to the complete system. Any operation of the encoder outside of the specified range or outside of its proper and intended use is solely at the user's own risk.

### Mounting

The steps and dimensions that must be complied with during mounting are specified solely in the mounting instructions supplied with the device. All mounting-related information in this brochure is therefore only provisional and non-binding, and will not become the subject matter of a contract.

All provided information on screw connections assumes a mounting temperature of 15 °C to 35 °C.

### Screws with material bonding anti-rotation lock

Mounting screws and central screws from HEIDENHAIN (not included in delivery) feature a coating that, after hardening, provides a material bonding anti-rotation lock. As a result, these screws cannot be reused. Their minimum shelf life is two years (storage at ≤ 30 °C and ≤ 65 % relative humidity). Their expiration date is printed on the package.

Screw insertion and the application of tightening torque must therefore be completed within five minutes. The required strength is reached at room temperature after six hours. The lower the temperature, the longer the curing process will take. Curing temperatures below 5 °C are not permissible.

Screws with material bonding anti-rotation lock must not be used more than once. If a replacement becomes necessary, recut the threads and use new screws. On threaded holes, a chamfer is required in order to keep the adhesive coating from being scraped off.

For the fault exclusion design for functional safety, the following material properties and conditions for the mating surfaces are assumed.

|  | Aluminum  | Steel  |
|--|---|--|
| <b>Material type</b>   | Hardenable wrought aluminum alloys  | Unalloyed hardened steel   |
| <b>Tensile strength <math>R_m</math></b>                                       | ≥ 220 N/mm <sup>2</sup>   | ≥ 600 N/mm <sup>2</sup>  |
| <b>Yield strength <math>R_{p0.2}</math> or yield point <math>R_e</math></b>    | Not applicable  | ≥ 400 N/mm <sup>2</sup>  |
| <b>Shear strength <math>\tau_a</math></b>                                      | ≥ 130 N/mm <sup>2</sup>   | ≥ 390 N/mm <sup>2</sup>  |
| <b>Interface pressure <math>p_G</math></b>                                     | ≥ 250 N/mm <sup>2</sup>   | ≥ 660 N/mm <sup>2</sup>  |
| <b>Elastic modulus E (at 20 °C)</b>  | 70 kN/mm <sup>2</sup> to 75 kN/mm <sup>2</sup>  | 200 kN/mm <sup>2</sup> to 215 kN/mm <sup>2</sup>                               |
| <b>Coefficient of thermal expansion <math>\alpha_{therm}</math> (at 20 °C)</b> | ≤ 25 · 10 <sup>-6</sup> K <sup>-1</sup>   | 10 · 10 <sup>-6</sup> K <sup>-1</sup> to 17 · 10 <sup>-6</sup> K <sup>-1</sup> |
| <b>Surface roughness Rz</b>  | ≤ 16 μm   |  |
| <b>Friction values</b>   | Mounting surfaces must be clean and free of grease. Use screws and washers in their condition as delivered. |  |
| <b>Tightening procedure</b>  | Use a signal-emitting torque wrench in accordance with DIN EN ISO 6789, with an accuracy of ±6 %            |  |
| <b>Mounting temperature</b>  | 15 °C to 35 °C  |  |

Rotary encoders can exert a torque of 1 Nm on the mating shaft. The mating mechanics must be designed for this load. If further requirements must be complied with, then these are provided in the respective Product Information document.

### Modifications to the encoder

The proper functioning and accuracy of encoders from HEIDENHAIN are ensured only if the encoders have not been modified. Any modification, even a minor one, can impair the proper functioning, reliability, and safety of the encoders, and result in a loss of warranty. This also includes the use of any additional or non-prescribed locking varnishes, lubricants (e.g., for screws), or adhesives. If you are in doubt, we recommend that you consult with HEIDENHAIN in Traunreut, Germany.

### Conditions for longer storage times

For a storage period of twelve months or longer, HEIDENHAIN recommends the following:

- Leave the encoders in their original packaging
- The storage location should be dry, free of dust, and temperature-regulated. It should also be free of vibration, mechanical shock, and chemical environmental influences
- Every twelve months, rotate the shafts of the encoders with integral bearing at low speed and without axial or radial shaft loading so that the bearing lubrication becomes evenly redistributed (e.g., such as when first breaking in an encoder)

### Parts subject to wear

Encoders from HEIDENHAIN are designed for a long service life. Preventive maintenance is not required. However, they do contain components that are subject to wear, depending on the application and how they are deployed. This especially applies to cables that are subjected to frequent flexing. Other parts subject to wear are the bearings in encoders with integral bearing, the radial shaft seal rings in rotary encoders and angle encoders, and the sealing lips on linear encoders.

In order to avoid damage from current flows, some rotary encoders are available with hybrid bearings. In general, these bearings exhibit greater wear at high temperatures than standard bearings.

### Service life

Unless otherwise specified, HEIDENHAIN encoders are designed for a service life of 20 years, which is equivalent to 40000 operating hours under typical operating conditions.

### Temperature ranges

For encoders still in their packaging, a **storage temperature range** of -30 °C to 65 °C applies (HR 1120: -30 °C to 70 °C). The **operating temperature range** specifies the temperatures that a rotary encoder is permitted to reach during operation in the actual installation environment. Within this range, proper functioning of the rotary encoder is ensured. The operating temperature is measured at the defined measuring point (see dimension drawing) and must not be confused with the ambient temperature.

The temperature of the rotary encoder is influenced by the following factors:

- The mounting conditions
- The ambient temperature
- The encoder's susceptibility to self-heating

An encoder's susceptibility to self-heating depends both on its design characteristics (stator coupling / solid shaft, shaft sealing ring, etc.) and on its operating parameters (shaft speed, supply voltage). A temporary period of heightened self-heating can also occur after very long breaks in operation (of several months). Please allow for a two-minute break-in period at low shaft speeds. The greater susceptibility to self-heating that an encoder exhibits, the lower the ambient temperature needs to be in order to keep the encoder within its permissible operating temperature range.

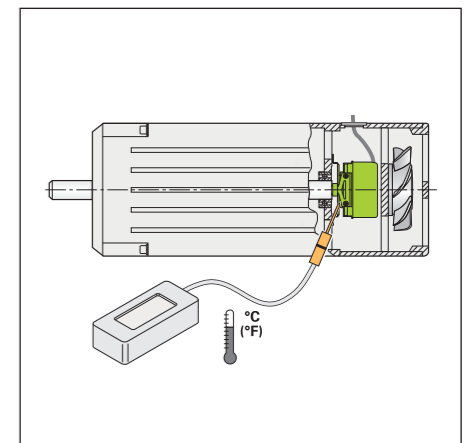
This table shows the approximate self-heating values to be expected for the rotary encoders. In the worst case, the amount of self-heating may be affected by multiple operating parameters, such as a 30 V supply voltage and maximum shaft speed. Thus, if an encoder is being operated close to its maximum permissible specifications, then the actual operating temperature should be measured directly at the encoder. Suitable measures must then be taken (fan, heat sinks, etc.) to sufficiently reduce the ambient temperature so that the maximum permissible operating temperature will not be exceeded during continuous operation.

For high shaft speeds at the maximum permissible ambient temperature, special versions with a reduced protection rating are available (without a radial shaft seal ring and its concomitant frictional heat).

### Self-heating at shaft speed $n_{max}$

|   |  |
|---|--|
| <i>Solid shaft / tapered shaft</i><br><b>ROC/ROQ/ROD/ExN 400/1300</b>       | ≈ +5 K<br>≈ +10 K<br>with IP66 rating                      |
| <b>ROD 600</b>  | ≈ +75 K  |
| <b>ROD 1900</b>   | ≈ +10 K  |
| <i>Blind hollow shaft</i><br><b>ECN/EQN/ERN 400/1300</b>                    | ≈ +30 K<br>≈ +40 K<br>with IP66 rating                     |
| <b>ECN/EQN/ERN 1000</b>   | ≈ +10 K  |
| <i>Hollow through shaft</i><br><b>ECN/ERN 100</b><br><b>ECN/EQN/ERN 400</b> | ≈ +40 K<br>with IP64 rating<br>≈ +50 K<br>with IP66 rating |

Typical self-heating values of a rotary encoder at maximum permissible shaft speed based on its design characteristics. The relationship between shaft speed and heat generation is nearly linear.



Measuring the actual operating temperature at the defined measuring point of the rotary encoder (see *Specifications*)

# Safety-related position measuring systems

The term “functional safety” designates HEIDENHAIN encoders that are suitable for deployment in safety-related applications. These encoders operate as single-encoder systems with purely serial data transmission via the EnDat 2.2 or DRIVE-CLiQ interface. The reliable transmission of the position is based on two independently generated absolute position values and on error bits provided to the safe control.

## Basic principle

HEIDENHAIN measuring systems for safety-related applications are tested for compliance in accordance with the standards EN ISO 13849-1 (successor to EN 954-1), EN 61508, and EN 61800-5-2. In these standards, the assessment of safety-related systems is based on, among other things, the failure probabilities of integrated components and subsystems. This modular approach makes it easier for the manufacturers of safety-related systems to realize their complete systems, allowing them to build upon already qualified subsystems. Safety-related position measuring systems with purely serial data transmission via EnDat 2.2 or DRIVE-CLiQ take this approach into account. In a safe drive system, the safety-related position measuring system represents such a subsystem. A **safety-related position measuring system** (e.g., with EnDat 2.2) consists of the following:

- An encoder with an EnDat 2.2 transmission component
- A data transfer line with EnDat 2.2 communication and HEIDENHAIN cable
- An EnDat 2.2 receiver component with monitoring functionality (EnDat Master)

In practice, the **complete “safe drive system”** (e.g., for EnDat 2.2) consists of the following:

- A safety-related position measuring system
- A safety-related control (including the EnDat Master with monitoring functions)
- A power stage with motor power cable and motor
- A mechanical connection between the encoder and motor (e.g., rotor/stator connection)

## Area of application

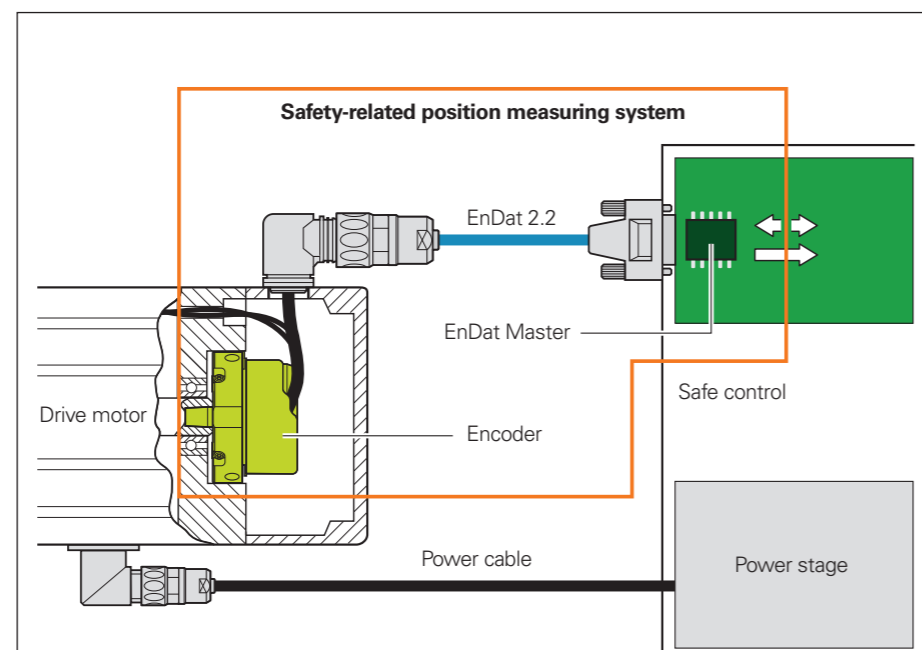
Safety-related position measuring systems from HEIDENHAIN are designed to be usable as single-encoder systems in applications with control category SIL 2 (as per EN 61508), PL d, Category 3 (as per EN ISO 13849).

Additional measures in the control enable the use of certain encoders for applications with up to SIL 3, PL e, Category 4. The suitability of these encoders is indicated in the documentation (brochures and Product Information documents).

The functions of the safety-related position measuring system can be used for the following safety tasks of the complete system (see also EN 61800-5-2):

|            |                             |
|------------|-----------------------------|
| <b>SS1</b> | Safe Stop 1                 |
| <b>SS2</b> | Safe Stop 2                 |
| <b>SOS</b> | Safe Operating Stop         |
| <b>SLA</b> | Safely Limited Acceleration |
| <b>SAR</b> | Safe Acceleration Range     |
| <b>SLS</b> | Safely Limited Speed        |
| <b>SSR</b> | Safe Speed Range            |
| <b>SLP</b> | Safely Limited Position     |
| <b>SLI</b> | Safely Limited Increment    |
| <b>SDI</b> | Safe Direction              |
| <b>SSM</b> | Safe Speed Monitor          |

Safety functions according to EN 61800-5-2



Complete safe drive system with EnDat 2.2

## Principle of operation

The safety design of the position measuring system is based on two mutually independent position values generated in the encoder, and on additional error bits. With EnDat 2.2, for example, these data are transmitted to the EnDat Master via the EnDat 2.2 protocol. The EnDat Master performs various monitoring functions that help detect errors in the encoder and data transmission. For example, a comparison of the two position values is performed. The EnDat Master then makes the data available to the safe control. The control monitors the functionality of the safety-related position measuring system through periodically triggered tests.

The architecture of the EnDat 2.2 protocol enables the processing of all safety-relevant information or control mechanisms during unimpaired normal operation. This is possible because the safety-relevant information is contained within the so-called additional data. According to EN 61508, the architecture of the position measuring system is regarded as a single-channel tested system.

## Integration of the position measuring system: documentation

In order for a position measuring system to be used properly, demands are placed on the control, machine designer, installation technician, servicing personnel, and others. The required information is provided in the documentation for the position measuring systems.

In order to be able to implement a position measuring system in a safety-related application, a suitable control is required. The control performs the essential tasks of carrying out communication with the encoder and reliably evaluating the encoder data.

The requirements for integrating the EnDat Master with monitoring functions into the safe control are described in HEIDENHAIN Document 533095. For example, this document contains requirements pertaining to the electrical connection, cyclic tests of the position measuring system, and the evaluation and further processing of position values. Supplementing this, Document 1000344 describes measures that enable the use of suitable encoders in applications with up to SIL 3, PL e, Category 4.

Machine and equipment manufacturers need not attend to these details themselves. This functionality must be provided by the control. Product information documents, brochures, and mounting instructions provide information to aid in the selection of a suitable encoder. The **Product Information document** and **brochure** contain general information on the functionality and application of the encoders, as well as specifications and permissible ambient conditions. The **mounting instructions** provide detailed information about installing the encoders.

The architecture of the safety system and the diagnostic capabilities of the control may define or specify further requirements.

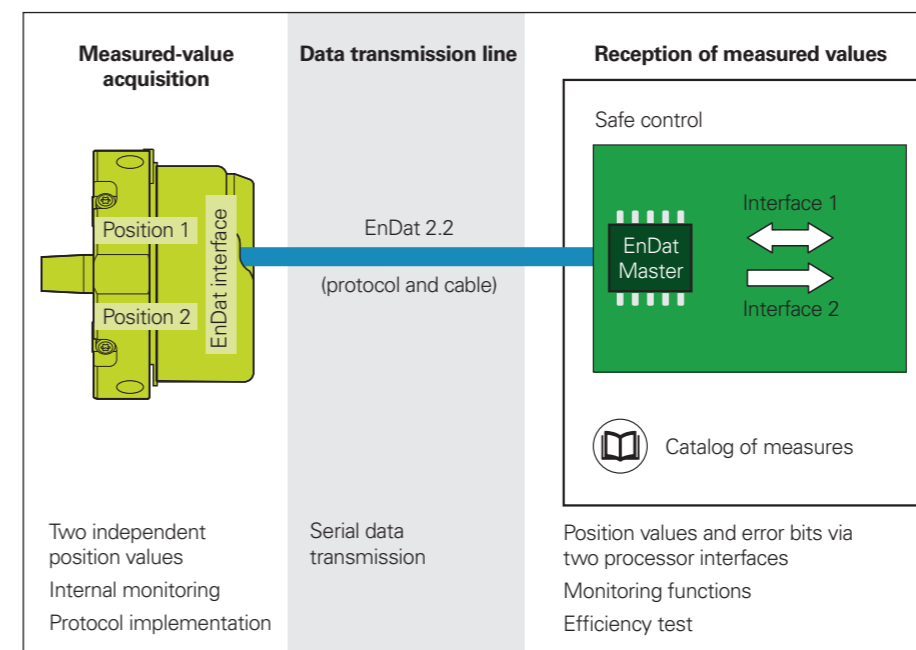
**Thus, in the operating instructions for the control, it must be explicitly stated whether fault exclusion is required for the loosening of the mechanical connection between the encoder and the motor.** Any resulting requirements must be relayed by the machine designer to the installation technician and the servicing staff, for example.

## Fault exclusion for the loosening of the mechanical connection

Irrespective of the interface, many safety designs require a safe mechanical connection of the encoder. The standard for electric motors, EN 61800-5-2, defines the loosening or loss of the mechanical connection between the encoder and motor as a fault that requires consideration. In many cases, fault exclusion is required because the control is not necessarily capable of detecting such errors.

## Standard encoders

In addition to those encoders explicitly qualified for safety applications, standard encoders (e.g., with 1 V<sub>PP</sub> signals) can be used in safe applications as well. In such cases, the characteristics of the encoders must be matched to the requirements of the respective control. To this end, HEIDENHAIN can provide additional data about the individual encoders (failure rate, fault model as per EN 61800-5-2).



Safety-related position encoder with EnDat 2.2



## Further information:

For more information on the topic of functional safety, please refer to the Technical Information documents *Safety-Related Position Measuring Systems* and *Safety-Related Control Technology*, as well as the Product Information documents for encoders with functional safety, and to the Customer Information documents on fault exclusion.



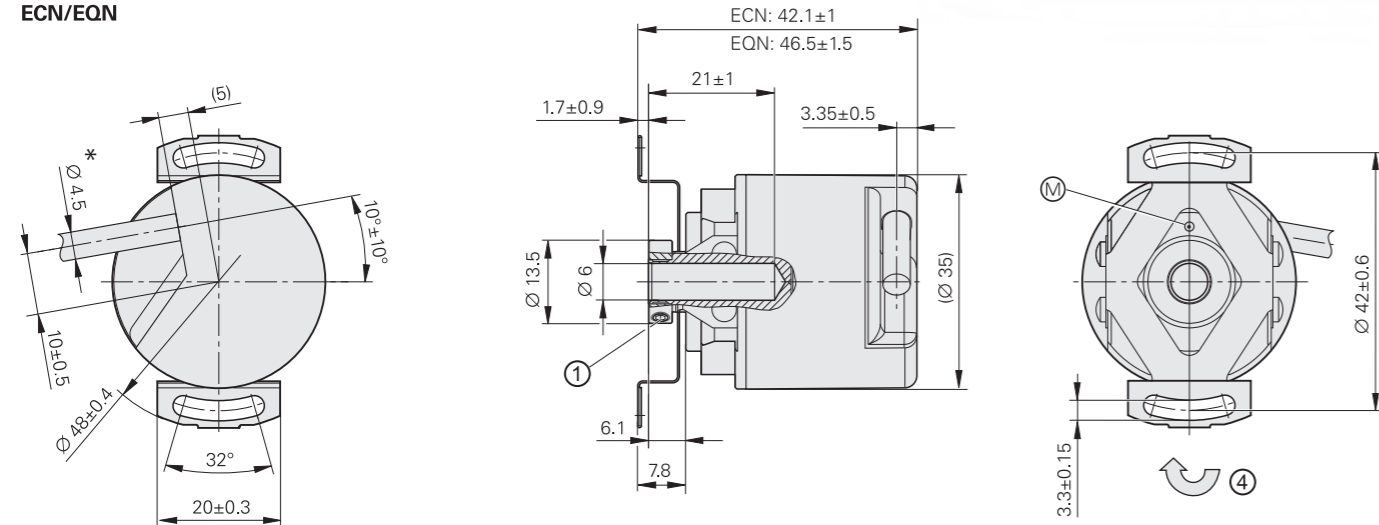
# ECN/EQN/ERN 1000 series

Absolute and incremental rotary encoders

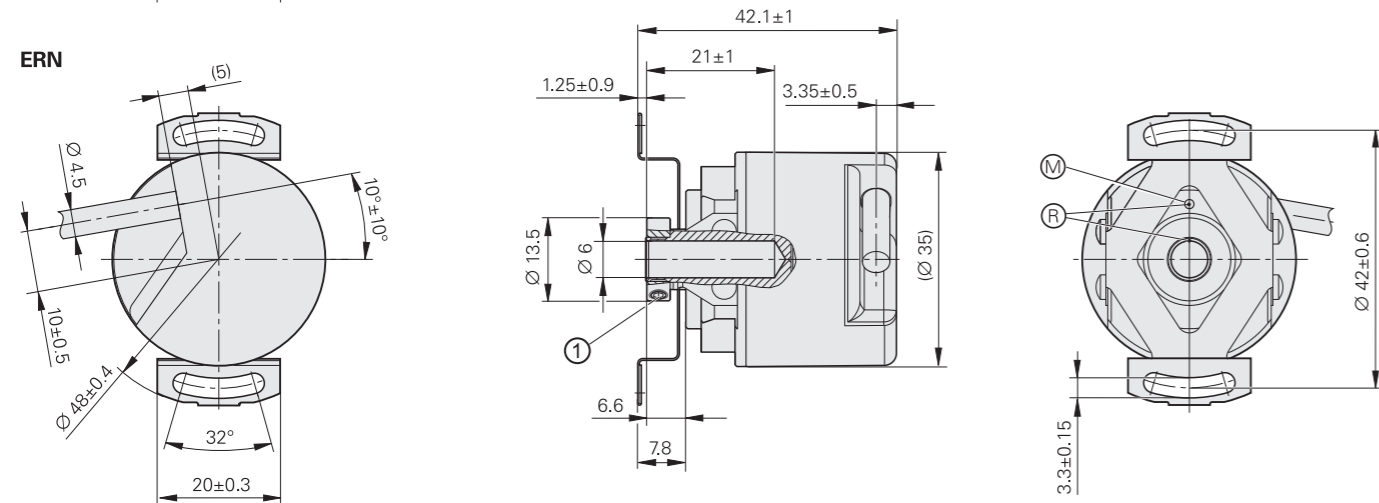
- Stator coupling for plane surface
- Blind hollow shaft



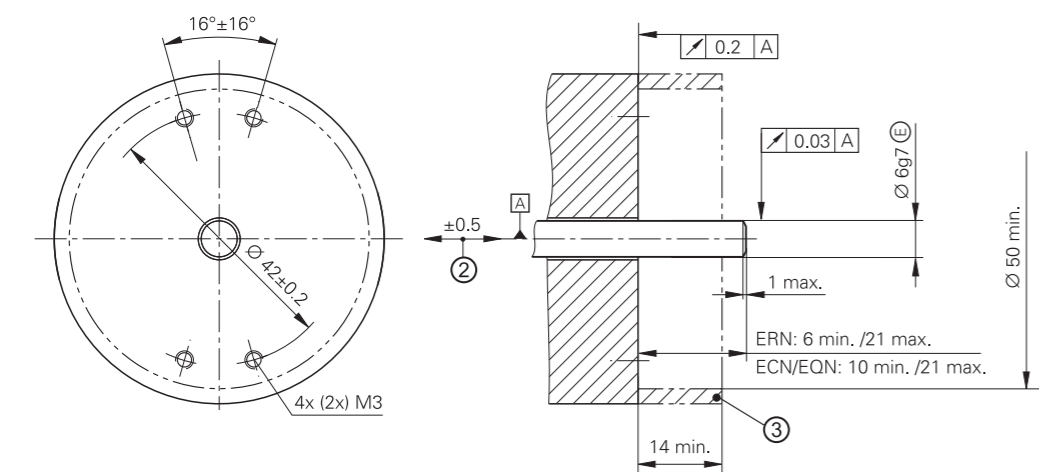
## ECN/EQN



## ERN



Required mating dimensions



mm  
 Tolerancing ISO 8015  
 ISO 2768 - m H  
 < 6 mm: ±0.2 mm

|  | Incremental                                  |                    |   |   |
|--|--|--------------------|---|---|
|  | ERN 1020                                     | ERN 1030           | ERN 1080  | ERN 1070                                  |
| Interface                                  |  |                    | $\sim 1 V_{PP}^{1)}$  |   |
| Line counts*                               | 100<br><b>1000</b>                           | 200<br><b>1024</b> | <b>250</b><br>360<br>400<br><b>500</b><br>720<br>900<br><b>2048</b><br><b>2500</b><br><b>3600</b> | <b>1000</b><br><b>2500</b><br><b>3600</b> |
| Reference mark                             | One  |                    |   |   |
| Integrated interpolation*                  | -  |                    | 5-fold  | 10-fold                                   |
| Cutoff frequency -3 dB                     | -  | -                  | ≥ 180 kHz   | -   |
| Scanning frequency                         | ≤ 300 kHz                                    | ≤ 160 kHz          | -   | ≤ 100 kHz                                 |
| Edge separation a                          | ≥ 0.39 μs                                    | ≥ 0.76 μs          | -   | ≥ 0.47 μs                                 |
| System accuracy                            | 1/20 of grating period                       |                    |   |   |
| Electrical connection*                     | Cable (1 m/5 m) with or without M23 coupling |                    |   | Cable (5 m), free cable end               |
| Supply voltage                             | DC 5 V ±0.5 V                                | DC 10 V to 30 V    | DC 5 V ±0.5 V   | DC 5 V ±0.25 V                            |
| Current consumption without load           | ≤ 120 mA                                     | ≤ 150 mA           | ≤ 120 mA  | ≤ 155 mA                                  |
| Shaft                                      | Blind hollow shaft Ø 6 mm                    |                    |   |   |
| Mech. permiss. shaft speed n               | ≤ 12000 rpm                                  |                    |   |   |
| Starting torque (typical)                  | 0.001 Nm (at 20 °C)                          |                    |   |   |
| Moment of inertia of rotor                 | ≤ 0.5 · 10 <sup>-6</sup> kgm <sup>2</sup>    |                    |   |   |
| Permissible axial motion of measured shaft | ±0.5 mm                                      |                    |   |   |
| Vibration 55 Hz to 2000 Hz                 | ≤ 100 m/s <sup>2</sup> (EN 60068-2-6)        |                    |   |   |
| Shock 6 ms                                 | ≤ 1000 m/s <sup>2</sup> (EN 60068-2-27)      |                    |   |   |
| Max. operating temp. <sup>2)</sup>         | 100 °C                                       | 70 °C              | 100 °C  | 70 °C                                     |
| Min. operating temp.                       | Fixed cable: -30 °C; moving cable: -10 °C    |                    |   |   |
| Protection EN 60529                        | IP64   |                    |   |   |
| Mass                                       | ≈ 0.1 kg                                     |                    |   |   |
| Valid for ID                               | 534909-xx                                    | 534911-xx          | 534913-xx   | 534912-xx                                 |

**Bold:** This preferred version is available on short notice.

\* Please select when ordering

1) Limited tolerances: signal amplitude: 0.8 V<sub>PP</sub> to 1.2 V<sub>PP</sub>

2) For the relationship of operating temperature to shaft speed and supply voltage, see *General mechanical information*

\* = Ø 3.7 mm for encoders with the DRIVE-CLiQ interface

⊠ = Bearing of mating shaft

⊙ = Measuring point for operating temperature


⊕ = Reference mark position ±20°

1 = Two screws in clamping ring; tightening torque: 0.6 Nm ±0.1 Nm; width A/F: 1.5

2 = Compensation of mounting tolerances and thermal expansion; no dynamic motion permitted

3 = Ensure protection against contact (EN 60529)

4 = Direction of shaft rotation for output signals as per the interface description

|  | Absolute   |   |  |  |   |  |
|---|--|---|--|--|---|--|
|   | Singletum  |   |  | Multitum                                     |   |  |
|   | ECN 1023   | ECN 1013                                  | ECN 1023 S                                   | EQN 1035                                     | EQN 1025                                  | EQN 1035 S                                   |
| <b>Interface*</b>   | EnDat 2.2  | EnDat 2.2                                 | DRIVE-CLiQ                                   | EnDat 2.2                                    | EnDat 2.2                                 | DRIVE-CLiQ                                   |
| Ordering designation  | EnDat22  | EnDat01                                   | DQ01   | EnDat22                                      | EnDat01                                   | DQ01   |
| Firmware <sup>1)</sup>  | –  | –   | 01.32.26.53                                  |  |   | 01.32.26.53                                  |
| Positions per revolution  | 8388608 (23 bits)  | 8192 (13 bits)                            | 8388608 (23 bits)                            | 8388608 (23 bits)                            | 8192 (13 bits)                            | 8388608 (23 bits)                            |
| Revolutions   | –  |   |  | 4096 (12 bits)                               |   |  |
| Code  | Pure binary  |   | Pure binary                                  | Pure binary                                  |   | Pure binary                                  |
| Elec. permiss. shaft speed<br>Deviations <sup>2) 5)</sup>                         | ≤ 12000 rpm<br>for continuous position value                                     | ≤ 4000 rpm/ ≤ 12000 rpm<br>±1 LSB/±16 LSB | ≤ 12000 rpm<br>for continuous position value | ≤ 12000 rpm<br>for continuous position value | ≤ 4000 rpm/ ≤ 12000 rpm<br>±1 LSB/±16 LSB | ≤ 12000 rpm<br>for continuous position value |
| Calculation time $t_{cal}$<br>Clock frequency                                     | ≤ 7 μs<br>≤ 8 MHz  | ≤ 9 μs<br>≤ 2 MHz                         | ≤ 8 μs <sup>3)</sup>                         | ≤ 7 μs<br>≤ 8 MHz                            | ≤ 9 μs<br>≤ 2 MHz                         | ≤ 8 μs <sup>3)</sup>                         |
| Incremental signals   | –  | ~ 1 V <sub>PP</sub> <sup>4)</sup>         | –  | –  | ~ 1 V <sub>PP</sub> <sup>4)</sup>         | –  |
| Line count  | –  | 512                                       | –  | –  | 512                                       | –  |
| Cutoff frequency –3 dB  | –  | ≥ 190 kHz                                 | –  | –  | ≥ 190 kHz                                 | –  |
| <b>System accuracy</b>  | ±60''  |   |  |  |   |  |
| <b>Electrical connection</b>  | Cable (1 m) with M12 coupling  | Cable (1 m) with M23 coupling             | Cable (1 m) with M12 coupling                | Cable (1 m) with M12 coupling                | Cable (1 m) with M23 coupling             | Cable (1 m) with M12 coupling                |
| Supply voltage  | DC 3.6 V to 14 V   |   | DC 10 V to 28.8 V                            | DC 3.6 V to 14 V                             |   | DC 10 V to 28.8 V                            |
| Power consumption (max.)  | 3.6 V: ≤ 0.6 W<br>14 V: ≤ 0.7 W  |   | 10 V: ≤ 850 mW<br>28.8 V: ≤ 900 mW           | 3.6 V: ≤ 0.7 W<br>14 V: ≤ 0.8 W              |   | 10 V: ≤ 950 mW<br>28.8 V: ≤ 1000 mW          |
| Current consumption<br>(typical, without load)                                    | 5 V: 85 mA   |   | 24 V: 32 mA                                  | 5 V: 105 mA                                  |   | 24 V: 35 mA                                  |
| <b>Shaft</b>  | Blind hollow shaft Ø 6 mm  |   |  |  |   |  |
| Mech. permiss. shaft speed $n$  | 12000 rpm  |   |  |  |   |  |
| Starting torque (typical)   | 0.001 Nm (at 20 °C)  |   |  | 0.002 Nm (at 20 °C)                          |   |  |
| Moment of inertia of rotor  | ≈ 0.5 · 10 <sup>-6</sup> kgm <sup>2</sup>  |   |  |  |   |  |
| Permiss. axial motion of<br>measured shaft  | ±0.5 mm  |   |  |  |   |  |
| <b>Vibration</b> 55 Hz to 2000 Hz<br><b>Shock</b> 6 ms                            | ≤ 100 m/s <sup>2</sup> (EN 60068-2-6)<br>≤ 1000 m/s <sup>2</sup> (EN 60068-2-27) |   |  |  |   |  |
| <b>Max. operating temp.</b>   | 100 °C   |   | 95 °C  | 100 °C                                       |   | 95 °C  |
| <b>Min. operating temp.</b>   | Fixed cable: –30 °C; moving cable: –10 °C  |   |  |  |   |  |
| <b>Protection</b> EN 60529  | IP64   |   |  |  |   |  |
| <b>Mass</b>   | ≈ 0.1 kg   |   |  |  |   |  |
| <b>Valid for ID</b>   | 606683-xx  | 606681-xx                                 | 1211019-xx                                   | 606688-xx                                    | 606686-xx                                 | 1211020-xx                                   |

\* Please select when ordering

<sup>1)</sup> SINAMICS/SIMOTION: ≥ V4.4 HF4; SINUMERIK without safety ≥ V4.4 SP1 HF3 (as per document: "Certified encoders with DRIVE-CLiQ Dependencies on SIMOTION / SINUMERIK and SINAMICS Hardware and Software versions" (version: 12/2018))

<sup>2)</sup> Speed-dependent deviations between absolute and incremental signals

<sup>3)</sup> Calculation time TIME\_MAX\_ACTVAL

<sup>4)</sup> Limited tolerances: signal amplitude: 0.8 V<sub>PP</sub> to 1.2 V<sub>PP</sub>

<sup>5)</sup> In the case of DRIVE-CLiQ interface: with ≥ 2 position requests per revolution

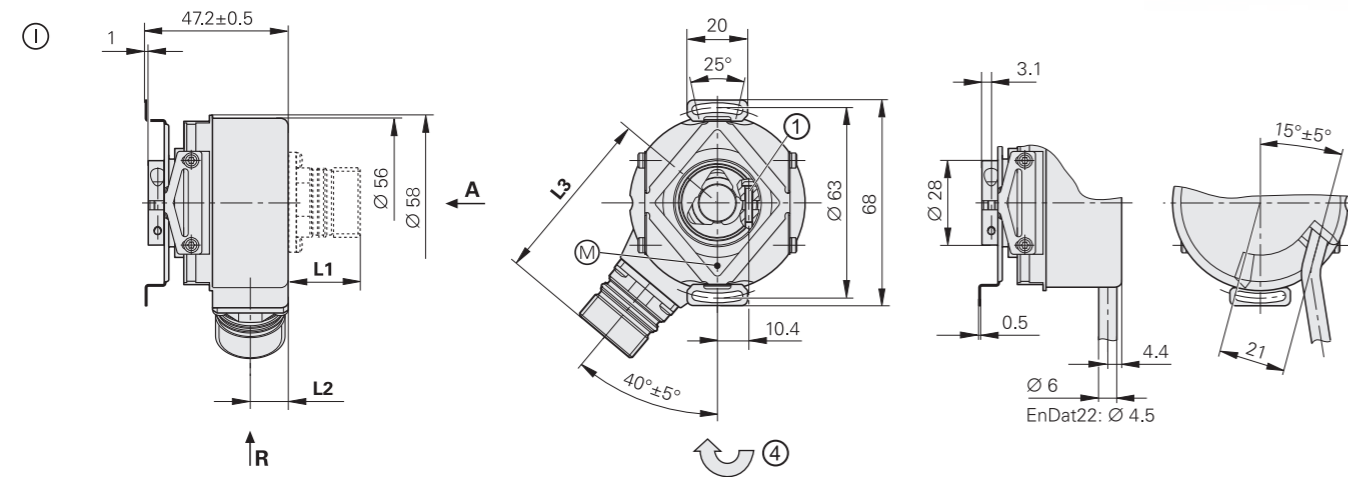
# ECN/EQN/ERN 400 series

Absolute and incremental rotary encoders

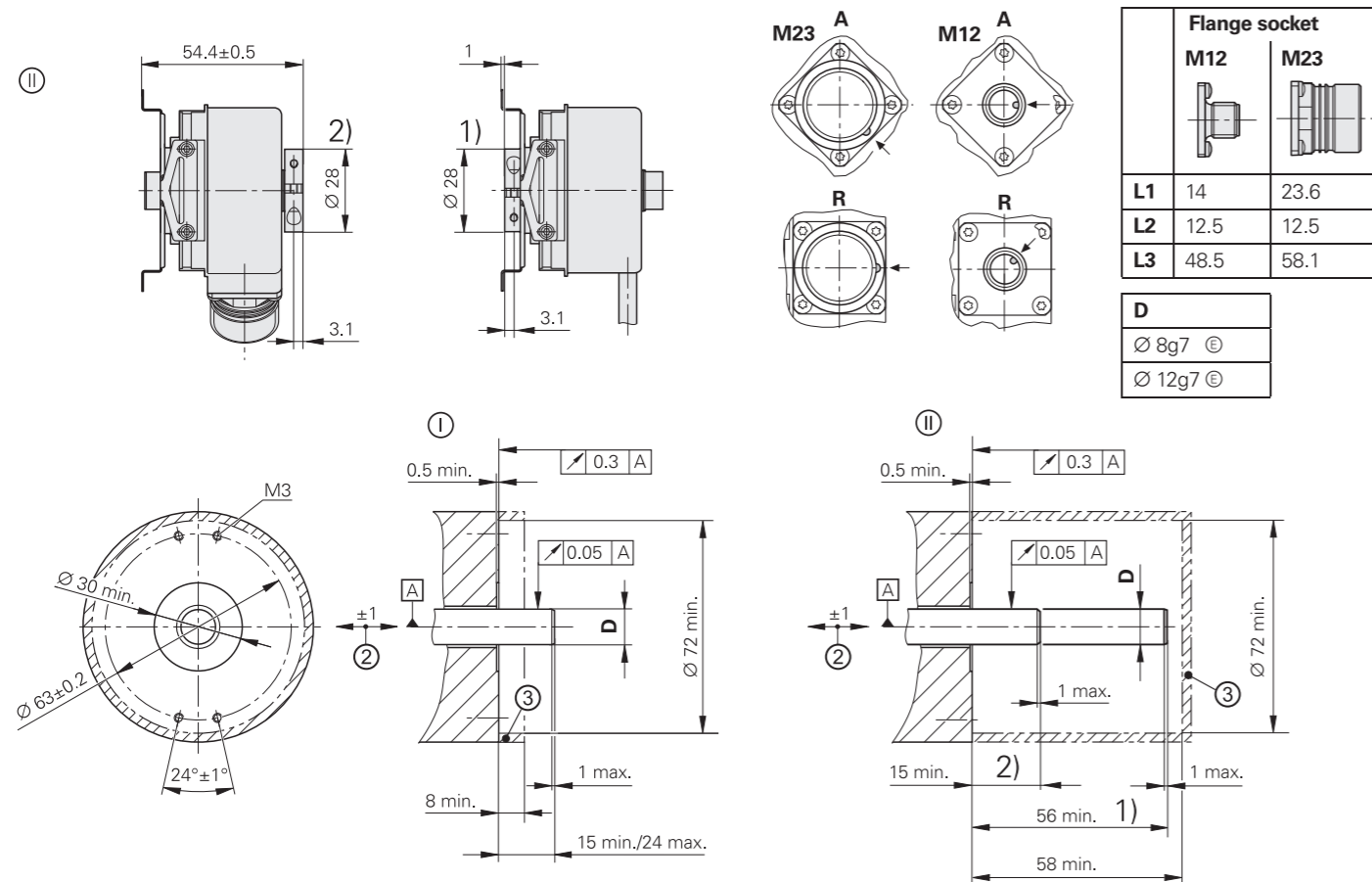
- Stator coupling for plane surface
- Blind hollow shaft or hollow through shaft



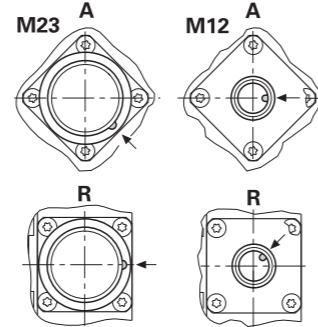
## Blind hollow shaft



## Hollow through shaft



Connector coding  
A = Axial, R = Radial



|        | Flange socket |      |
|--------|---------------|------|
|        | M12           | M23  |
| L1     | 14            | 23.6 |
| L2     | 12.5          | 12.5 |
| L3     | 48.5          | 58.1 |
| D      |               |      |
| Ø 8g7  | E             |      |
| Ø 12g7 | E             |      |

mm  
Tolerancing ISO 8015  
ISO 2768 - m H  
< 6 mm: ±0.2 mm

- Radial cable (can also be used axially)
- A = Bearing of mating shaft
- ⊙ = Measuring point for operating temperature
- 1 = Clamping screw with X8 hexalobular socket
- 2 = Compensation of mounting tolerances and thermal expansion; no dynamic motion permitted
- 3 = Ensure protection against contact (EN 60529)
- 4 = Direction of shaft rotation for output signals as per the interface description
- 1) = Clamping ring on housing side (delivery condition)
- 2) = Clamping ring on coupling side (optionally mountable)

|  | Incremental  |                 |                      |                                 |
|--|--|-----------------|----------------------|---------------------------------|
|  | ERN 420  | ERN 460         | ERN 430              | ERN 480                         |
| Interface                                  | TTL  |                 | HTL                  | 1 V <sub>PP</sub> <sup>1)</sup> |
| Line counts*                               | 250 500  |                 |                      | -                               |
|  | 1000   | 1024            | 1250                 | 2000 2048 2500 3600 4096 5000   |
| Reference mark                             | One  |                 |                      |                                 |
| Cutoff frequency -3 dB                     | -  |                 |                      | ≥ 180 kHz                       |
| Output frequency                           | ≤ 300 kHz  |                 |                      | -                               |
| Edge separation a                          | ≥ 0.39 μs  |                 |                      | -                               |
| System accuracy                            | 1/20 of grating period   |                 |                      |                                 |
| Electrical connection*                     | <ul style="list-style-type: none"> <li>• M23 flange socket, radial and axial (with blind hollow shaft)</li> <li>• Cable (1 m), free cable end</li> </ul> |                 |                      |                                 |
| Supply voltage                             | DC 5 V ±0.5 V  | DC 10 V to 30 V | DC 10 V to 30 V      | DC 5 V ±0.5 V                   |
| Current consumption without load           | ≤ 120 mA   | ≤ 100 mA        | ≤ 150 mA             | ≤ 120 mA                        |
| Shaft*                                     | Blind hollow shaft or hollow through shaft; Ø 8 mm or Ø 12 mm  |                 |                      |                                 |
| Mech. perm. shaft speed n <sup>2)</sup>    | ≤ 6000 rpm/≤ 12000 rpm <sup>3)</sup>   |                 |                      |                                 |
| Starting torque (typical) at 20 °C         | Blind hollow shaft: 0.01 Nm<br>Hollow through shaft: 0.025 Nm (with IP66: 0.075 Nm)  |                 |                      |                                 |
| Moment of inertia of rotor                 | ≤ 4.3 · 10 <sup>-6</sup> kgm <sup>2</sup>  |                 |                      |                                 |
| Permissible axial motion of measured shaft | ±1 mm  |                 |                      |                                 |
| Vibration 55 Hz to 2000 Hz                 | ≤ 300 m/s <sup>2</sup> ; flange socket version: 150 m/s <sup>2</sup> (EN 60068-2-6); higher values upon request  |                 |                      |                                 |
| Shock 6 ms                                 | ≤ 2000 m/s <sup>2</sup> (EN 60068-2-27)  |                 |                      |                                 |
| Max. operating temp. <sup>2)</sup>         | 100 °C   | 70 °C           | 100 °C <sup>4)</sup> |                                 |
| Min. operating temp.                       | Flange socket or fixed cable: -40 °C; moving cable: -10 °C   |                 |                      |                                 |
| Protection EN 60529                        | At housing: IP67 (IP66 with hollow through shaft)<br>At shaft inlet: IP64 (when Ø 12 mm, IP66 possible upon request)                                     |                 |                      |                                 |
| Mass                                       | ≈ 0.3 kg   |                 |                      |                                 |
| Valid for ID                               | 385420-xx  | 385460-xx       | 385430-xx            | 385480-xx <sup>5)</sup>         |

**Bold:** This preferred version is available on short notice.

\* Please select when ordering




1) Limited tolerances: signal amplitude: 0.8 V<sub>PP</sub> to 1.2 V<sub>PP</sub>

2) For the relationship of operating temperature to shaft speed and supply voltage, see *General mechanical information*

3) With two shaft clampings (only with hollow through shaft)

4) 80 °C for ERN 480 with 4096 or 5000 lines

5) Available with mechanical fault exclusion; for deviating specifications and special mounting information, see the *Fault Exclusion* Customer Information document

|  | Absolute  |   |   | Multitum  |   |  |
|--|---|---|---|---|---|--|
|  | Singletum<br>ECN 425   | ECN 413   | SSI   | EQN 437                                    | EQN 425   | SSI  |
| Interface*   | EnDat 2.2   | EnDat 2.2   | SSI   | EnDat 2.2   | EnDat 2.2   | SSI  |
| Ordering designation   | EnDat22   | EnDat01   | SSI39r1                                       | EnDat22   | EnDat01   | SSI41r1  |
| Positions per revolution   | 33554432 (25 bits)  | 8192 (13 bits)  |   | 33554432 (25 bits)  | 8192 (13 bits)  |  |
| Revolutions  | –   |   |   | 4096  |   |  |
| Code   | Pure binary   |   | Gray  | Pure binary   |   | Gray   |
| Elec. permiss. shaft speed<br>Deviations <sup>1)</sup>                           | ≤ 12000 rpm<br>for continuous position value  | <i>512 lines:</i> ≤ 5000/12000 rpm<br>±1 LSB/±100 LSB<br><i>2048 lines:</i> ≤ 1500/12000 rpm<br>±1 LSB/±50 LSB                                  | ≤ 12000 rpm<br>±12 LSB                        | ≤ 12000 rpm<br>for continuous position value  | <i>512 lines:</i> ≤ 5000/10000 rpm<br>±1 LSB/±100 LSB<br><i>2048 lines:</i> ≤ 1500/10000 rpm<br>±1 LSB/±50 LSB                                  | ≤ 12000 rpm<br>±12 LSB                           |
| Calculation time $t_{cal}$<br>Clock frequency                                    | ≤ 7 μs<br>≤ 8 MHz   | ≤ 9 μs<br>≤ 2 MHz   | ≤ 5 μs<br>–                                   | ≤ 7 μs<br>≤ 8 MHz   | ≤ 9 μs<br>≤ 2 MHz   | ≤ 5 μs<br>–                                      |
| Incremental signals  | Without   | $\sim 1 V_{PP}^{2)}$  |   | Without   | $\sim 1 V_{PP}^{2)}$  |  |
| Line counts*   | –   | <b>512</b> 2048   | 512   | –   | <b>512</b> 2048   | 512  |
| Cutoff frequency –3 dB<br>Output frequency                                       | –<br>–  | <i>512 lines:</i> ≥ 130 kHz; <i>2048 lines:</i> ≥ 400 kHz<br>–  |   | –<br>–  | <i>512 lines:</i> ≥ 130 kHz; <i>2048 lines:</i> ≥ 400 kHz<br>–  |  |
| System accuracy  | ±20"  | <i>512 lines:</i> ±60"; <i>2048 lines:</i> ±20"   |   | ±20"  | <i>512 lines:</i> ±60"; <i>2048 lines:</i> ±20"   |  |
| Electrical connection*   | <ul style="list-style-type: none"> <li>• <b>M12 flange socket</b>, radial</li> <li>• Cable (1 m) with M12 coupling</li> </ul>                                       | <ul style="list-style-type: none"> <li>• <b>M23 flange socket</b>, radial</li> <li>• Cable (1 m) with M23 coupling or free cable end</li> </ul> |   | <ul style="list-style-type: none"> <li>• <b>M12 flange socket</b>, radial</li> <li>• Cable (1 m) with M12 coupling</li> </ul> | <ul style="list-style-type: none"> <li>• <b>M23 flange socket</b>, radial</li> <li>• Cable (1 m) with M23 coupling or free cable end</li> </ul> |  |
| Supply voltage   | DC 3.6 V to 14 V  |   | DC 4.75 V to 30 V                             | DC 3.6 V to 14 V  |   | DC 4.75 V to 30 V                                |
| Power consumption (max.)   | 3.6 V: ≤ 0.6 W<br>14 V: ≤ 0.7 W   |   | 5 V: ≤ 0.8 W<br>10 V: ≤ 0.65 W<br>30 V: ≤ 1 W | 3.6 V: ≤ 0.7 W<br>14 V: ≤ 0.8 W   |   | 5 V: ≤ 0.95 W<br>10 V: ≤ 0.75 W<br>30 V: ≤ 1.1 W |
| Current consumption<br>(typical, without load)                                   | 5 V: 85 mA  |   | 5 V: 90 mA<br>24 V: 24 mA                     | 5 V: 105 mA   |   | 5 V: 120 mA<br>24 V: 28 mA                       |
| Shaft*   | <b>Blind hollow shaft</b> or hollow through shaft; <b>Ø 8 mm</b> or <b>Ø 12 mm</b>  |   |   |   |   |  |
| Mech. permiss. shaft speed $n^{3)}$  | ≤ 6000 rpm/≤ 12000 rpm <sup>4)</sup>  |   |   |   |   |  |
| Starting torque (typical)<br>at 20 °C  | <i>Blind hollow shaft:</i> 0.01 Nm; <i>hollow through shaft:</i> 0.025 Nm (with IP66: 0.075 Nm)   |   |   |   |   |  |
| Moment of inertia of rotor   | ≤ 4.3 · 10 <sup>-6</sup> kgm <sup>2</sup>   |   |   |   |   |  |
| Permissible axial motion<br>of measured shaft                                    | ±1 mm   |   |   |   |   |  |
| Vibration 55 Hz to 2000 Hz<br>Shock 6 ms   | ≤ 300 m/s <sup>2</sup> ; <i>flange socket version:</i> ≤ 150 m/s <sup>2</sup> (EN 60068-2-6); higher values upon request<br>≤ 2000 m/s <sup>2</sup> (EN 60068-2-27) |   |   |   |   |  |
| Max. operating temp. <sup>3)</sup>   | 100 °C  |   |   |   |   |  |
| Min. operating temp.   | <i>Flange socket or fixed cable:</i> –40 °C; <i>moving cable:</i> –10 °C  |   |   |   |   |  |
| Protection EN 60529  | <i>At housing:</i> IP67 (IP66 with hollow through shaft)<br><i>At shaft inlet:</i> IP64 (when Ø 12 mm, IP66 possible upon request)                                  |   |   |   |   |  |
| Mass   | ≈ 0.3 kg  |   |   |   |   |  |
| Valid for ID   | 683644-xx <sup>5)</sup> / 1178024-xx <sup>5) 6)</sup>   | 1065932-xx  | 1132405-xx / 1353129-xx <sup>6)</sup>         | 683646-xx <sup>5)</sup> / 1178025-xx <sup>5) 6)</sup>   | 1109258-xx  | 1132407-xx / 1353131-xx <sup>6)</sup>            |

**Bold:** This preferred version is available on short notice.

\* Please select when ordering

<sup>1)</sup> Speed-dependent deviations between absolute value and incremental signal

<sup>2)</sup> Limited tolerances: signal amplitude: 0.8 V<sub>PP</sub> to 1.2 V<sub>PP</sub>

<sup>3)</sup> For the relationship of operating temperature to shaft speed and supply voltage, see *General mechanical information*

<sup>4)</sup> With two shaft clampings (only with hollow through shaft)

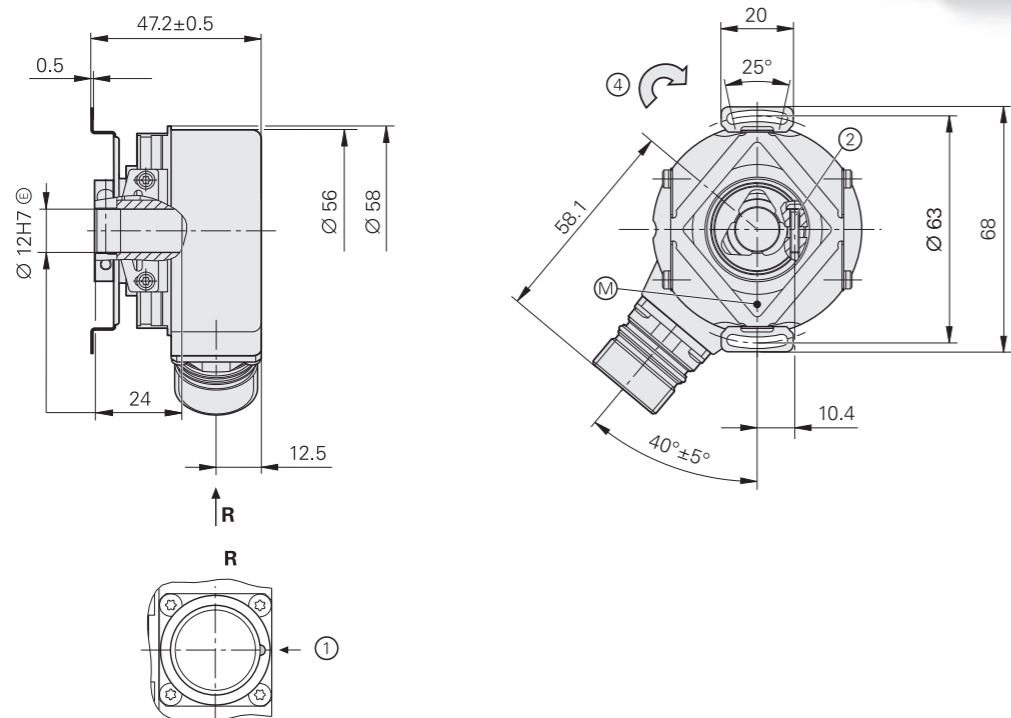
<sup>5)</sup> Also available with functional safety; for dimensions and specifications, see Product Information document

<sup>6)</sup> Successor variants

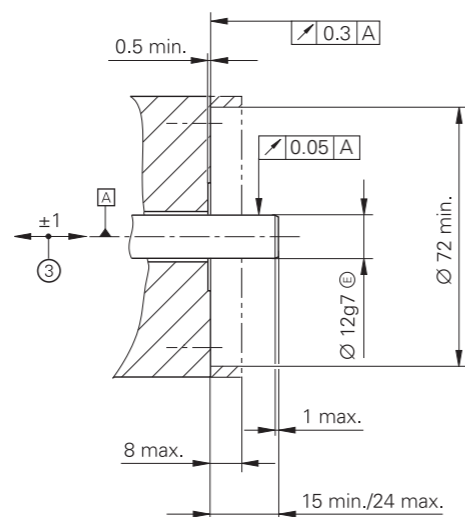
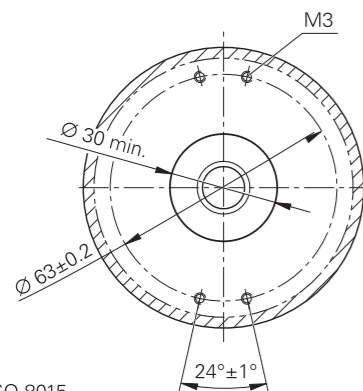
# EQN 425

Rotary encoder for absolute position values with blind hollow shaft

- Stator coupling for plane surface
- EnDat interface
- Additional incremental signals with TTL or HTL levels



Required mating dimensions



mm  
Tolerancing ISO 8015  
ISO 2768 - m H  
< 6 mm: ±0.2 mm

- ⊠ = Bearing of mating shaft
- ⊙ = Measuring point for operating temperature
- 1 = Connector coding
- 2 = Clamping screw with X8 hexalobular socket; tightening torque: 1.1 Nm ±0.1 Nm
- 3 = Compensation of mounting tolerances and thermal expansion; no dynamic motion permitted
- 4 = Direction of shaft rotation for output signals as per the interface description

|   |   | Absolute            |           |   |           |           |  |
|---|---|---------------------|-----------|---|-----------|-----------|--|
|   |   | EQN 425 – Multiturn |           |   |           |           |  |
| Interface                                   | EnDat 2.2                               |                     |           |   |           |           |  |
| Ordering designation*                       | EnDatH                                  |                     |           |   |           | EnDatT    |  |
| Positions per revolution                    | 8192 (13 bits)                          |                     |           |   |           |           |  |
| Revolutions                                 | 4096 (12 bits)                          |                     |           |   |           |           |  |
| Code  | Pure binary                             |                     |           |   |           |           |  |
| Calculation time $t_{cal}$                  | ≤ 9 μs                                  |                     |           |   |           |           |  |
| Clock frequency                             | ≤ 2 MHz                                 |                     |           |   |           |           |  |
| Incremental signals                         | HTL                                     |                     |           | TTL                                       |           |           |  |
| Signal periods *                            | 512                                     | 1024                | 2048      | 512                                       | 2048      | 4096      |  |
| Edge separation $a$                         | ≥ 2.4 μs                                | ≥ 0.8 μs            | ≥ 0.6 μs  | ≥ 2.4 μs                                  | ≥ 0.6 μs  | ≥ 0.2 μs  |  |
| Output frequency                            | ≤ 52 kHz                                | ≤ 103 kHz           | ≤ 205 kHz | ≤ 52 kHz                                  | ≤ 205 kHz | ≤ 410 kHz |  |
| System accuracy <sup>1)</sup>               | ±60"                                    | ±60"                | ±20"      | ±60"                                      | ±20"      | ±20"      |  |
| Electrical connection                       | 17-pin M23 radial flange socket (male)  |                     |           |   |           |           |  |
| Cable length <sup>2)</sup>                  | ≤ 100 m (with HEIDENHAIN cable)         |                     |           |   |           |           |  |
| Supply voltage                              | DC 10 V to 30 V                         |                     |           | DC 4.75 V to 30 V                         |           |           |  |
| Power consumption (max.) <sup>3)</sup>      | See Power consumption diagram           |                     |           | At 4.75 V: ≤ 900 mW<br>At 30 V: ≤ 1100 mW |           |           |  |
| Current consumption (typical, without load) | At 10 V: ≤ 56 mA<br>At 24 V: ≤ 34 mA    |                     |           | At 5 V: ≤ 100 mA<br>At 24 V: ≤ 25 mA      |           |           |  |
| Shaft                                       | Blind hollow shaft Ø 12 mm              |                     |           |   |           |           |  |
| Mech. permiss. shaft speed $n^4)$           | ≤ 6000 rpm                              |                     |           |   |           |           |  |
| Starting torque (typical)                   | 0.01 Nm (at 20 °C)                      |                     |           |   |           |           |  |
| Moment of inertia of rotor                  | 4.3 · 10 <sup>-6</sup> kgm <sup>2</sup> |                     |           |   |           |           |  |
| Permissible axial motion of measured shaft  | ≤ ±1 mm                                 |                     |           |   |           |           |  |
| Vibration 10 Hz to 2000 Hz <sup>5)</sup>    | ≤ 150 m/s <sup>2</sup> (EN 60068-2-6)   |                     |           |   |           |           |  |
| Shock 6 ms                                  | ≤ 2000 m/s <sup>2</sup> (EN 60068-2-27) |                     |           |   |           |           |  |
| Max. operating temp. <sup>4)</sup>          | 100 °C                                  |                     |           |   |           |           |  |
| Min. operating temp. <sup>4)</sup>          | -40 °C                                  |                     |           |   |           |           |  |
| Protection EN 60529                         | Housing: IP67<br>Shaft exit: IP64       |                     |           |   |           |           |  |
| Mass  | ≈ 0.30 kg                               |                     |           |   |           |           |  |
| Valid for ID                                | 1042545-xx                              |                     |           | 1042540-xx                                |           |           |  |

\* Please select when ordering

1) For absolute position value; accuracy of the incremental signal upon request

2) For HTL signals, the maximum cable length depends on the output frequency (see the Cable length for HTL diagrams)

3) See General electrical information in the Interfaces of HEIDENHAIN Encoders brochure

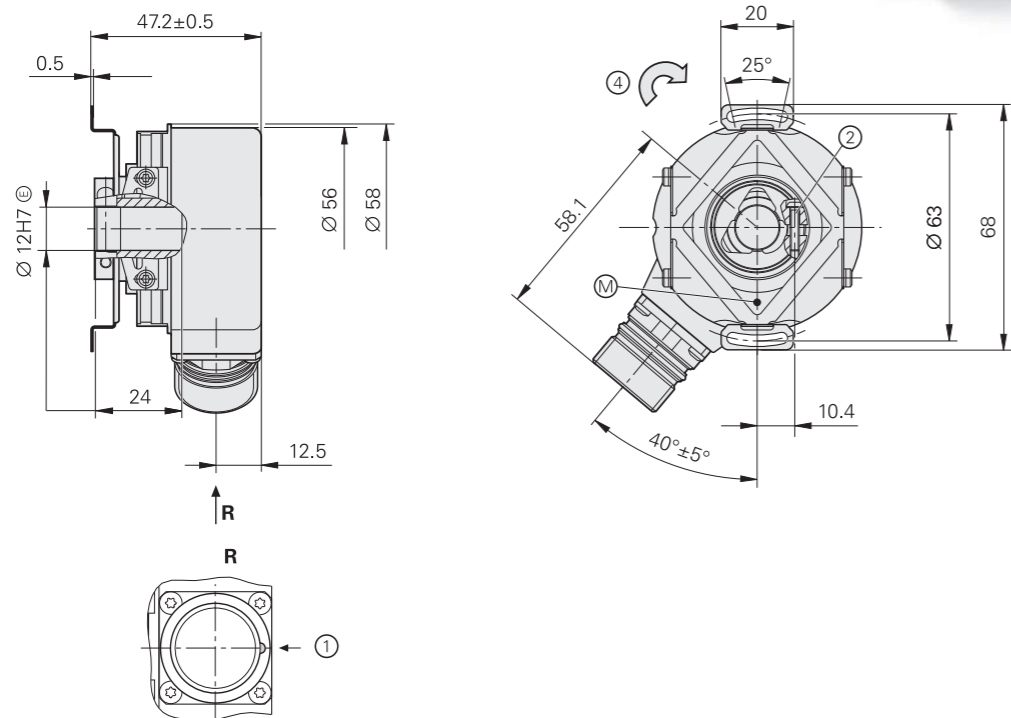
4) For the relationship of operating temperature to shaft speed and supply voltage, see General mechanical information

5) 10 Hz to 55 Hz constant over 4.9 mm peak to peak

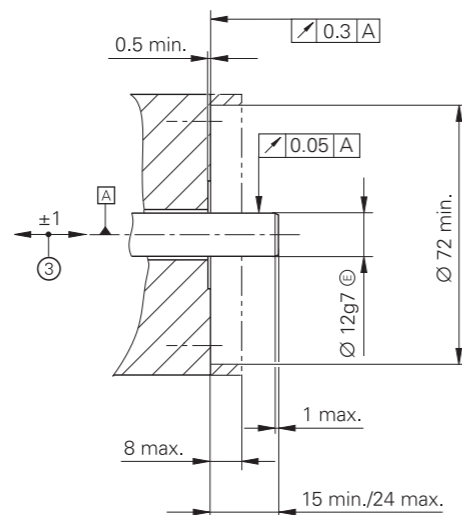
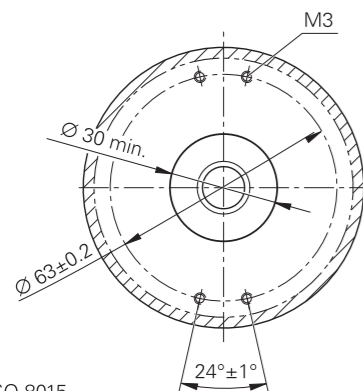
# EQN 425

Rotary encoder for absolute position values with blind hollow shaft

- Stator coupling for plane surface
- SSI interface
- Additional incremental signals with TTL or HTL levels



Required mating dimensions



mm  
Tolerancing ISO 8015  
ISO 2768 - m H  
< 6 mm: ±0.2 mm

- ⊠ = Bearing of mating shaft
- ⊙ = Measuring point for operating temperature
- 1 = Connector coding
- 2 = Clamping screw with X8 hexalobular socket; tightening torque: 1.1 Nm ±0.1 Nm
- 3 = Compensation of mounting tolerances and thermal expansion; no dynamic motion permitted
- 4 = Direction of shaft rotation for output signals as per the interface description

|   | Absolute                                |           |           |   |           |           |
|---|---|-----------|-----------|---|-----------|-----------|
|   | EQN 425 – Multitum                      |           |           |   |           |           |
| Interface                                   | SSI                                     |           |           |   |           |           |
| Ordering designation*                       | SSI41H                                  |           |           | SSI41T                                    |           |           |
| Positions per revolution                    | 8192 (13 bits)                          |           |           |   |           |           |
| Revolutions                                 | 4096 (12 bits)                          |           |           |   |           |           |
| Code  | Gray                                    |           |           |   |           |           |
| Calculation time $t_{cal}$                  | ≤ 5 μs                                  |           |           |   |           |           |
| Clock frequency                             | ≤ 1 MHz                                 |           |           |   |           |           |
| Incremental signals                         | HTL <sup>6)</sup>                       |           |           | TTL                                       |           |           |
| Signal periods *                            | 512                                     | 1024      | 2048      | 512                                       | 2048      | 4096      |
| Edge separation $a$                         | ≥ 2.4 μs                                | ≥ 0.8 μs  | ≥ 0.6 μs  | ≥ 2.4 μs                                  | ≥ 0.6 μs  | ≥ 0.2 μs  |
| Output frequency                            | ≤ 52 kHz                                | ≤ 103 kHz | ≤ 205 kHz | ≤ 52 kHz                                  | ≤ 205 kHz | ≤ 410 kHz |
| System accuracy <sup>1)</sup>               | ±60"                                    | ±60"      | ±20"      | ±60"                                      | ±20"      | ±20"      |
| Electrical connection                       | 12-pin M23 radial flange socket (male)  |           |           | 17-pin M23 radial flange socket (male)    |           |           |
| Cable length <sup>2)</sup>                  | ≤ 100 m (with HEIDENHAIN cable)         |           |           |   |           |           |
| Supply voltage                              | DC 10 V to 30 V                         |           |           | DC 4.75 V to 30 V                         |           |           |
| Power consumption (max.) <sup>3)</sup>      | See Power consumption diagram           |           |           | At 4.75 V: ≤ 900 mW<br>At 30 V: ≤ 1100 mW |           |           |
| Current consumption (typical, without load) | At 10 V: ≤ 56 mA<br>At 24 V: ≤ 34 mA    |           |           | At 5 V: ≤ 100 mA<br>At 24 V: ≤ 25 mA      |           |           |
| Shaft                                       | Blind hollow shaft Ø 12 mm              |           |           |   |           |           |
| Mech. permiss. shaft speed $n^4)$           | ≤ 6000 rpm                              |           |           |   |           |           |
| Starting torque (typical)                   | 0.01 Nm (at 20 °C)                      |           |           |   |           |           |
| Moment of inertia of rotor                  | 4.3 · 10 <sup>-6</sup> kgm <sup>2</sup> |           |           |   |           |           |
| Permissible axial motion of measured shaft  | ≤ ±1 mm                                 |           |           |   |           |           |
| Vibration 10 Hz to 2000 Hz <sup>5)</sup>    | ≤ 150 m/s <sup>2</sup> (EN 60068-2-6)   |           |           |   |           |           |
| Shock 6 ms                                  | ≤ 2000 m/s <sup>2</sup> (EN 60068-2-27) |           |           |   |           |           |
| Max. operating temp. <sup>4)</sup>          | 100 °C                                  |           |           |   |           |           |
| Min. operating temp. <sup>4)</sup>          | -40 °C                                  |           |           |   |           |           |
| Protection EN 60529                         | Housing: IP67<br>Shaft exit: IP64       |           |           |   |           |           |
| Mass  | ≈ 0.30 kg                               |           |           |   |           |           |
| Valid for ID                                | 1065029-xx                              |           |           | 1042533-xx                                |           |           |

- \* Please select when ordering
- 1) For absolute position value; accuracy of the incremental signal upon request
- 2) For HTL signals, the maximum cable length depends on the output frequency (see the Cable length for HTL diagrams)
- 3) See General electrical information in the Interfaces of HEIDENHAIN Encoders brochure
- 4) For the relationship of operating temperature to shaft speed and supply voltage, see General mechanical information
- 5) 10 Hz to 55 Hz constant over 4.9 mm peak to peak
- 6) HTLs upon request

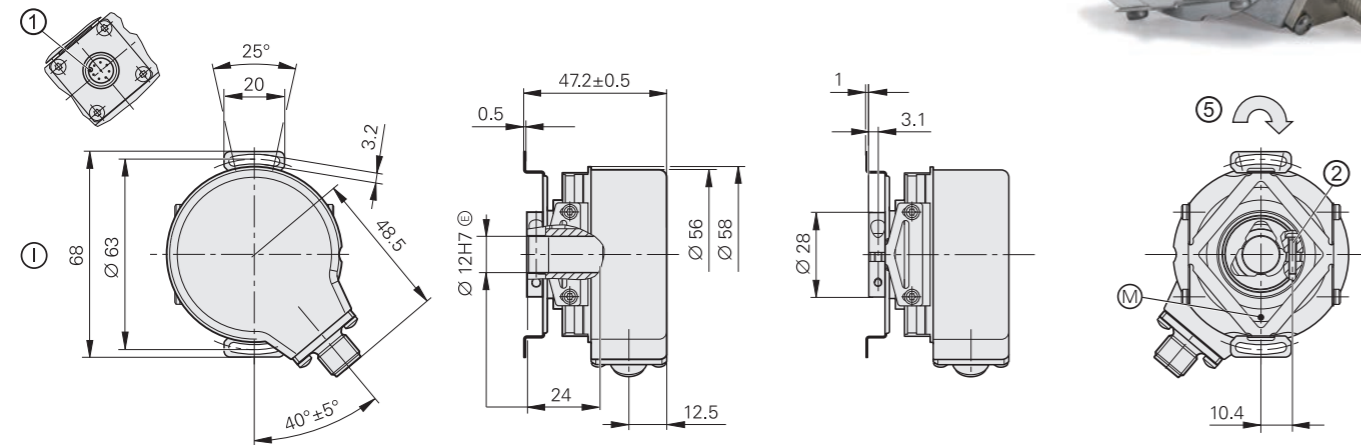
# ECN/EQN 400F/S series

## Absolute rotary encoders

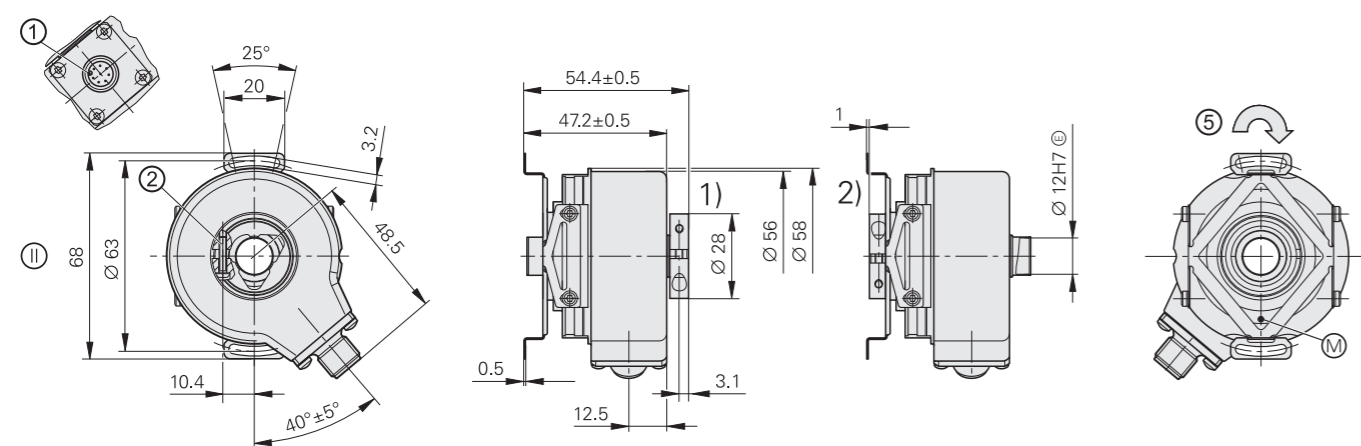
- Stator coupling for plane surface
- Blind hollow shaft or hollow through shaft
- Fanuc Serial Interface or Siemens DRIVE-CLiQ interface



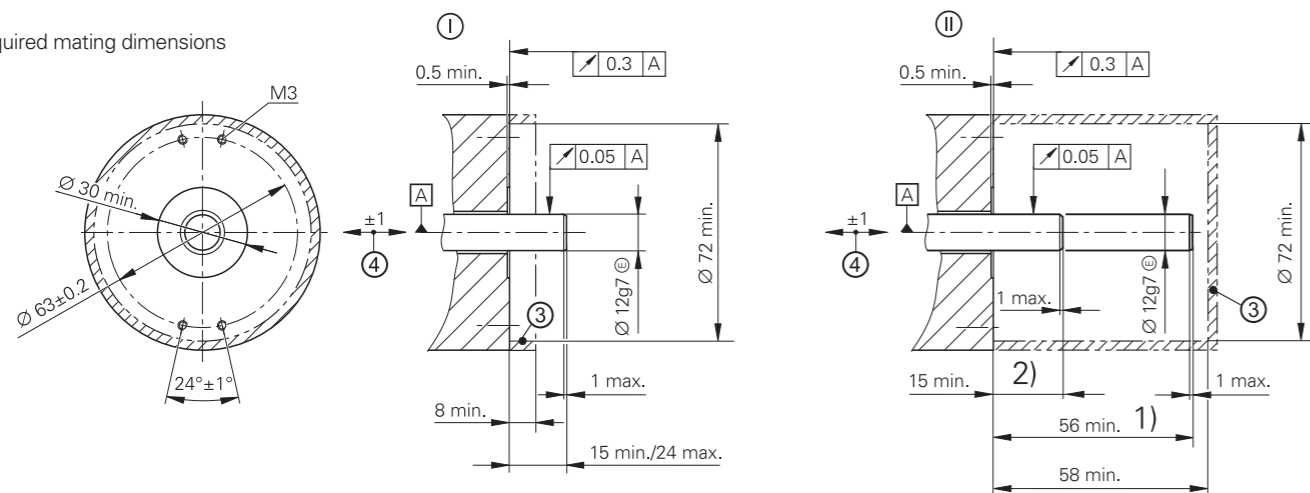
### Blind hollow shaft



### Hollow through shaft



### Required mating dimensions



mm  
Tolerancing ISO 8015  
ISO 2768 - m H  
< 6 mm: ±0.2 mm

- ▭ = Bearing of mating shaft
- ⊙ = Measuring point for operating temperature
- 1 = Connector coding
- 2 = Clamping screw with X8 hexalobular socket; tightening torque: 1.1 Nm ±0.1 Nm
- 3 = Ensure protection against contact (EN 60529)
- 4 = Compensation of mounting tolerances and thermal expansion; no dynamic motion permitted
- 5 = Direction of shaft rotation for output signals as per the interface description
- 1) = Clamping ring on housing side (delivery condition)
- 2) = Clamping ring on coupling side (optionally mountable)

DRIVE-CLiQ is a registered trademark of Siemens AG.

|  | Absolute   |                                | Multiturn                               |                                |
|--|--|--------------------------------|---|--------------------------------|
|  | Singleturn<br>ECN 425F   | ECN 424S                       | EQN 437F                                | EQN 436S                       |
| <b>Interface</b>                                       | Fanuc Serial Interface;<br>αi Interface  | DRIVE-CLiQ                     | Fanuc Serial Interface;<br>αi Interface | DRIVE-CLiQ                     |
| Ordering designation                                   | Fanuc05 <sup>1)</sup>  | DQ01                           | Fanuc06 <sup>1)</sup>                   | DQ01                           |
| Positions per revolution                               | αi: 33554432<br>(25 bits)<br>α: 8388608<br>(23 bits)   | 16777216<br>(24 bits)          | 33554432<br>(25 bits)                   | 16777216<br>(24 bits)          |
| Revolutions  | 8192 via revolution counter  | –                              | αi: 4096                                | 4096                           |
| Code   | Pure binary  |                                |   |                                |
| Elec. perm. shaft speed                                | ≤ 15000 rpm for continuous position value  |                                |   |                                |
| Calculation time t <sub>cal</sub>                      | ≤ 5 μs   | ≤ 8 μs <sup>2)</sup>           | ≤ 5 μs                                  | ≤ 8 μs <sup>2)</sup>           |
| <b>System accuracy</b>                                 | ±20"   |                                |   |                                |
| <b>Electrical connection</b>                           | M12 flange socket, radial  |                                |   |                                |
| Cable length   | ≤ 30 m   | ≤ 95 m <sup>3)</sup>           | ≤ 30 m                                  | ≤ 95 m <sup>3)</sup>           |
| DC supply voltage                                      | 3.6 V to 14 V  | 10 V to 36 V                   | 3.6 V to 14 V                           | 10 V to 36 V                   |
| Power consumption (max.)                               | 5 V: ≤ 0.7 W<br>14 V: ≤ 0.8 W  | 10 V: ≤ 1.4 W<br>36 V: ≤ 1.5 W | 5 V: ≤ 0.75 W<br>14 V: ≤ 0.85 W         | 10 V: ≤ 1.4 W<br>36 V: ≤ 1.5 W |
| Current consumption (typical, without load)            | 5 V: 90 mA   | 24 V: 37 mA                    | 5 V: 100 mA                             | 24 V: 43 mA                    |
| <b>Shaft*</b>  | Blind hollow shaft or hollow through shaft Ø 12 mm;<br>with DRIVE-CLiQ, also available with blind hollow shaft Ø 10 mm                                 |                                |   |                                |
| Mech. perm. shaft speed n <sup>4)</sup>                | ≤ 6000 rpm/≤ 12000 rpm <sup>5)</sup>   |                                |   |                                |
| Starting torque (typical) at 20 °C                     | Blind hollow shaft: 0.01 Nm<br>Hollow through shaft: 0.025 Nm (with IP66: 0.075 Nm)  |                                |   |                                |
| Moment of inertia of rotor                             | ≤ 4.6 · 10 <sup>-6</sup> kgm <sup>2</sup>  |                                |   |                                |
| Permissible axial motion of measured shaft             | ±1 mm  |                                |   |                                |
| <b>Vibration</b> 55 Hz to 2000 Hz<br><b>Shock</b> 6 ms | ≤ 150 m/s <sup>2</sup> (EN 60068-2-6)<br>≤ 2000 m/s <sup>2</sup> (EN 60068-2-27)   |                                |   |                                |
| <b>Max. operating temp.</b> <sup>4)</sup>              | 100 °C   |                                |   |                                |
| <b>Min. operating temp.</b>                            | -30 °C   |                                |   |                                |
| <b>Protection</b> EN 60529                             | At housing: IP67 (IP66 with hollow through shaft); at shaft inlet: IP64 (at DQ01 Ø 12 mm with blind hollow shaft, Fanuc06, Mit03-4, IP66 upon request) |                                |   |                                |
| <b>Mass</b>  | ≈ 0.3 kg   |                                |   |                                |
| <b>Valid for ID</b>                                    | 1081302-xx   | 1036798-xx <sup>6)</sup>       | 1081301-xx                              | 1036801-xx <sup>6)</sup>       |

\* Please select when ordering

1) Optimized for Fanuc machine tool controls

2) Calculation time TIME\_MAX\_ACTVAL

3) See the *Interfaces of HEIDENHAIN Encoders* brochure; with n<sub>EN</sub> = 1 (including adapter cable)

4) For the relationship of operating temperature to shaft speed and supply voltage, see *General mechanical information*.

5) With two shaft clampings (only with hollow through shaft)

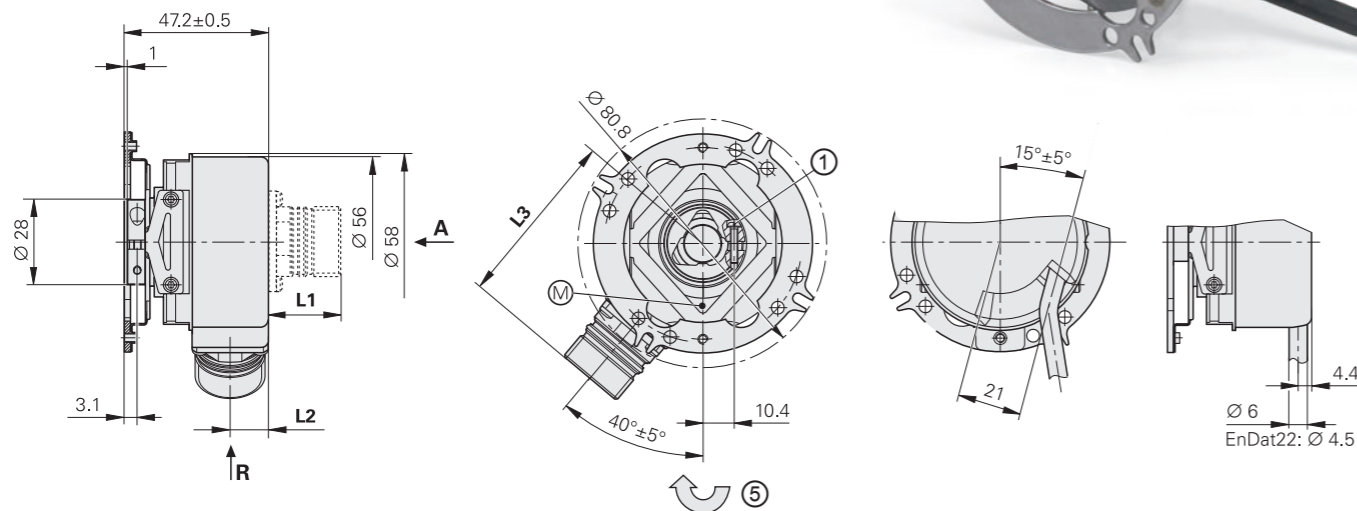
6) Also available with functional safety; for dimensions and specifications, see Product Information document

# ECN/EQN/ERN 400 series

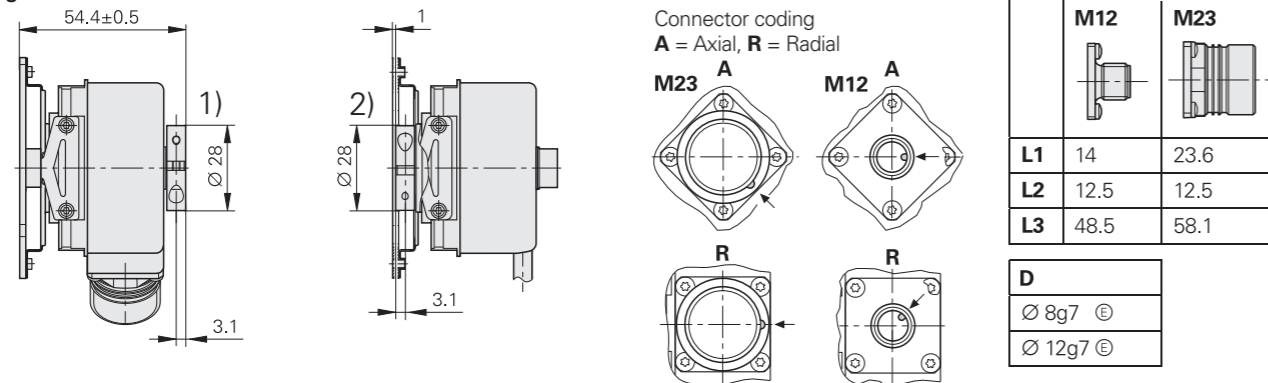
## Absolute and incremental rotary encoders

- Stator coupling for universal mounting
- Blind hollow shaft or hollow through shaft

### Blind hollow shaft

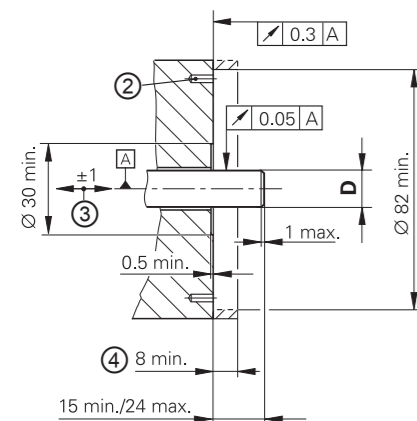


### Hollow through shaft

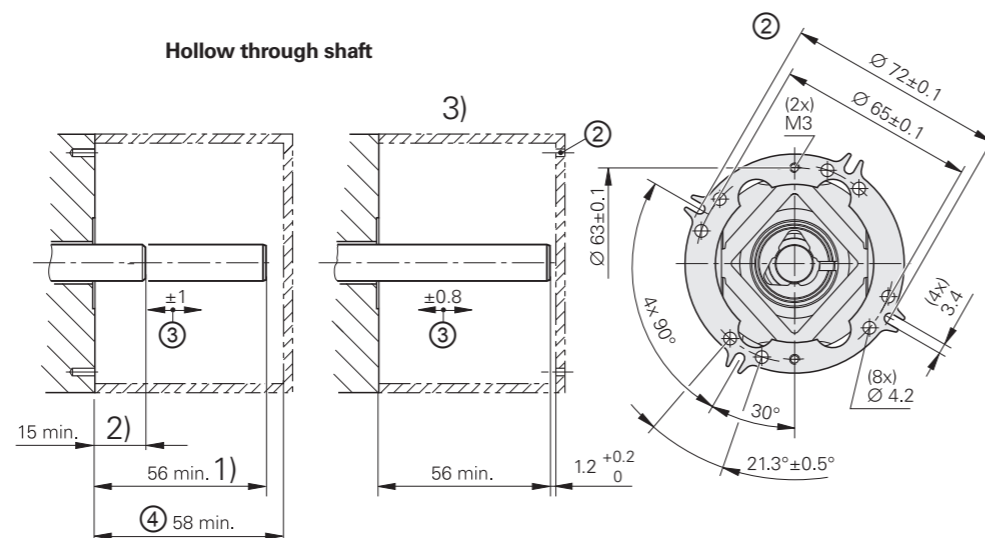


### Required mating dimensions

#### Blind hollow shaft

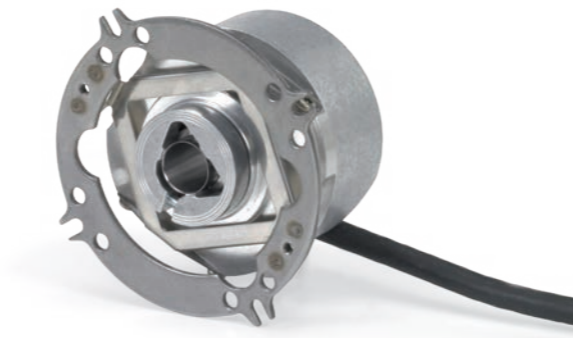


#### Hollow through shaft



mm  
 Tolerancing ISO 8015  
 ISO 2768 - m H  
 < 6 mm: ±0.2 mm

- Radial cable (can also be used axially)
- = Bearing of mating shaft
- = Measuring point for operating temperature
- 1 = Clamping screw with X8 hexalobular socket
- 2 = Hole pattern for fastening, see coupling
- 3 = Compensation of mounting tolerances and thermal expansion; no dynamic motion permitted
- 4 = Ensure protection against contact (EN 60529)
- 5 = Direction of shaft rotation for output signals as per the interface description
- 1) = Clamping ring on housing side (delivery condition)
- 2) = Clamping ring on coupling side (optionally mountable)



|  | Incremental  |  |                      |                      |
|--|--|--|----------------------|----------------------|
|  | ERN 420  | ERN 460                                      | ERN 430              | ERN 480              |
| Interface                                  | TTL  |  | HTL                  | $\sim 1 V_{PP}^{1)}$ |
| Line counts*                               | 250 500  | 1000 1024 1250 2000 2048 2500 3600 4096 5000 |                      | -                    |
| Reference mark                             | One  |  |                      |                      |
| Cutoff frequency -3 dB                     | -  |  |                      | ≥ 180 kHz            |
| Output frequency                           | ≤ 300 kHz  |  |                      | -                    |
| Edge separation a                          | ≥ 0.39 μs  |  |                      | -                    |
| System accuracy                            | 1/20 of grating period   |  |                      |                      |
| Electrical connection*                     | <ul style="list-style-type: none"> <li>• M23 flange socket, radial and axial (with blind hollow shaft)</li> <li>• Cable (1 m), free cable end</li> </ul> |  |                      |                      |
| Supply voltage                             | DC 5 V ±0.5 V  | DC 10 V to 30 V                              | DC 10 V to 30 V      | DC 5 V ±0.5 V        |
| Current consumption without load           | ≤ 120 mA   | ≤ 100 mA                                     | ≤ 150 mA             | ≤ 120 mA             |
| Shaft*                                     | Blind hollow shaft or hollow through shaft; Ø 8 mm or Ø 12 mm  |  |                      |                      |
| Mech. perm. shaft speed $n^{2)}$           | ≤ 6000 rpm/≤ 12000 rpm <sup>3)</sup>   |  |                      |                      |
| Starting torque (typical) at 20 °C         | Blind hollow shaft: 0.01 Nm<br>Hollow through shaft: 0.025 Nm (with IP66: 0.075 Nm)  |  |                      |                      |
| Moment of inertia of rotor                 | ≤ 4.3 · 10 <sup>-6</sup> kgm <sup>2</sup>  |  |                      |                      |
| Permissible axial motion of measured shaft | ±1 mm  |  |                      |                      |
| Vibration 55 Hz to 2000 Hz                 | ≤ 300 m/s <sup>2</sup> ; flange socket version: 150 m/s <sup>2</sup> (EN 60068-2-6); higher values upon request  |  |                      |                      |
| Shock 6 ms                                 | ≤ 2000 m/s <sup>2</sup> (EN 60068-2-27)  |  |                      |                      |
| Max. operating temp. <sup>2)</sup>         | 100 °C   | 70 °C  | 100 °C <sup>4)</sup> |                      |
| Min. operating temp.                       | Flange socket or fixed cable: -40 °C; moving cable: -10 °C   |  |                      |                      |
| Protection EN 60529                        | At housing: IP67 (IP66 with hollow through shaft)<br>At shaft inlet: IP64 (when Ø 12 mm, IP66 possible upon request)                                     |  |                      |                      |
| Mass                                       | ≈ 0.3 kg   |  |                      |                      |
| Valid for ID                               | 385424-xx  | 385464-xx                                    | 385434-xx            | 385483-xx            |

**Bold:** This preferred version is available on short notice.

\* Please select when ordering


1) Limited tolerances: signal amplitude: 0.8 V<sub>PP</sub> to 1.2 V<sub>PP</sub>

2) For the relationship of operating temperature to shaft speed and supply voltage, see *General mechanical information*

3) With two shaft clampings (only with hollow through shaft)

4) 80 °C for ERN 480 with 4096 or 5000 lines



|  | Absolute   |  |                                       |  |  |                                       |
|--|--|--|---------------------------------------|--|--|---------------------------------------|
|  | Singletum  |  |                                       | Multitum   |  |                                       |
|  | ECN 425  | ECN 413  |                                       | EQN 437  | EQN 425  |                                       |
| <b>Interface*</b>  | EnDat 2.2  | EnDat 2.2  | SSI                                   | EnDat 2.2  | EnDat 2.2  | SSI                                   |
| Ordering designation   | EnDat22  | EnDat01  | SSI39r1                               | EnDat22  | EnDat01  | SSI41r1                               |
| Positions per revolution   | 33554432 (25 bits)   | 8192 (13 bits)   |                                       | 33554432 (25 bits)   | 8192 (13 bits)   |                                       |
| Revolutions  | –  |  |                                       | 4096   |  |                                       |
| Code   | Pure binary  |  | Gray                                  | Pure binary  |  | Gray                                  |
| Elec. permiss. shaft speed Deviations <sup>1)</sup>                              | ≤ 12000 rpm for continuous position value  | 512 lines: ≤ 5000/12000 rpm ±1 LSB/±100 LSB<br>2048 lines: ≤ 1500/12000 rpm ±1 LSB/±50 LSB | ≤ 12000 rpm ±12 LSB                   | ≤ 12000 rpm for continuous position value                      | 512 lines: ≤ 5000/10000 rpm ±1 LSB/±100 LSB<br>2048 lines: ≤ 1500/10000 rpm ±1 LSB/±50 LSB | ≤ 12000 rpm ±12 LSB                   |
| Calculation time t <sub>cal</sub><br>Clock frequency                             | ≤ 7 μs<br>≤ 8 MHz  | ≤ 9 μs<br>≤ 2 MHz  | ≤ 5 μs<br>–                           | ≤ 7 μs<br>≤ 8 MHz  | ≤ 9 μs<br>≤ 2 MHz  | ≤ 5 μs<br>–                           |
| Incremental signals  | Without  | ~ 1 V <sub>PP</sub> <sup>2)</sup>  |                                       | Without  | ~ 1 V <sub>PP</sub> <sup>2)</sup>  |                                       |
| Line counts*   | –  | 512 2048   | 512                                   | –  | 512 2048   | 512                                   |
| Cutoff frequency –3 dB<br>Output frequency                                       | –<br>–   | 512 lines: ≥ 130 kHz; 2048 lines: ≥ 400 kHz<br>–   |                                       | –<br>–   | 512 lines: ≥ 130 kHz; 2048 lines: ≥ 400 kHz<br>–   |                                       |
| <b>System accuracy</b>   | ±20"   | 512 lines: ±60"; 2048 lines: ±20"  |                                       | ±20"   | 512 lines: ±60"; 2048 lines: ±20"  |                                       |
| <b>Electrical connection*</b>  | • M12 flange socket, radial<br>• Cable (1 m) with M12 coupling   | • M23 flange socket, radial<br>• Cable (1 m) with M23 coupling or free cable end           |                                       | • M12 flange socket, radial<br>• Cable (1 m) with M12 coupling | • M23 flange socket, radial<br>• Cable (1 m) with M23 coupling or free cable end           |                                       |
| Supply voltage   | DC 3.6 V to 14 V   | DC 3.6 V to 14 V   | DC 4.75 V to 30 V                     | DC 3.6 V to 14 V   | DC 3.6 V to 14 V   | DC 4.75 V to 30 V                     |
| Power consumption (max.)   | 3.6 V: ≤ 0.6 W<br>14 V: ≤ 0.7 W  | 5 V: ≤ 0.8 W<br>10 V: ≤ 0.65 W<br>30 V: ≤ 1 W  |                                       | 3.6 V: ≤ 0.7 W<br>14 V: ≤ 0.8 W                                | 5 V: ≤ 0.95 W<br>10 V: ≤ 0.75 W<br>30 V: ≤ 1.1 W   |                                       |
| Current consumption (typical, without load)                                      | 5 V: 85 mA   | 5 V: 90 mA<br>24 V: 24 mA  |                                       | 5 V: 105 mA  | 5 V: 120 mA<br>24 V: 28 mA   |                                       |
| <b>Shaft*</b>  | <b>Blind hollow shaft</b> or hollow through shaft; Ø 8 mm or Ø 12 mm   |  |                                       |  |  |                                       |
| Mech. permiss. shaft speed n <sup>3)</sup>                                       | ≤ 6000 rpm/≤ 12000 rpm <sup>4)</sup>   |  |                                       |  |  |                                       |
| Starting torque (typical) at 20 °C   | Blind hollow shaft: 0.01 Nm<br>Hollow through shaft: 0.025 Nm (with IP66: 0.075 Nm)  |  |                                       |  |  |                                       |
| Moment of inertia of rotor   | ≤ 4.3 · 10 <sup>-6</sup> kgm <sup>2</sup>  |  |                                       |  |  |                                       |
| Permissible axial motion of measured shaft                                       | ±1 mm  |  |                                       |  |  |                                       |
| <b>Vibration</b> 55 Hz to 2000 Hz<br><b>Shock</b> 6 ms                           | ≤ 300 m/s <sup>2</sup> ; flange socket version: 150 m/s <sup>2</sup> (EN 60068-2-6); higher values upon request<br>≤ 2000 m/s <sup>2</sup> (EN 60068-2-27) |  |                                       |  |  |                                       |
| <b>Max. operating temp.</b> <sup>3)</sup>  | 100 °C   |  |                                       |  |  |                                       |
| <b>Min. operating temp.</b>  | Flange socket or fixed cable: –40 °C; moving cable: –10 °C   |  |                                       |  |  |                                       |
| <b>Protection</b> EN 60529   | At housing: IP67 (IP66 with hollow through shaft)<br>At shaft inlet: IP64 (when Ø 12 mm, IP66 possible upon request)                                       |  |                                       |  |  |                                       |
| <b>Mass</b>  | ≈ 0.3 kg   |  |                                       |  |  |                                       |
| <b>Valid for ID</b>  | 683644-xx / 1178024-xx <sup>5)</sup>   | 1065932-xx   | 1132405-xx / 1353129-xx <sup>5)</sup> | 683646-xx / 1178025-xx <sup>5)</sup>                           | 1109258-xx   | 1132407-xx / 1353131-xx <sup>5)</sup> |

**Bold:** This preferred version is available on short notice.

<sup>1)</sup> Speed-dependent deviations between absolute value and incremental signal

\* Please select when ordering

<sup>2)</sup> Limited tolerances: signal amplitude: 0.8 V<sub>PP</sub> to 1.2 V<sub>PP</sub>

<sup>3)</sup> For the relationship of operating temperature to shaft speed and supply voltage, see *General mechanical information*

<sup>4)</sup> With two shaft clampings (only with hollow through shaft)

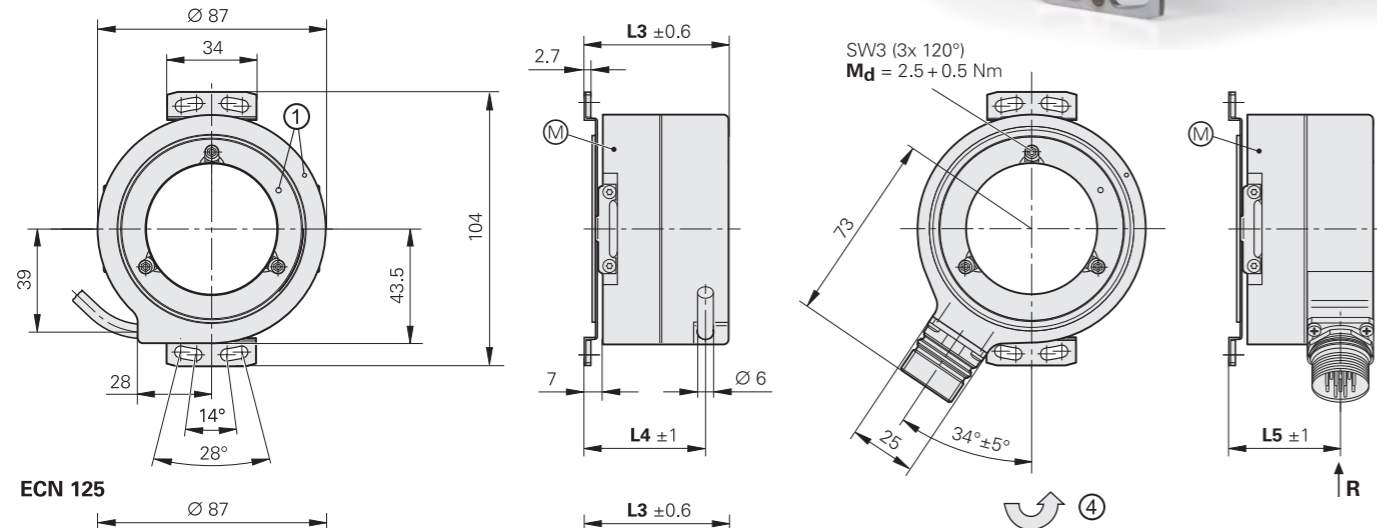
<sup>5)</sup> Successor variants

# ECN/ERN 100 series

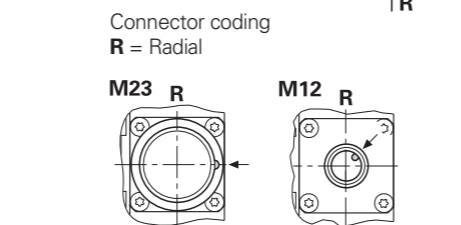
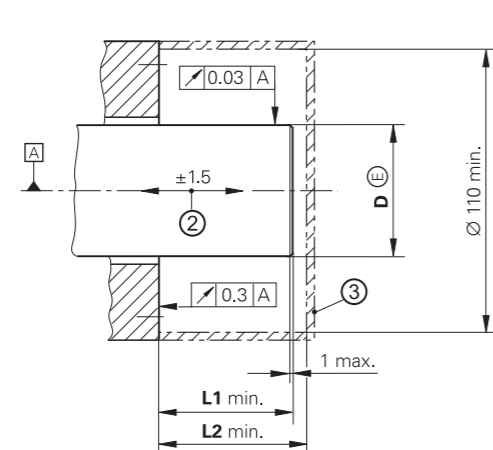
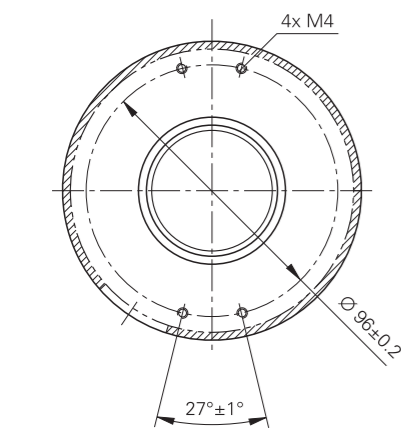
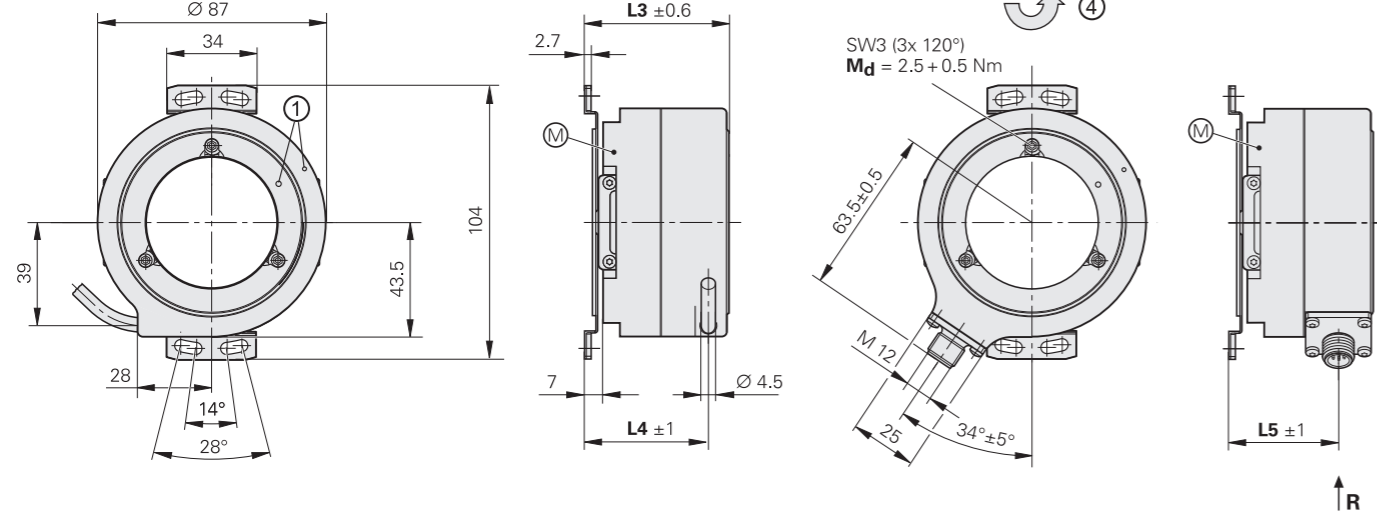
Absolute and incremental rotary encoders

- Stator coupling for plane surface
- Hollow through shaft

## ERN 1x0/ECN 113



## ECN 125



| D      | L1 | L2   | L3 | L4 | L5   |
|--------|----|------|----|----|------|
| Ø 20h7 | 41 | 43.5 | 40 | 32 | 26.5 |
| Ø 25h7 | 41 | 43.5 | 40 | 32 | 26.5 |
| Ø 38h7 | 56 | 58.5 | 55 | 47 | 41.5 |
| Ø 50h7 | 56 | 58.5 | 55 | 47 | 41.5 |

mm  
Tolerancing ISO 8015  
ISO 2768 - m H  
< 6 mm: ± 0.2 mm

- Radial cable (can also be used axially)
- ⊠ = Bearing
  - ⊙ = Measuring point for operating temperature
  - 1 = ERN: reference mark position ± 15°; ECN: zero position ± 15°
  - 2 = Compensation of mounting tolerances and thermal expansion; no dynamic motion permitted
  - 3 = Ensure protection against contact (EN 60529)
  - 4 = Direction of shaft rotation for output signals as per the interface description



|   | Absolute  |   | Incremental   |                 |                                   |
|---|---|---|---|-----------------|-----------------------------------|
|   | Singleturn  |   |   |                 |                                   |
|   | ECN 125   | ECN 113   | ERN 120   | ERN 130         | ERN 180                           |
| <b>Interface</b>  | <b>EnDat 2.2</b>  | <b>EnDat 2.2</b>  | □ TTL   | □ HTL           | ~ 1 V <sub>PP</sub> <sup>2)</sup> |
| Ordering designation  | EnDat22   | EnDat01   | -   |                 |                                   |
| Positions per revolution  | 33554432 (25 bits)  | 8192 (13 bits)  | -   |                 |                                   |
| Code  | Pure binary   |   | -   |                 |                                   |
| Elec. perm. shaft speed<br>Deviations <sup>1)</sup>               | n <sub>max</sub> for continuous<br>position value   | ≤ 600 rpm/n <sub>max</sub><br>± 1 LSB/± 50 LSB  | -   |                 |                                   |
| Calculation time t <sub>cal</sub><br>Clock frequency              | ≤ 7 μs<br>≤ 16 MHz  | ≤ 9 μs<br>≤ 2 MHz   | -   |                 |                                   |
| Incremental signals   | Without   | ~ 1 V <sub>PP</sub> <sup>2)</sup>   | □ TTL   | □ HTL           | ~ 1 V <sub>PP</sub> <sup>2)</sup> |
| Line counts*  | -   | 2048  | 1000 <b>1024</b> 2048   | 2500 3600       | <b>5000</b>                       |
| Reference mark  | -   | -   | One   |                 |                                   |
| Cutoff frequency -3 dB  | -   | ≥ 400 kHz typical   | -   |                 |                                   |
| Output frequency  | -   | -   | ≤ 300 kHz   |                 |                                   |
| Edge separation a   | -   | -   | ≥ 0.39 μs   |                 |                                   |
| <b>System accuracy</b>  | ± 20"   |   | 1/20 of grating period  |                 |                                   |
| <b>Electrical connection*</b>                                     | <ul style="list-style-type: none"> <li>• M12 flange socket, radial</li> <li>• Cable (1 m/5 m) with M12 coupling</li> </ul>  | <ul style="list-style-type: none"> <li>• M23 flange socket, radial</li> <li>• Cable (1 m/5 m) with or without M23 coupling</li> </ul> | <ul style="list-style-type: none"> <li>• M23 flange socket, radial</li> <li>• Cable (1 m/5 m) with or without M23 coupling</li> </ul> |                 |                                   |
| Supply voltage  | DC 3.6 V to 14 V  |   | DC 5 V ± 0.5 V  | DC 10 V to 30 V | DC 5 V ± 0.5 V                    |
| Power consumption (max.)  | 3.6 V: ≤ 620 mW/14 V: ≤ 720 mW  |   | -   |                 |                                   |
| Current consump. w/o load   | 5 V: ≤ 85 mA (typical)  |   | ≤ 120 mA  | ≤ 150 mA        | ≤ 120 mA                          |
| <b>Shaft*</b>   | Hollow through shaft Ø 20 mm, Ø 25 mm, Ø 38 mm, Ø 50 mm   |   |   |                 |                                   |
| Mech. perm. shaft speed n <sup>3)</sup>                           | Ø > 30 mm: ≤ 4000 rpm; Ø ≤ 30 mm: ≤ 6000 rpm  |   |   |                 |                                   |
| Starting torque (typical) at 20 °C                                | Ø > 30 mm: 0.2 Nm<br>Ø ≤ 30 mm: 0.15 Nm   |   |   |                 |                                   |
| Moment of inertia of rotor/<br>angular acceleration <sup>4)</sup> | Ø 50 mm 220 · 10 <sup>-6</sup> kgm <sup>2</sup> /≤ 5 · 10 <sup>4</sup> rad/s <sup>2</sup> ; Ø 38 mm 350 · 10 <sup>-6</sup> kgm <sup>2</sup> /≤ 2 · 10 <sup>4</sup> rad/s <sup>2</sup><br>Ø 25 mm 96 · 10 <sup>-6</sup> kgm <sup>2</sup> /≤ 3 · 10 <sup>4</sup> rad/s <sup>2</sup> ; Ø 20 mm 100 · 10 <sup>-6</sup> kgm <sup>2</sup> /≤ 3 · 10 <sup>4</sup> rad/s <sup>2</sup> |   |   |                 |                                   |
| Permissible axial motion of measured shaft                        | ± 1.5 mm  |   |   |                 |                                   |
| <b>Vibration</b> 55 Hz to 2000 Hz<br><b>Shock</b> 6 ms            | ≤ 200 m/s <sup>2</sup> ; flange socket version: ≤ 100 m/s <sup>2</sup> (EN 60068-2-6)<br>≤ 1000 m/s <sup>2</sup> (EN 60068-2-27)  |   |   |                 |                                   |
| <b>Max. operating temp.</b> <sup>3)</sup>                         | 100 °C (85 °C with ERN 130)   |   |   |                 |                                   |
| <b>Min. operating temp.</b>                                       | Flange socket or fixed cable: -40 °C; moving cable: -10 °C  |   |   |                 |                                   |
| <b>Protection</b> EN 60529  | IP64  |   |   |                 |                                   |
| <b>Mass</b>   | 0.6 kg to 0.9 kg depending on the hollow-shaft version  |   |   |                 |                                   |
| <b>Valid for ID</b>   | 810801-xx   | 810800-xx   | 589611-xx   | 589612-xx       | 589614-xx                         |

**Bold:** This preferred version is available on short notice. \* Please select when ordering

1) Speed-dependent deviations between absolute value and incremental signal

2) Limited tolerances: signal amplitude: 0.8 V<sub>PP</sub> to 1.2 V<sub>PP</sub>

3) For the relationship between shaft speed and operating temperature, see *General mechanical information*

4) At room temperature, calculated; mating shaft material: 1.4104

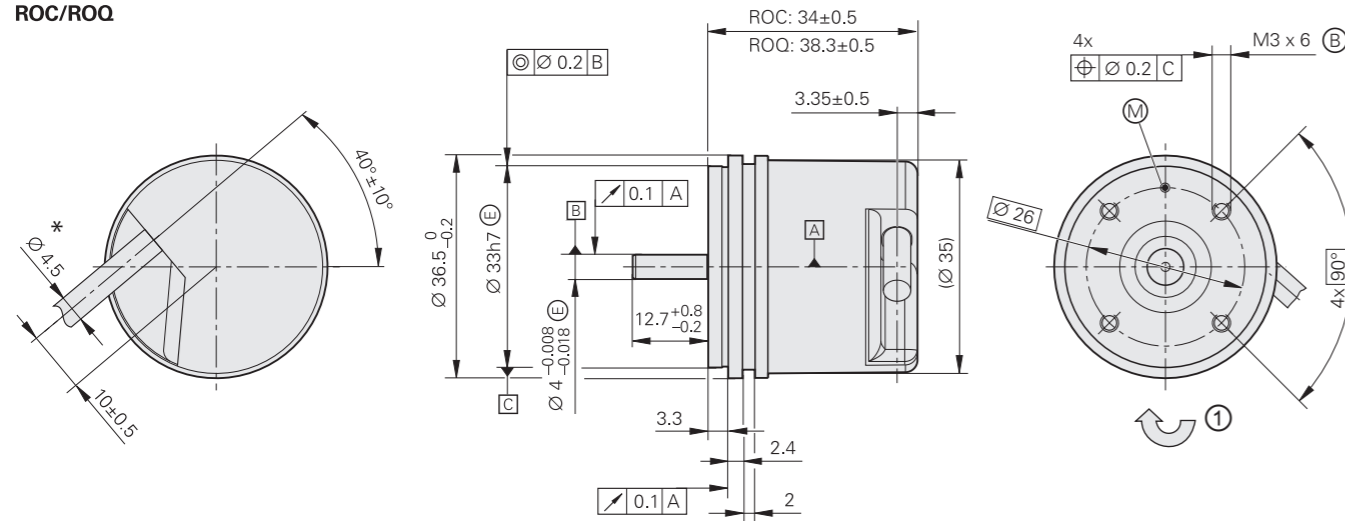
# ROC/ROQ/ROD 1000 series

Absolute and incremental rotary encoders

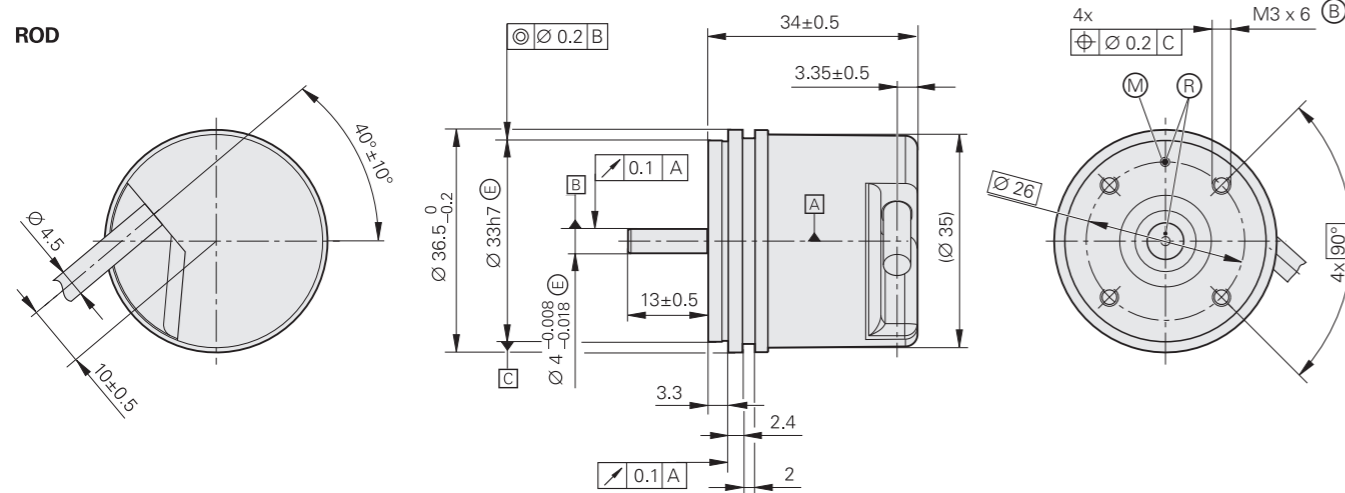
- Synchro flange
- Solid shaft for separate shaft coupling



## ROC/ROQ



## ROD



mm  
  
 Tolerancing ISO 8015  
 ISO 2768 - m H  
 < 6 mm:  $\pm 0.2$  mm

Radial cable (can also be used axially)  
 \* =  $\varnothing 3.7$  mm in the case of encoders with DRIVE-CLiQ interface  
 A = Bearing  
 B = Fastening thread  
 M = Measuring point for operating temperature  
 R = Reference mark position  $\pm 20^\circ$   
 1 = Direction of shaft rotation for output signals as per the interface description


|                                    | Incremental                                  |                     |   |   |
|------------------------------------|--|---------------------|---|---|
|                                    | ROD 1020                                     | ROD 1030            | ROD 1080  | ROD 1070                                  |
| Interface                          |  |                     | $\sim 1 V_{PP}^{1)}$  |   |
| Line counts*                       | 100<br><b>1000</b>                           | 200<br><b>1024</b>  | <b>250</b><br>360<br>400<br><b>500</b><br>720<br>900<br><b>2048</b><br><b>2500</b><br><b>3600</b> | <b>1000</b><br><b>2500</b><br><b>3600</b> |
| Reference mark                     | One  |                     |   |   |
| Integrated interpolation*          | -  |                     | 5-fold  | 10-fold                                   |
| Cutoff frequency -3 dB             | -  | -                   | $\geq 180$ kHz  | -   |
| Scanning frequency                 | $\leq 300$ kHz                               | $\leq 160$ kHz      | -   | $\leq 100$ kHz                            |
| Edge separation a                  | $\geq 0.39$ $\mu$ s                          | $\geq 0.76$ $\mu$ s | -   | $\geq 0.47$ $\mu$ s                       |
| System accuracy                    | 1/20 of grating period                       |                     |   |   |
| Electrical connection              | Cable (1 m/5 m) with or without M23 coupling |                     |   | Cable (5 m), free cable end               |
| Supply voltage                     | DC 5 V $\pm 0.5$ V                           | DC 10 V to 30 V     | DC 5 V $\pm 0.5$ V  | DC 5 V $\pm 5$ %                          |
| Current consumption without load   | $\leq 120$ mA                                | $\leq 150$ mA       | $\leq 120$ mA   | $\leq 155$ mA                             |
| Shaft                              | Solid shaft $\varnothing 4$ mm               |                     |   |   |
| Mech. permiss. shaft speed n       | $\leq 12000$ rpm                             |                     |   |   |
| Starting torque (typical)          | 0.001 Nm (at 20 °C)                          |                     |   |   |
| Moment of inertia of rotor         | $\leq 0.5 \cdot 10^{-6}$ kgm <sup>2</sup>    |                     |   |   |
| Shaft load                         | Axial: 5 N<br>Radial: 10 N at shaft end      |                     |   |   |
| Vibration 55 Hz to 2000 Hz         | $\leq 100$ m/s <sup>2</sup> (EN 60068-2-6)   |                     |   |   |
| Shock 6 ms                         | $\leq 1000$ m/s <sup>2</sup> (EN 60068-2-27) |                     |   |   |
| Max. operating temp. <sup>2)</sup> | 100 °C                                       | 70 °C               | 100 °C  | 70 °C                                     |
| Min. operating temp.               | Fixed cable: -30 °C; moving cable: -10 °C    |                     |   |   |
| Protection EN 60529                | IP64   |                     |   |   |
| Mass                               | $\approx 0.09$ kg                            |                     |   |   |
| Valid for ID                       | 534900-x                                     | 534901-xx           | 534904-xx   | 534903-xx                                 |

**Bold:** This preferred version is available on short notice.

\* Please select when ordering

1) Limited tolerances: signal amplitude:  $0.8 V_{PP}$  to  $1.2 V_{PP}$

2) For the relationship of operating temperature to shaft speed and supply voltage, see *General mechanical information*

|  | Absolute   |                                       |   |   |                                       |   |
|---|--|---------------------------------------|---|---|---------------------------------------|---|
|   | Singletum  |                                       |   | Multitum                                  |                                       |   |
|   | ROC 1023   | ROC 1013                              | ROC 1023 S                                | ROQ 1035                                  | ROQ 1025                              | ROQ 1035 S                                |
| <b>Interface*</b>   | EnDat 2.2  | EnDat 2.2                             | DRIVE-CLiQ                                | EnDat 2.2                                 | EnDat 2.2                             | DRIVE-CLiQ                                |
| Ordering designation  | EnDat22  | EnDat01                               | DQ01                                      | EnDat22                                   | EnDat01                               | DQ01                                      |
| Firmware <sup>1)</sup>  | –  | –                                     | 01.32.26.53                               | –   | –                                     | 01.32.26.53                               |
| Positions per revolution  | 8388608 (23 bits)  | 8192 (13 bits)                        | 8388608 (23 bits)                         | 8388608 (23 bits)                         | 8192 (13 bits)                        | 8388608 (23 bits)                         |
| Revolutions   | –  |                                       |   | 4096 (12 bits)                            |                                       |   |
| Code  | Pure binary  |                                       | Pure binary                               | Pure binary                               |                                       | Pure binary                               |
| Elec. permiss. shaft speed Deviations <sup>2) 5)</sup>                            | ≤ 12000 rpm for continuous position value  | ≤ 4000 rpm/≤ 12000 rpm ±1 LSB/±16 LSB | ≤ 12000 rpm for continuous position value | ≤ 12000 rpm for continuous position value | ≤ 4000 rpm/≤ 12000 rpm ±1 LSB/±16 LSB | ≤ 12000 rpm for continuous position value |
| Calculation time $t_{cal}$<br>Clock frequency                                     | ≤ 7 μs<br>≤ 8 MHz  | ≤ 9 μs<br>≤ 2 MHz                     | ≤ 8 μs <sup>3)</sup>                      | ≤ 7 μs<br>≤ 8 MHz                         | ≤ 9 μs<br>≤ 2 MHz                     | ≤ 8 μs <sup>3)</sup>                      |
| Incremental signals   | –  | ~ 1 V <sub>PP</sub> <sup>4)</sup>     | –   | –   | ~ 1 V <sub>PP</sub> <sup>4)</sup>     | –   |
| Line count  | –  | 512                                   | –   | –   | 512                                   | –   |
| Cutoff frequency –3 dB  | –  | ≥ 190 kHz                             | –   | –   | ≥ 190 kHz                             | –   |
| <b>System accuracy</b>  | ±60''  |                                       |   |   |                                       |   |
| <b>Electrical connection</b>  | Cable (1 m) with M12 coupling  | Cable (1 m) with M23 coupling         | Cable (1 m) with M12 coupling             | Cable (1 m) with M12 coupling             | Cable (1 m) with M23 coupling         | Cable (1 m) with M12 coupling             |
| Supply voltage  | DC 3.6 V to 14 V   |                                       | DC 10 V to 28.8 V                         | DC 3.6 V to 14 V                          |                                       | DC 10 V to 28.8 V                         |
| Power consumption (maximum)   | 3.6 V: ≤ 0.6 W<br>14 V: ≤ 0.7 W  |                                       | 10 V: ≤ 850 mW<br>28.8 V: ≤ 900 mW        | 3.6 V: ≤ 0.7 W<br>14 V: ≤ 0.8 W           |                                       | 10 V: ≤ 950 mW<br>28.8 V: ≤ 1000 mW       |
| Current consumption (typical, without load)                                       | 5 V: 85 mA   |                                       | 24 V: 32 mA                               | 5 V: 105 mA                               |                                       | 24 V: 35 mA                               |
| <b>Shaft</b>  | Solid shaft Ø 4 mm   |                                       |   |   |                                       |   |
| Mech. permiss. shaft speed $n$  | 12000 rpm  |                                       |   |   |                                       |   |
| Starting torque (typical)   | 0.001 Nm (at 20 °C)  |                                       |   | 0.002 Nm (at 20 °C)                       |                                       |   |
| Moment of inertia of rotor  | ≈ 0.5 · 10 <sup>-6</sup> kgm <sup>2</sup>  |                                       |   |   |                                       |   |
| Shaft load  | Axial: 5 N<br>Radial: 10 N at shaft end  |                                       |   |   |                                       |   |
| <b>Vibration</b> 55 Hz to 2000 Hz<br><b>Shock</b> 6 ms                            | ≤ 100 m/s <sup>2</sup> (EN 60068-2-6)<br>≤ 1000 m/s <sup>2</sup> (EN 60068-2-27) |                                       |   |   |                                       |   |
| <b>Max. operating temp.</b>   | 100 °C   |                                       | 95 °C                                     | 100 °C                                    |                                       | 95 °C                                     |
| <b>Min. operating temp.</b>   | Fixed cable: –30 °C; moving cable: –10 °C  |                                       |   |   |                                       |   |
| <b>Protection</b> EN 60529  | IP64   |                                       |   |   |                                       |   |
| <b>Mass</b>   | ≈ 0.09 kg  |                                       |   |   |                                       |   |
| <b>Valid for ID</b>   | 606693-xx  | 606691-xx                             | 1211021-xx                                | 606696-xx                                 | 606694-xx                             | 1211022-xx                                |

\* Please select when ordering

<sup>1)</sup> SINAMICS/SIMOTION: ≥ V4.4 HF4; SINUMERIK without safety ≥ V4.4 SP1 HF3 (as per document: "Certified encoders with DRIVE-CLiQ Dependencies on SIMOTION / SINUMERIK and SINAMICS Hardware and Software versions" (version: 12/2018))

<sup>2)</sup> Speed-dependent deviations between absolute and incremental signals

<sup>3)</sup> Calculation time TIME\_MAX\_ACTVAL

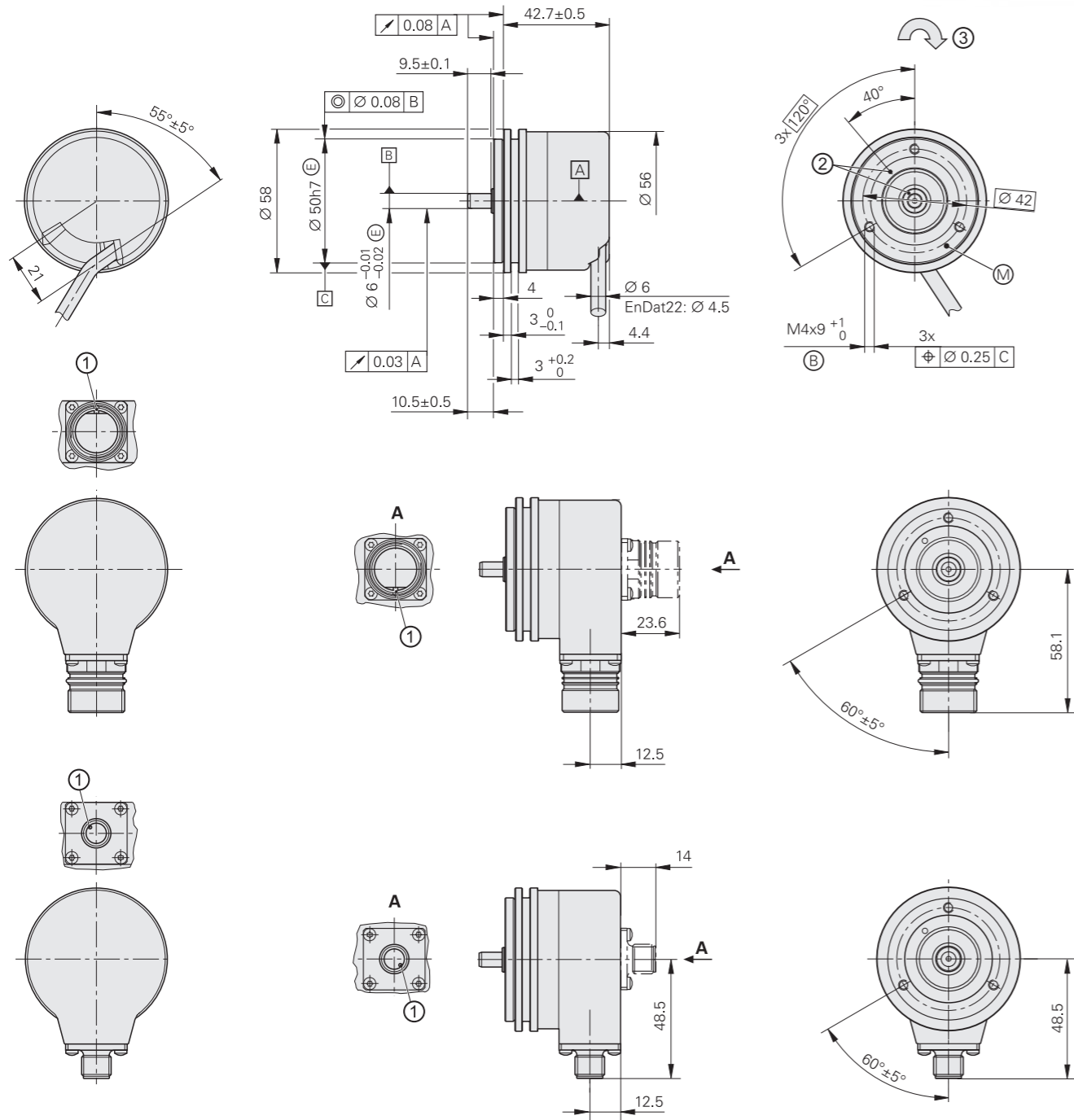
<sup>4)</sup> Limited tolerances: signal amplitude: 0.8 V<sub>PP</sub> to 1.2 V<sub>PP</sub>

<sup>5)</sup> For the DRIVE-CLiQ interface with ≥ 2 position requests per revolution

# ROC/ROQ/ROD 400 series

Absolute and incremental rotary encoders

- Synchro flange
- Solid shaft for separate shaft coupling



mm  
 Tolerancing ISO 8015  
 ISO 2768 - m H  
 < 6 mm:  $\pm 0.2$  mm

Radial cable (can also be used axially)  
 = Bearing  
 = Fastening thread  
 = Measuring point for operating temperature  
 1 = Connector coding  
 2 = ROD reference mark position on shaft and flange  $\pm 30^\circ$   
 3 = Direction of shaft rotation for output signals as per the interface description

|                                    | Incremental  |             |             |                 |      |             |                      |             |             |                         |             |  |
|------------------------------------|--|-------------|-------------|-----------------|------|-------------|----------------------|-------------|-------------|-------------------------|-------------|--|
|                                    | ROD 426  |             |             | ROD 466         |      |             | ROD 436              |             |             | ROD 486                 |             |  |
| Interface                          | TTL  |             |             |                 |      |             | HTL                  |             |             | $\sim 1 V_{PP}^{1)}$    |             |  |
| Line counts*                       | 50   | 100         | 150         | 200             | 250  | 360         | <b>500</b>           | 512         | 720         | -                       |             |  |
|                                    | <b>1000</b>  | <b>1024</b> | <b>1250</b> | 1500            | 1800 | <b>2000</b> | <b>2048</b>          | <b>2500</b> | <b>3600</b> | <b>4096</b>             | <b>5000</b> |  |
|                                    | 6000 <sup>2)</sup> 8192 <sup>2)</sup> 9000 <sup>2)</sup> 10000 <sup>2)</sup>   |             |             |                 |      |             | -                    |             |             |                         |             |  |
| Reference mark                     | One  |             |             |                 |      |             |                      |             |             |                         |             |  |
| Cutoff frequency -3 dB             | -  |             |             |                 |      |             |                      |             |             | $\geq 180$ kHz          |             |  |
| Scanning frequency                 | $\leq 300$ kHz/ $\leq 150$ kHz <sup>2)</sup>   |             |             |                 |      |             |                      |             |             | -                       |             |  |
| Edge separation a                  | $\geq 0.39 \mu s$ / $\geq 0.25 \mu s$ <sup>2)</sup>  |             |             |                 |      |             |                      |             |             | -                       |             |  |
| System accuracy                    | 1/20 of grating period   |             |             |                 |      |             |                      |             |             |                         |             |  |
| Electrical connection*             | <ul style="list-style-type: none"> <li>• <b>M23 flange socket</b>, radial and axial</li> <li>• <b>Cable (1 m/5 m)</b> with or <b>without M23 coupling</b></li> </ul> |             |             |                 |      |             |                      |             |             |                         |             |  |
| Supply voltage                     | DC 5 V $\pm 0.5$ V   |             |             | DC 10 V to 30 V |      |             | DC 10 V to 30 V      |             |             | DC 5 V $\pm 0.5$ V      |             |  |
| Current consumption without load   | $\leq 120$ mA  |             |             | $\leq 100$ mA   |      |             | $\leq 150$ mA        |             |             | $\leq 120$ mA           |             |  |
| Shaft                              | Solid shaft $\varnothing 6$ mm   |             |             |                 |      |             |                      |             |             |                         |             |  |
| Mech. permiss. shaft speed n       | $\leq 16000$ rpm   |             |             |                 |      |             |                      |             |             |                         |             |  |
| Starting torque (typical)          | 0.01 Nm (at 20 °C)   |             |             |                 |      |             |                      |             |             |                         |             |  |
| Moment of inertia of rotor         | $\leq 2.7 \cdot 10^{-6}$ kgm <sup>2</sup>  |             |             |                 |      |             |                      |             |             |                         |             |  |
| Shaft load <sup>3)</sup>           | Axial: $\leq 40$ N; radial: $\leq 60$ N at shaft end   |             |             |                 |      |             |                      |             |             |                         |             |  |
| Vibration 55 Hz to 2000 Hz         | $\leq 300$ m/s <sup>2</sup> (EN 60068-2-6)   |             |             |                 |      |             |                      |             |             |                         |             |  |
| Shock 6 ms                         | $\leq 2000$ m/s <sup>2</sup> (EN 60068-2-27)   |             |             |                 |      |             |                      |             |             |                         |             |  |
| Max. operating temp. <sup>4)</sup> | 100 °C   |             |             | 70 °C           |      |             | 100 °C <sup>5)</sup> |             |             |                         |             |  |
| Min. operating temp.               | Flange socket or fixed cable: -40 °C; moving cable: -10 °C   |             |             |                 |      |             |                      |             |             |                         |             |  |
| Protection EN 60529                | IP67 at housing; IP64 at shaft inlet (IP66 upon request)   |             |             |                 |      |             |                      |             |             |                         |             |  |
| Mass                               | $\approx 0.3$ kg   |             |             |                 |      |             |                      |             |             |                         |             |  |
| Valid for ID                       | 376846-xx  |             |             | 376866-xx       |      |             | 376836-xx            |             |             | 376886-xx <sup>6)</sup> |             |  |

**Bold:** This preferred version is available on short notice.

\* Please select when ordering

<sup>1)</sup> Limited tolerances: signal amplitude:  $0.8 V_{PP}$  to  $1.2 V_{PP}$




<sup>2)</sup> Signal periods; they are generated via 2-fold interpolation (TTL x 2)

<sup>3)</sup> See also *Mechanical design types and mounting*

<sup>4)</sup> For the relationship of operating temperature to shaft speed and supply voltage, see *General mechanical information*

<sup>5)</sup> 80 °C for ROD 486 with 4096 or 5000 lines

<sup>6)</sup> Available with mechanical fault exclusion; for deviating specifications and special mounting information, see the *Fault Exclusion Customer Information document*

|  | Absolute   |  |                                       | Multitum   |  |                                       |
|--|--|--|---------------------------------------|--|--|---------------------------------------|
|  | Singletum<br>ROC 425                        |  | ROC 413                               | ROQ 437                             |  | ROQ 425                               |
| Interface*   | EnDat 2.2  | EnDat 2.2  | SSI                                   | EnDat 2.2  | EnDat 2.2  | SSI                                   |
| Ordering designation   | EnDat22  | EnDat01  | SSI39r1                               | EnDat22  | EnDat01  | SSI41r1                               |
| Positions per revolution   | 33554432 (25 bits)   | 8192 (13 bits)   |                                       | 33554432 (25 bits)   | 8192 (13 bits)   | 8192 (13 bits)                        |
| Revolutions  | –  |  |                                       | 4096   |  |                                       |
| Code   | Pure binary  |  | Gray                                  | Pure binary  |  | Gray                                  |
| Elec. permiss. shaft speed<br>Deviations <sup>1)</sup>                           | ≤ 15000 rpm<br>for continuous position value   | 512 lines:<br>≤ 5000/12000 rpm<br>±1 LSB/±100 LSB<br>2048 lines:<br>≤ 1500/12000 rpm<br>±1 LSB/±50 LSB   | 12000 rpm<br>±12 LSB                  | ≤ 15000 rpm<br>for continuous position value   | 512 lines:<br>≤ 5000/10000 rpm<br>±1 LSB/±100 LSB<br>2048 lines:<br>≤ 1500/10000 rpm<br>±1 LSB/±50 LSB   | 12000 rpm<br>±12 LSB                  |
| Calculation time $t_{cal}$<br>Clock frequency                                    | ≤ 7 μs<br>≤ 8 MHz  | ≤ 9 μs<br>≤ 2 MHz  | ≤ 5 μs<br>–                           | ≤ 7 μs<br>≤ 8 MHz  | ≤ 9 μs<br>≤ 2 MHz  | ≤ 5 μs<br>–                           |
| Incremental signals  | Without  | $\sim 1 V_{PP}$ <sup>2)</sup>  |                                       | Without  | $\sim 1 V_{PP}$ <sup>2)</sup>  |                                       |
| Line counts*   | –  | 512 2048   | 512                                   | –  | 512 2048   | 512                                   |
| Cutoff frequency –3 dB   | –  | 512 lines: ≥ 130 kHz; 2048 Str.: ≥ 400 kHz   |                                       | –  | 512 lines: ≥ 130 kHz; 2048 lines: ≥ 400 kHz  |                                       |
| System accuracy  | ±20"   | 512 lines: ±60"; 2048 lines: ±20"  |                                       | ±20"   | 512 lines: ±60"; 2048 lines: ±20"  |                                       |
| Electrical connection*   | <ul style="list-style-type: none"> <li>• M12 flange socket, radial</li> <li>• Cable (1 m) with M12 coupling</li> </ul>       | <ul style="list-style-type: none"> <li>• M23 flange socket, axial or radial</li> <li>• Cable (1 m/5 m) with or without M23 coupling</li> </ul> |                                       | <ul style="list-style-type: none"> <li>• M12 flange socket, radial</li> <li>• Cable (1 m) with M12 coupling</li> </ul> | <ul style="list-style-type: none"> <li>• M23 flange socket, axial or radial</li> <li>• Cable (1 m/5 m) with or without M23 coupling</li> </ul> |                                       |
| Supply voltage   | DC 3.6 V to 14 V   | DC 3.6 V to 14 V   | DC 4.75 V to 30 V                     | DC 3.6 V to 14 V   | DC 3.6 V to 14 V   | DC 4.75 V to 30 V                     |
| Power consumption (max.)   | 3.6 V: ≤ 0.6 W<br>14 V: ≤ 0.7 W  | 5 V: ≤ 0.8 W<br>10 V: ≤ 0.65 W<br>30 V: ≤ 1 W  |                                       | 3.6 V: ≤ 0.7 W<br>14 V: ≤ 0.8 W  | 5 V: ≤ 0.95 W<br>10 V: ≤ 0.75 W<br>30 V: ≤ 1.1 W   |                                       |
| Current consumption<br>(typical, without load)                                   | 5 V: 85 mA   | 5 V: 90 mA<br>24 V: 24 mA  |                                       | 5 V: 105 mA  | 5 V: 120 mA<br>24 V: 28 mA   |                                       |
| Shaft  | Solid shaft Ø 6 mm   |  |                                       |  |  |                                       |
| Mech. permiss. shaft speed $n$   | ≤ 15000 rpm  |  |                                       | ≤ 12000 rpm  |  |                                       |
| Starting torque (typical)  | 0.01 Nm (at 20 °C)   |  |                                       |  |  |                                       |
| Moment of inertia of rotor   | ≤ 2.7 · 10 <sup>-6</sup> kgm <sup>2</sup>  |  |                                       |  |  |                                       |
| Shaft load   | Axial: ≤ 40 N; radial: ≤ 60 N at shaft end (see also <i>Mechanical design types and mounting</i> )                           |  |                                       |  |  |                                       |
| Vibration 55 Hz to 2000 Hz<br>Shock 6 ms   | ≤ 300 m/s <sup>2</sup> (EN 60068-2-6)<br>ROC/ROQ: ≤ 2000 m/s <sup>2</sup> ; RIC/RIQ: ≤ 1000 m/s <sup>2</sup> (EN 60068-2-27) |  |                                       |  |  |                                       |
| Max. operating temp. <sup>3)</sup>   | 100 °C   |  |                                       |  |  |                                       |
| Min. operating temp.   | Flange socket or fixed cable: –40 °C; moving cable: –10 °C   |  |                                       |  |  |                                       |
| Protection EN 60529  | IP67 at housing; IP64 at shaft inlet (IP66 upon request)   |  |                                       |  |  |                                       |
| Mass   | ≈ 0.35 kg  |  |                                       |  |  |                                       |
| Valid for ID   | 683639-xx <sup>4)</sup> / 1322268-xx <sup>4) 5)</sup>  | 1109254-xx   | 1131750-xx / 1353113-xx <sup>5)</sup> | 683641-xx <sup>4)</sup> / 1322273-xx <sup>4) 5)</sup>  | 1109256-xx   | 1131752-xx / 1353117-xx <sup>5)</sup> |

**Bold:** This preferred version is available on short notice.

\* Please select when ordering

<sup>1)</sup> Speed-dependent deviations between absolute value and incremental signal

<sup>2)</sup> Limited tolerances: signal amplitude: 0.8 V<sub>PP</sub> to 1.2 V<sub>PP</sub>

<sup>3)</sup> For the relationship of operating temperature to shaft speed and supply voltage, see *General mechanical information*

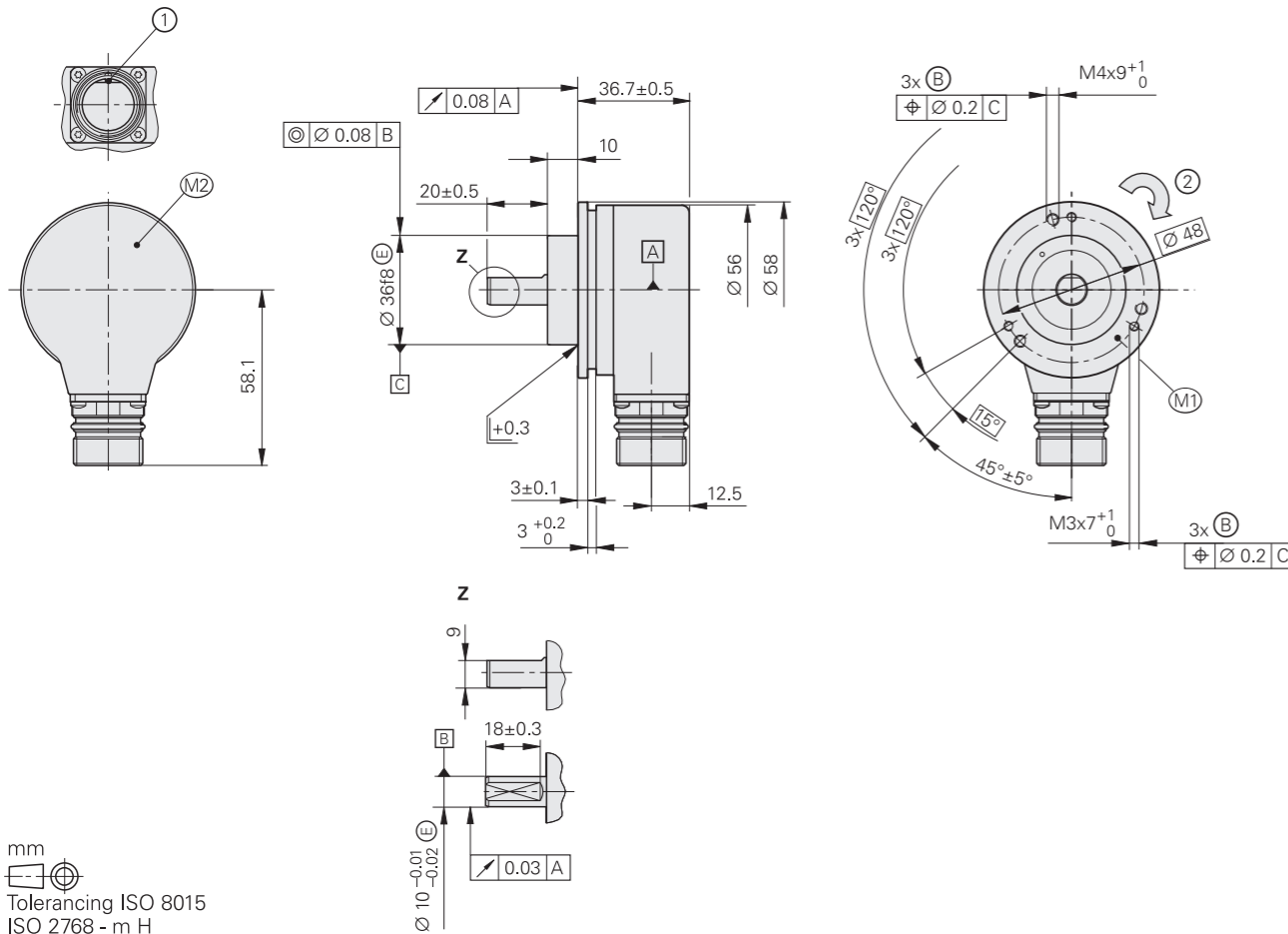
<sup>4)</sup> Also available with functional safety; for dimensions and specifications, see Product Information document

<sup>5)</sup> Successor variants

# ROQ 425

Rotary encoder for absolute position values with solid shaft for separate shaft coupling

- EnDat interface
- Additional incremental signals with TTL or HTL levels



mm  
 Tolerancing ISO 8015  
 ISO 2768 - m H  
 < 6 mm: ±0.2 mm

- ▣ = Bearing
- ⊕ = Fastening thread
- M1 = Measuring point for operating temperature
- M2 = Measuring point for vibration, see also D 774714
- 1 = Connector coding
- 2 = Direction of shaft rotation for output signals as per the interface description

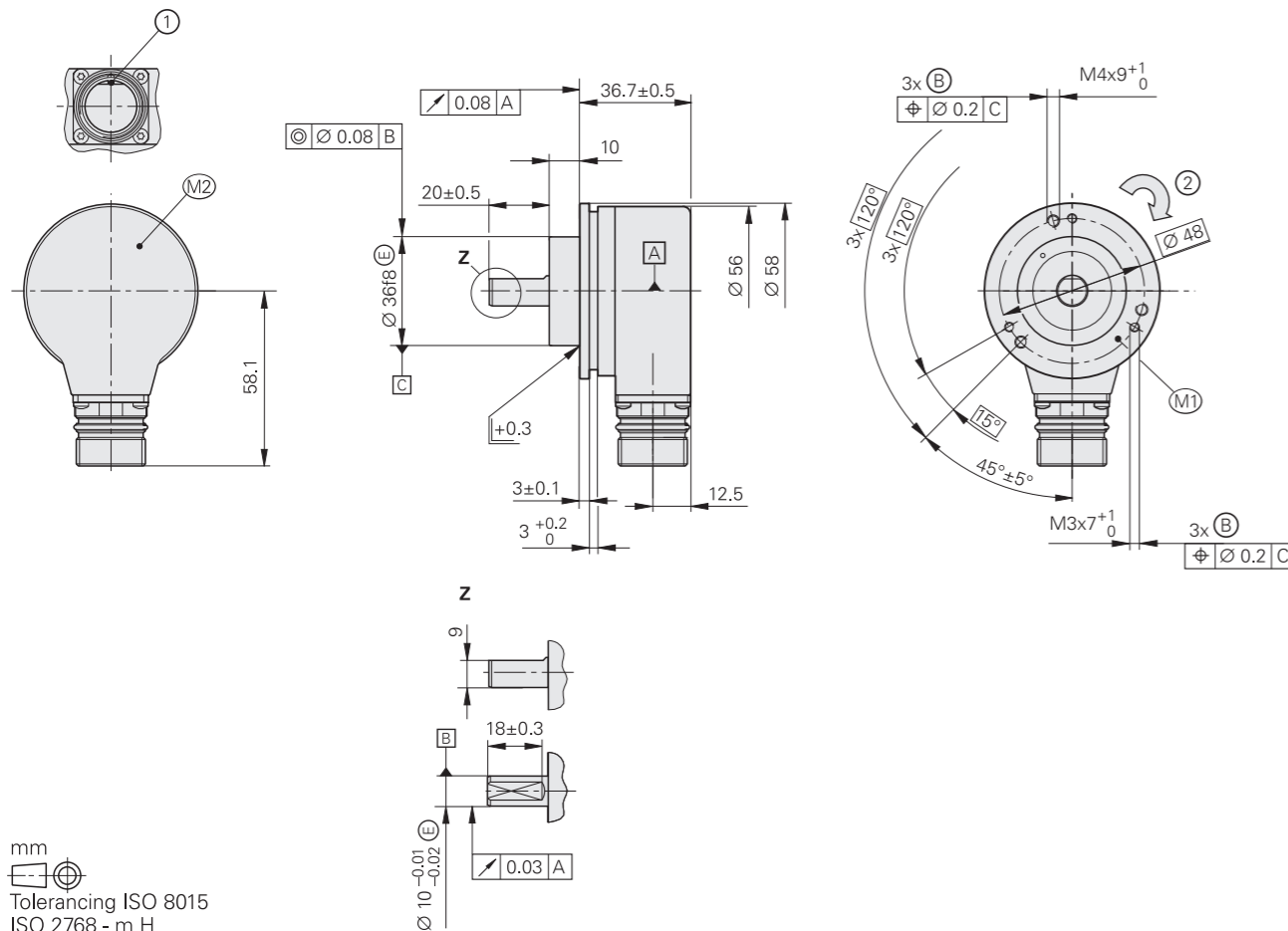
|   | Absolute  |           |           |   |           |           |
|---|---|-----------|-----------|---|-----------|-----------|
|   | Multiturn   |           |           |   |           |           |
|   | ROQ 425   |           |           |   |           |           |
| <b>Interface</b>                                | EnDat 2.2   |           |           |   |           |           |
| Ordering designation*                           | EnDatH  |           |           | EnDatT                                    |           |           |
| Positions per revolution                        | 8192 (13 bits)  |           |           |   |           |           |
| Revolutions                                     | 4096 (12 bits)  |           |           |   |           |           |
| Code  | Pure binary   |           |           |   |           |           |
| Calculation time $t_{cal}$                      | ≤ 9 μs  |           |           |   |           |           |
| Clock frequency                                 | ≤ 2 MHz   |           |           |   |           |           |
| Incremental signals                             | HTL   |           |           | TTL                                       |           |           |
| Signal periods *                                | 512   | 1024      | 2048      | 512                                       | 2048      | 4096      |
| Edge separation $a$                             | ≥ 2.4 μs  | ≥ 0.8 μs  | ≥ 0.6 μs  | ≥ 2.4 μs                                  | ≥ 0.6 μs  | ≥ 0.2 μs  |
| Output frequency                                | ≤ 52 kHz  | ≤ 103 kHz | ≤ 205 kHz | ≤ 52 kHz                                  | ≤ 205 kHz | ≤ 410 kHz |
| <b>System accuracy</b> <sup>1)</sup>            | ±60"  | ±60"      | ±20"      | ±60"                                      | ±20"      | ±20"      |
| <b>Electrical connection</b>                    | 17-pin M23 radial flange socket (male)  |           |           |   |           |           |
| Cable length <sup>2)</sup>                      | ≤ 100 m (with HEIDENHAIN cable)   |           |           |   |           |           |
| Supply voltage                                  | DC 10 V to 30 V   |           |           | DC 4.75 V to 30 V                         |           |           |
| Power consumption (max.) <sup>3)</sup>          | See <i>Power consumption diagram</i>  |           |           | At 4.75 V: ≤ 900 mW<br>At 30 V: ≤ 1100 mW |           |           |
| Current consumption (typical, without load)     | At 10 V: ≤ 56 mA<br>At 24 V: ≤ 34 mA  |           |           | At 5 V: ≤ 100 mA<br>At 24 V: ≤ 25 mA      |           |           |
| <b>Shaft</b>                                    | Solid shaft Ø 10 mm with flat   |           |           |   |           |           |
| Mech. permitt. shaft speed $n^4)$               | ≤ 12 000 rpm  |           |           |   |           |           |
| Starting torque (typical)                       | 0.025 Nm (at 20 °C)   |           |           |   |           |           |
| Moment of inertia of rotor                      | $2.7 \cdot 10^{-6} \text{ kgm}^2$   |           |           |   |           |           |
| Shaft load                                      | Axial: ≤ 40 Nm<br>Radial: ≤ 60 Nm at shaft end<br>(see also <i>Mechanical design types and mounting</i> ) |           |           |   |           |           |
| <b>Vibration</b> 10 Hz to 2000 Hz <sup>5)</sup> | ≤ 150 m/s <sup>2</sup> (EN 60068-2-6)   |           |           |   |           |           |
| <b>Shock</b> 6 ms                               | ≤ 1000 m/s <sup>2</sup> (EN 60068-2-27)   |           |           |   |           |           |
| <b>Max. operating temp.</b> <sup>4)</sup>       | 100 °C  |           |           |   |           |           |
| <b>Min. operating temp.</b>                     | -40 °C  |           |           |   |           |           |
| <b>Protection</b> EN 60529                      | Housing: IP67<br>Shaft exit: IP66   |           |           |   |           |           |
| <b>Mass</b>                                     | ≈ 0.30 kg   |           |           |   |           |           |
| <b>Valid for ID</b>                             | 1042530-xx  |           |           | 1042529-xx                                |           |           |

\* Please select when ordering  
 1) For absolute position value; accuracy of the incremental signal upon request  
 2) For HTL signals, the maximum cable length depends on the output frequency (see the *Cable length for HTL diagrams*)  
 3) See *General electrical information* in the *Interfaces of HEIDENHAIN Encoders* brochure  
 4) For the relationship of operating temperature to shaft speed and supply voltage, see *General mechanical information*  
 5) 10 Hz to 55 Hz constant over 4.9 mm peak to peak

# ROQ 425

Rotary encoder for absolute position values with solid shaft for separate shaft coupling

- SSI interface
- Additional incremental signals with TTL or HTL levels



mm  
 Tolerancing ISO 8015  
 ISO 2768 - m H  
 < 6 mm: ±0.2 mm

- = Bearing
- ⊙ = Fastening thread
- M1 = Measuring point for operating temperature
- M2 = Measuring point for vibration, see also D 774714
- 1 = Connector coding
- 2 = Direction of shaft rotation for output signals as per the interface description

|   | Absolute  |           |           |   |           |           |
|---|---|-----------|-----------|---|-----------|-----------|
|   | Multiturn   |           |           |   |           |           |
|   | ROQ 425   |           |           |   |           |           |
| Interface                                   | SSI   |           |           |   |           |           |
| Ordering designation*                       | SSI41H  |           | SSI41T    |   |           |           |
| Positions per revolution                    | 8192 (13 bits)  |           |           |   |           |           |
| Revolutions                                 | 4096 (12 bits)  |           |           |   |           |           |
| Code  | Pure binary   |           |           |   |           |           |
| Calculation time $t_{cal}$                  | ≤ 9 μs  |           |           |   |           |           |
| Clock frequency                             | ≤ 2 MHz   |           |           |   |           |           |
| Incremental signals                         | HTL <sup>6)</sup>   |           |           |   | TTL       |           |
| Signal periods *                            | 512   | 1024      | 2048      | 512                                       | 2048      | 4096      |
| Edge separation $a$                         | ≥ 2.4 μs  | ≥ 0.8 μs  | ≥ 0.6 μs  | ≥ 2.4 μs                                  | ≥ 0.6 μs  | ≥ 0.2 μs  |
| Output frequency                            | ≤ 52 kHz  | ≤ 103 kHz | ≤ 205 kHz | ≤ 52 kHz                                  | ≤ 205 kHz | ≤ 410 kHz |
| System accuracy <sup>1)</sup>               | ±60"  | ±60"      | ±20"      | ±60"                                      | ±20"      | ±20"      |
| Electrical connection                       | 12-pin M23 radial flange socket (male)  |           |           | 17-pin M23 radial flange socket (male)    |           |           |
| Cable length <sup>2)</sup>                  | ≤ 100 m (with HEIDENHAIN cable)   |           |           |   |           |           |
| Supply voltage                              | DC 10 V to 30 V   |           |           | DC 4.75 V to 30 V                         |           |           |
| Power consumption (max.) <sup>3)</sup>      | See Power consumption diagram   |           |           | At 4.75 V: ≤ 900 mW<br>At 30 V: ≤ 1100 mW |           |           |
| Current consumption (typical, without load) | At 10 V: ≤ 56 mA<br>At 24 V: ≤ 34 mA  |           |           | At 5 V: ≤ 100 mA<br>At 24 V: ≤ 25 mA      |           |           |
| Shaft                                       | Solid shaft Ø 10 mm with flat   |           |           |   |           |           |
| Mech. perm. shaft speed $n^4)$              | ≤ 12000 rpm   |           |           |   |           |           |
| Starting torque (typical)                   | 0.025 Nm (at 20 °C)   |           |           |   |           |           |
| Moment of inertia of rotor                  | $2.7 \cdot 10^{-6} \text{ kgm}^2$   |           |           |   |           |           |
| Shaft load                                  | Axial: ≤ 40 Nm<br>Radial: ≤ 60 Nm at shaft end<br>(see also Mechanical design types and mounting) |           |           |   |           |           |
| Vibration 10 Hz to 2000 Hz <sup>5)</sup>    | ≤ 150 m/s <sup>2</sup> (EN 60068-2-6)   |           |           |   |           |           |
| Shock 6 ms                                  | ≤ 1000 m/s <sup>2</sup> (EN 60068-2-27)   |           |           |   |           |           |
| Max. operating temp. <sup>4)</sup>          | 100 °C  |           |           |   |           |           |
| Min. operating temp.                        | -40 °C  |           |           |   |           |           |
| Protection EN 60529                         | Housing: IP67<br>Shaft exit: IP66   |           |           |   |           |           |
| Mass  | ≈ 0.30 kg   |           |           |   |           |           |
| Valid for ID                                | 1065028-xx  |           |           | 1042524-xx                                |           |           |

\* Please select when ordering  
 1) For absolute position value; accuracy of the incremental signal upon request  
 2) For HTL signals, the maximum cable length depends on the output frequency (see the Cable length for HTL diagrams)  
 3) See General electrical information in the Interfaces of HEIDENHAIN Encoders brochure  
 4) For the relationship of operating temperature to shaft speed and supply voltage, see General mechanical information  
 5) 10 Hz to 55 Hz constant over 4.9 mm peak to peak  
 6) HTLs upon request



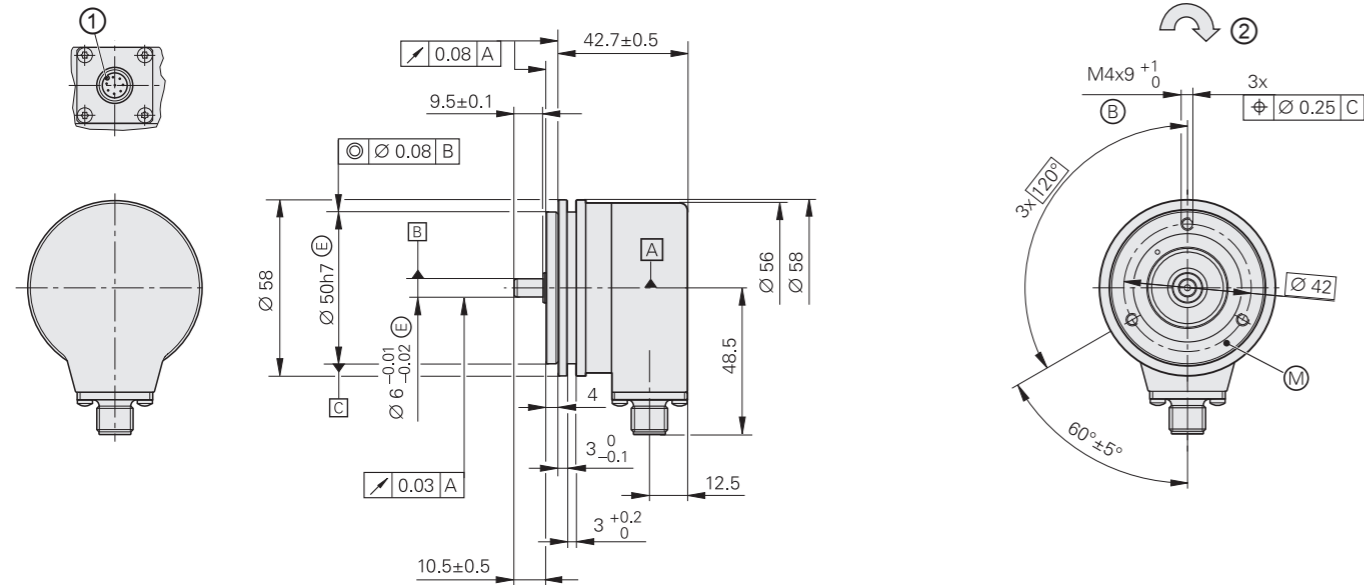
# ROC/ROQ 400F/S series

## Absolute rotary encoders

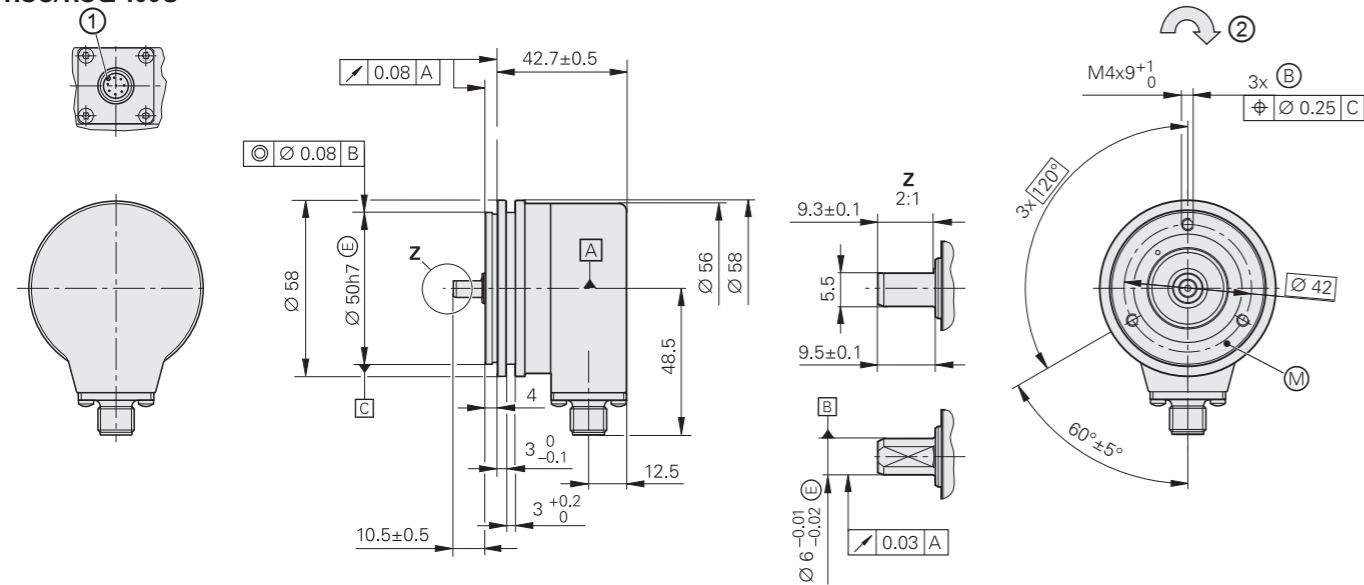
- Synchro flange
- Solid shaft for separate shaft coupling
- Fanuc Serial Interface or Siemens DRIVE-CLiQ interface



### ROC/ROQ 400F/M



### ROC/ROQ 400S



mm  
  
 Tolerancing ISO 8015  
 ISO 2768 - m H  
 < 6 mm: ±0.2 mm

- ▭ = Bearing
- ⊙ = Fastening thread
- Ⓜ = Measuring point for operating temperature
- 1 = Connector coding
- 2 = Direction of shaft rotation for output signals as per the interface description

DRIVE-CLiQ is a registered trademark of Siemens AG.

|  | Absolute   |                                | Multiturn                                    |                                |
|--|--|--------------------------------|--|--------------------------------|
|  | Singleturn   |                                |  |                                |
|  | ROC 425F   | ROC 424S                       | ROQ 437F                                     | ROQ 436S                       |
| <b>Interface</b>                                       | Fanuc Serial Interface; $\alpha$ i Interface   | DRIVE-CLiQ                     | Fanuc Serial Interface; $\alpha$ i Interface | DRIVE-CLiQ                     |
| Ordering designation                                   | Fanuc05 <sup>1)</sup>  | DQ01                           | Fanuc06 <sup>1)</sup>                        | DQ01                           |
| Positions per revolution                               | $\alpha$ i: 33554432 (25 bits)<br>$\alpha$ : 8388608 (23 bits)                                 | 16777216 (24 bits)             | 33554432 (25 bits)                           | 16777216 (24 bits)             |
| Revolutions  | 8192 via revolution counter  |                                | $\alpha$ i: 4096                             | 4096                           |
| Code   | Pure binary  |                                |  |                                |
| Elec. perm. shaft speed                                | ≤ 15000 rpm for continuous position value  |                                |  |                                |
| Calculation time $t_{cal}$                             | ≤ 5 $\mu$ s  | ≤ 8 $\mu$ s <sup>2)</sup>      | ≤ 5 $\mu$ s                                  | ≤ 8 $\mu$ s <sup>2)</sup>      |
| <b>System accuracy</b>                                 | ±20"   |                                |  |                                |
| <b>Electrical connection</b>                           | M12 flange socket, radial  |                                |  |                                |
| Cable length   | ≤ 30 m   | ≤ 95 m <sup>3)</sup>           | ≤ 30 m                                       | ≤ 95 m <sup>3)</sup>           |
| DC supply voltage                                      | 3.6 V to 14 V  | 10 V to 36 V                   | 3.6 V to 14 V                                | 10 V to 36 V                   |
| Power consumption (max.)                               | 5 V: ≤ 0.7 W<br>14 V: ≤ 0.8 W  | 10 V: ≤ 1.4 W<br>36 V: ≤ 1.5 W | 5 V: ≤ 0.75 W<br>14 V: ≤ 0.85 W              | 10 V: ≤ 1.4 W<br>36 V: ≤ 1.5 W |
| Current consumption (typical, without load)            | 5 V: 90 mA   | 24 V: 37 mA                    | 5 V: 100 mA                                  | 24 V: 43 mA                    |
| <b>Shaft</b>   | Solid shaft $\varnothing$ 6 mm (for ROC 424S and ROQ 436S with flat)                           |                                |  |                                |
| Mech. perm. shaft speed $n^4)$                         | ≤ 15000 rpm  |                                | ≤ 12000 rpm                                  |                                |
| Starting torque (typical)                              | 0.01 Nm (at 20 °C)   |                                |  |                                |
| Moment of inertia of rotor                             | ≤ 2.9 · 10 <sup>-6</sup> kgm <sup>2</sup>  |                                |  |                                |
| Shaft load   | Axial: 40 N; radial: 60 N at shaft end (see also <i>Mechanical design types and mounting</i> ) |                                |  |                                |
| <b>Vibration</b> 55 Hz to 2000 Hz<br><b>Shock</b> 6 ms | ≤ 300 m/s <sup>2</sup> (EN 60068-2-6)<br>≤ 2000 m/s <sup>2</sup> (EN 60068-2-27)               |                                |  |                                |
| <b>Max. operating temp.</b> <sup>4)</sup>              | 100 °C   |                                |  |                                |
| <b>Min. operating temp.</b>                            | -30 °C   |                                |  |                                |
| <b>Protection</b> EN 60529                             | IP67 at housing; IP64 at shaft inlet   |                                |  |                                |
| <b>Mass</b>  | ≈ 0.35 kg  |                                |  |                                |
| <b>Valid for ID</b>                                    | 1081305-xx   | 1036789-xx <sup>5)</sup>       | 1081303-xx                                   | 1036786-xx <sup>5)</sup>       |

1) Optimized for Fanuc machine tool controls.

2) Calculation time TIME\_MAX\_ACTVAL

3) See the *Interfaces of HEIDENHAIN Encoders* brochure; with  $n_{EN} = 1$  (including adapter cable)

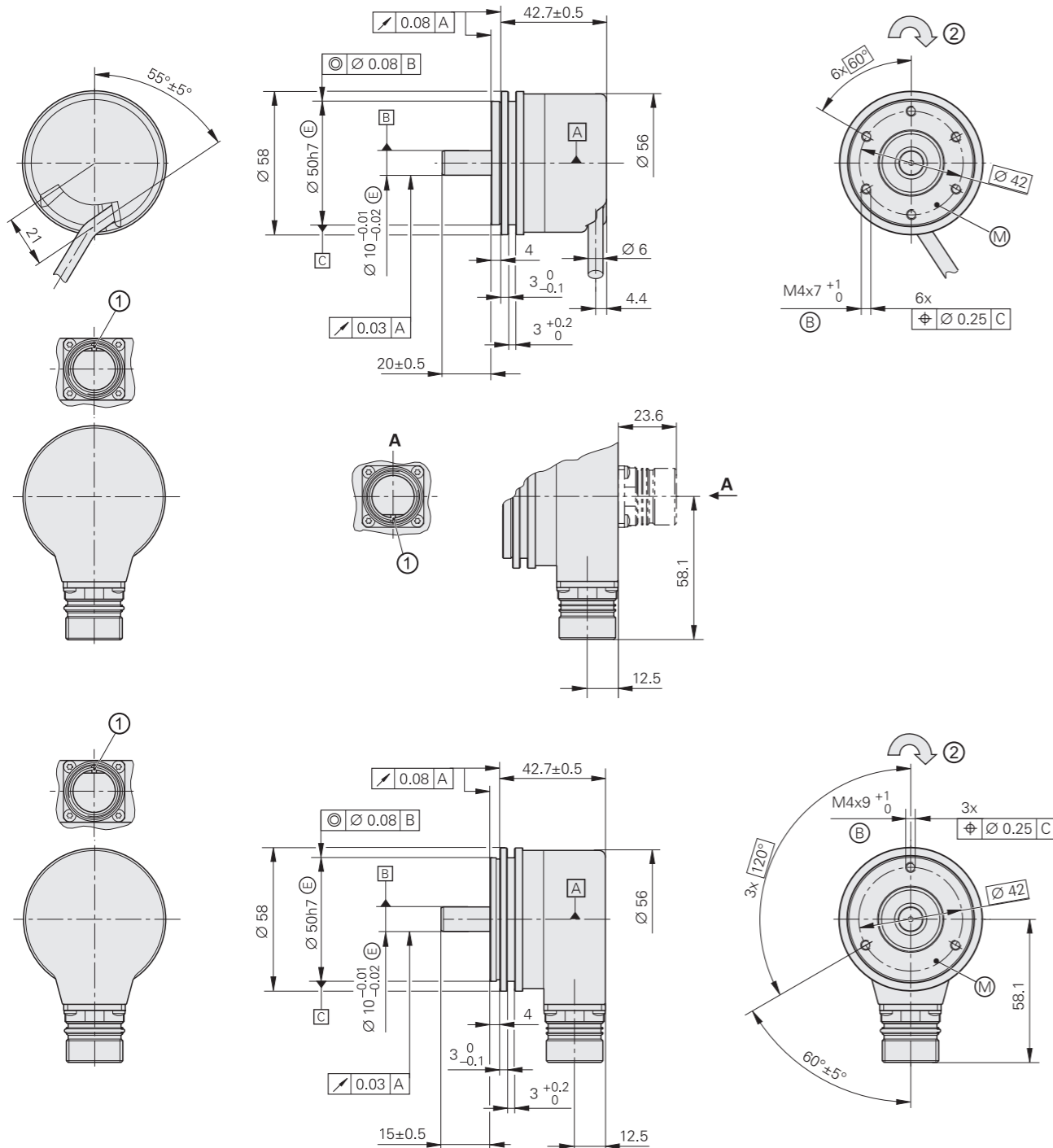
4) For the relationship of operating temperature to shaft speed and supply voltage, see *General mechanical information*

5) Also available with functional safety; for dimensions and specifications, see Product Information document

# ROC 425 series

## Absolute rotary encoders

- Steel synchro flange
- High accuracy
- Solid shaft for separate shaft coupling
- Version with stainless steel housing



mm  
  
 Tolerancing ISO 8015  
 ISO 2768 - m H  
 < 6 mm: ±0.2 mm

Radial cable (can also be used axially)  
 □ = Bearing  
 ⊙ = Fastening thread  
 ⊕ = Measuring point for operating temperature  
 1 = Connector coding  
 2 = Direction of shaft rotation for output signals as per the interface description

| Stainless steel version        | Material     |
|--------------------------------|--------------|
| Shaft                          | 1.4104       |
| Flange, housing, flange socket | 1.4301 (V2A) |

|  | Absolute  |                                   |
|--|---|-----------------------------------|
|  | Singleturn  | ROC 425, stainless steel          |
| <b>Interface</b>                                       | EnDat 2.2   |                                   |
| Ordering designation                                   | EnDat01   |                                   |
| Positions per revolution                               | 33554432 (25 bits)  |                                   |
| Revolutions  | -   |                                   |
| Code   | Pure binary   |                                   |
| Elec. perm. shaft speed<br>Deviations <sup>1)</sup>    | ≤ 1500/15000 rpm<br>±1200 LSB/±9200 LSB   |                                   |
| Calculation time $t_{cal}$<br>Clock frequency          | ≤ 9 μs<br>≤ 2 MHz   |                                   |
| Incremental signals                                    | ~ 1 V <sub>PP</sub>   |                                   |
| Line count   | 2048  |                                   |
| Cutoff frequency -3 dB                                 | ≥ 400 kHz   |                                   |
| <b>System accuracy</b>                                 | ±10"  |                                   |
| <b>Electrical connection*</b>                          | <ul style="list-style-type: none"> <li>• <b>M23 flange socket</b>, axial or radial</li> <li>• Cable (1 m/5 m) with or without M23 coupling</li> </ul> | M23 flange socket, radial         |
| Supply voltage   | DC 3.6 V to 14 V  |                                   |
| Power consumption (max.)                               | 3.6 V: ≤ 0.6 W<br>14 V: ≤ 0.7 W   |                                   |
| Current consumption (typical, without load)            | 5 V: 85 mA  |                                   |
| <b>Shaft</b>   | Solid shaft Ø 10 mm, length 20 mm   | Solid shaft Ø 10 mm, length 15 mm |
| Mech. perm. shaft speed $n$                            | ≤ 12000 rpm   |                                   |
| Starting torque (typical)                              | 0.025 Nm (at 20 °C)   | 0.025 Nm (at 20 °C)               |
| Moment of inertia of rotor                             | ≤ 2.1 · 10 <sup>-6</sup> kgm <sup>2</sup>   |                                   |
| Shaft load   | Axial: ≤ 40 N; radial: ≤ 60 N at shaft end (see also <i>Mechanical design types and mounting</i> )  |                                   |
| <b>Vibration</b> 55 Hz to 2000 Hz<br><b>Shock</b> 6 ms | ≤ 300 m/s <sup>2</sup> (EN 60068-2-6)<br>≤ 2000 m/s <sup>2</sup> (EN 60068-2-27)  |                                   |
| <b>Max. operating temp.</b> <sup>3)</sup>              | 80 °C   |                                   |
| <b>Min. operating temp.</b>                            | Flange socket or fixed cable: -40 °C; moving cable: -10 °C  |                                   |
| <b>Protection</b> EN 60529                             | IP67 at housing; IP66 at shaft inlet  |                                   |
| <b>Mass</b>  | ≈ 0.50 kg   | ≈ 0.55 kg                         |
| <b>Valid for ID</b>                                    | 638726-xx / 1350876-xx <sup>4)</sup>  | 1080335-xx                        |

**Bold:** This preferred version is available on short notice.

\* Please select when ordering

1) Speed-dependent deviations between absolute value and incremental signal

2) Limited tolerances: signal amplitude: 0.8 V<sub>PP</sub> to 1.2 V<sub>PP</sub>

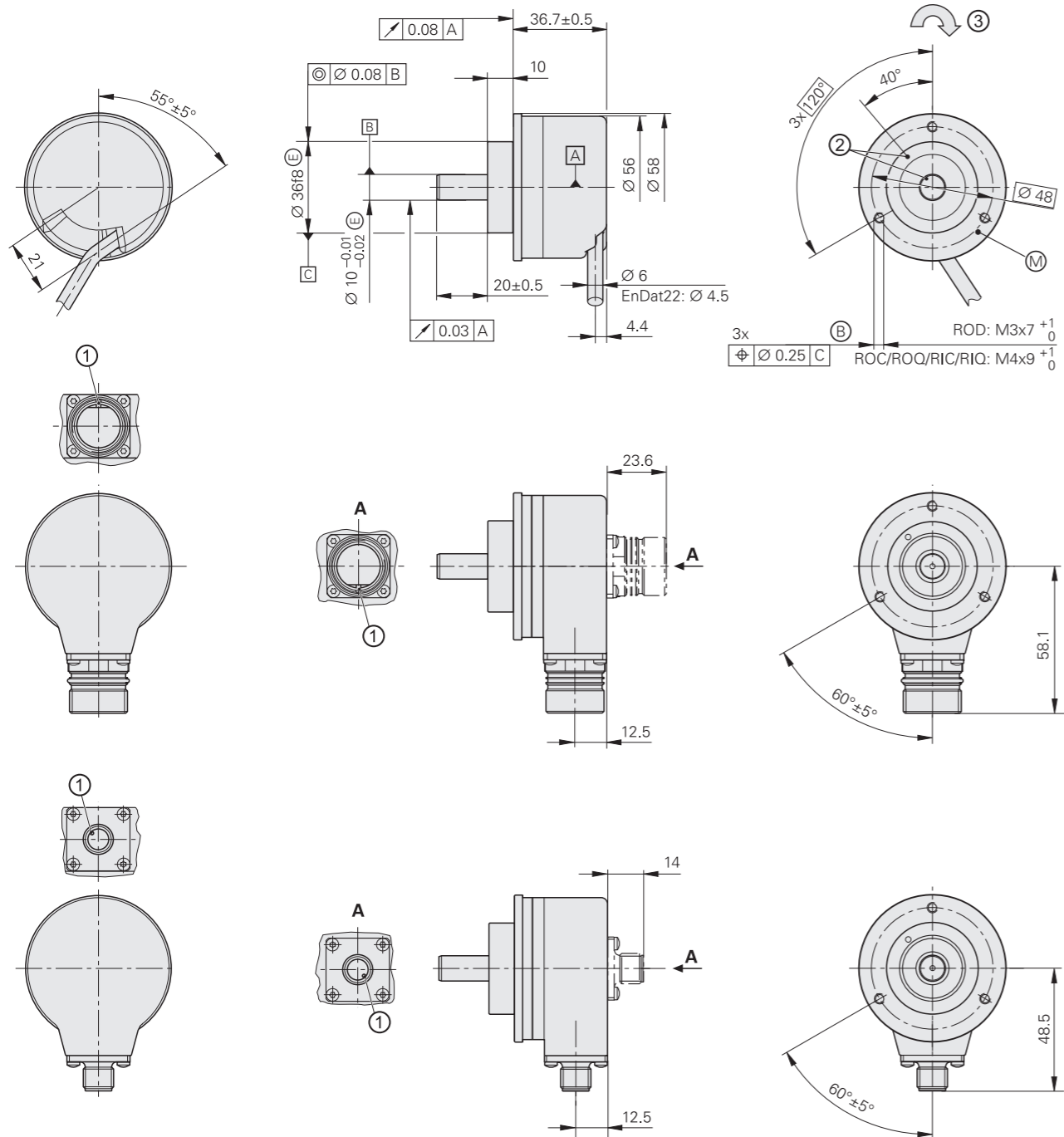
3) For the relationship of operating temperature to shaft speed and supply voltage, see *General mechanical information*

4) Successor variant

# ROC/ROQ/ROD 400 series

Absolute and incremental rotary encoders

- Clamping flange
- Solid shaft for separate shaft coupling



mm  
  
 Tolerancing ISO 8015  
 ISO 2768 - m H  
 < 6 mm: ±0.2 mm

Radial cable (can also be used axially)  
 ▣ = Bearing  
 ⊙ = Fastening thread  
 ⊗ = Measuring point for operating temperature  
 1 = Connector coding  
 2 = ROD reference mark position on shaft and flange ±15°  
 3 = Direction of shaft rotation for output signals as per the interface description

|   | Incremental  |             |             |      |      |                 |             |             |                                   |             |             |
|---|--|-------------|-------------|------|------|-----------------|-------------|-------------|-----------------------------------|-------------|-------------|
|   | ROD 420  |             |             |      |      | ROD 430         |             |             | ROD 480                           |             |             |
| <b>Interface</b>                          | □ TTL  |             |             |      |      | □ HTL           |             |             | ~ 1 V <sub>PP</sub> <sup>1)</sup> |             |             |
| Line counts*                              | 50   | 100         | 150         | 200  | 250  | 360             | <b>500</b>  | 512         | 720                               | -           |             |
|   | <b>1000</b>  | <b>1024</b> | <b>1250</b> | 1500 | 1800 | <b>2000</b>     | <b>2048</b> | <b>2500</b> | <b>3600</b>                       | <b>4096</b> | <b>5000</b> |
| Reference mark                            | One  |             |             |      |      |                 |             |             |                                   |             |             |
| Cutoff frequency -3 dB                    | -  |             |             |      |      |                 |             |             |                                   | ≥ 180 kHz   |             |
| Output frequency                          | ≤ 300 kHz  |             |             |      |      |                 |             |             |                                   | -           |             |
| Edge separation a                         | ≥ 0.39 μs  |             |             |      |      |                 |             |             |                                   | -           |             |
| <b>System accuracy</b>                    | 1/20 of grating period   |             |             |      |      |                 |             |             |                                   |             |             |
| <b>Electrical connection*</b>             | <ul style="list-style-type: none"> <li>• <b>M23 flange socket</b>, radial and axial</li> <li>• <b>Cable (1 m/5 m)</b> with or <b>without M23 coupling</b></li> </ul> |             |             |      |      |                 |             |             |                                   |             |             |
| Supply voltage                            | DC 5 V ±0.5 V  |             |             |      |      | DC 10 V to 30 V |             |             | DC 5 V ±0.5 V                     |             |             |
| Current consumption without load          | ≤ 120 mA   |             |             |      |      | ≤ 150 mA        |             |             | ≤ 120 mA                          |             |             |
| <b>Shaft</b>                              | Solid shaft Ø 10 mm  |             |             |      |      |                 |             |             |                                   |             |             |
| Mech. permitt. shaft speed n              | ≤ 16000 rpm  |             |             |      |      |                 |             |             |                                   |             |             |
| Starting torque (typical)                 | 0.01 Nm (at 20 °C)   |             |             |      |      |                 |             |             |                                   |             |             |
| Moment of inertia of rotor                | ≤ 2.1 · 10 <sup>-6</sup> kgm <sup>2</sup>  |             |             |      |      |                 |             |             |                                   |             |             |
| Shaft load <sup>2)</sup>                  | Axial: ≤ 40 N; radial: ≤ 60 N at shaft end   |             |             |      |      |                 |             |             |                                   |             |             |
| <b>Vibration</b> 55 Hz to 2000 Hz         | ≤ 300 m/s <sup>2</sup> (EN 60068-2-6)  |             |             |      |      |                 |             |             |                                   |             |             |
| <b>Shock</b> 6 ms                         | ≤ 2000 m/s <sup>2</sup> (EN 60068-2-27)  |             |             |      |      |                 |             |             |                                   |             |             |
| <b>Max. operating temp.</b> <sup>3)</sup> | 100 °C (80 °C for ROD 480 with 4096 or 5000 lines)   |             |             |      |      |                 |             |             |                                   |             |             |
| <b>Min. operating temp.</b>               | Flange socket or fixed cable: -40 °C<br>Moving cable: -10 °C   |             |             |      |      |                 |             |             |                                   |             |             |
| <b>Protection</b> EN 60529                | IP67 at housing; IP64 at shaft inlet (IP66 upon request)   |             |             |      |      |                 |             |             |                                   |             |             |
| <b>Mass</b>                               | ≈ 0.3 kg   |             |             |      |      |                 |             |             |                                   |             |             |
| <b>Valid for ID</b>                       | 376840-xx  |             |             |      |      | 376834-xx       |             |             | 376880-xx <sup>4)</sup>           |             |             |

**Bold:** This preferred version is available on short notice.




\* Please select when ordering

<sup>1)</sup> Limited tolerances: signal amplitude: 0.8 V<sub>PP</sub> to 1.2 V<sub>PP</sub>

<sup>2)</sup> See also *Mechanical design types and mounting*

<sup>3)</sup> For the relationship of operating temperature to shaft speed and supply voltage, see *General mechanical information*

<sup>4)</sup> Available with mechanical fault exclusion; for deviating specifications and special mounting information, see the *Fault Exclusion Customer Information document*

|  | Absolute   |   |                                       | Multitum  |   |                                       |
|---|--|---|---------------------------------------|---|---|---------------------------------------|
|   | Singletum<br>ROC 425    |   | ROC 413                               | ROQ 437                                    |   | ROQ 425                               |
| <b>Interface*</b>   | EnDat 2.2  | EnDat 2.2   | SSI                                   | EnDat 2.2   | EnDat 2.2   | SSI                                   |
| Ordering designation  | EnDat22  | EnDat01   | SSI39r1                               | EnDat22   | EnDat01   | SSI41r1                               |
| Positions per revolution  | 33554432 (25 bits)   |   | 8192 (13 bits)                        | 33554432 (25 bits)  |   | 8192 (13 bits)                        |
| Revolutions   | –  |   |                                       | 4096  |   |                                       |
| Code  | Pure binary  |   | Gray                                  | Pure binary   |   | Gray                                  |
| Elec. permiss. shaft speed<br>Deviations <sup>1)</sup>                            | ≤ 15000 rpm<br>for continuous position value   | <i>512 lines:</i><br>≤ 5000/12000 rpm<br>±1 LSB/±100 LSB<br><i>2048 lines:</i><br>≤ 1500/12000 rpm<br>±1 LSB/±50 LSB                                  | 12000 rpm<br>±12 LSB                  | ≤ 15000 rpm<br>for continuous position value  | <i>512 lines:</i><br>≤ 5000/10000 rpm<br>±1 LSB/±100 LSB<br><i>2048 lines:</i><br>≤ 1500/10000 rpm<br>±1 LSB/±50 LSB                                  | 12000 rpm<br>±12 LSB                  |
| Calculation time $t_{cal}$<br>Clock frequency                                     | ≤ 7 μs<br>≤ 8 MHz  | ≤ 9 μs<br>≤ 2 MHz   | ≤ 5 μs<br>–                           | ≤ 7 μs<br>≤ 8 MHz   | ≤ 9 μs<br>≤ 2 MHz   | ≤ 5 μs<br>–                           |
| Incremental signals   | Without  | $\sim 1 V_{PP}^{2)}$  |                                       | Without   | $\sim 1 V_{PP}^{2)}$  |                                       |
| Line counts*  | –  | <b>512</b> 2048   | 512                                   | –   | <b>512</b> 2048   | 512                                   |
| Cutoff frequency –3 dB  | –  | <i>512 lines:</i> ≥ 130 kHz; <i>2048 lines:</i> ≥ 400 kHz   |                                       | –   | <i>512 lines:</i> ≥ 130 kHz; <i>2048 lines:</i> ≥ 400 kHz   |                                       |
| <b>System accuracy<sup>1)</sup></b>   | ±20"   | <i>512 lines:</i> ±60"; <i>2048 lines:</i> ±20"   |                                       | ±20"  | <i>512 lines:</i> ±60"; <i>2048 lines:</i> ±20"   |                                       |
| <b>Electrical connection*</b>   | <ul style="list-style-type: none"> <li>• <b>M12 flange socket</b>, radial</li> <li>• Cable (1 m) with M12 coupling</li> </ul>  | <ul style="list-style-type: none"> <li>• <b>M23 flange socket</b>, axial or radial</li> <li>• Cable (1 m/5 m) with or without M23 coupling</li> </ul> |                                       | <ul style="list-style-type: none"> <li>• <b>M12 flange socket</b>, radial</li> <li>• Cable (1 m) with M12 coupling</li> </ul> | <ul style="list-style-type: none"> <li>• <b>M23 flange socket</b>, axial or radial</li> <li>• Cable (1 m/5 m) with or without M23 coupling</li> </ul> |                                       |
| Supply voltage  | DC 3.6 V to 14 V   | DC 3.6 V to 14 V  | DC 4.75 V to 30 V                     | DC 3.6 V to 14 V  | DC 3.6 V to 14 V  | DC 4.75 V to 30 V                     |
| Power consumption (max.)  | <i>3.6 V:</i> ≤ 0.6 W<br><i>14 V:</i> ≤ 0.7 W  | <i>5 V:</i> ≤ 0.8 W<br><i>10 V:</i> ≤ 0.65 W<br><i>30 V:</i> ≤ 1 W  |                                       | <i>3.6 V:</i> ≤ 0.7 W<br><i>14 V:</i> ≤ 0.8 W   | <i>5 V:</i> ≤ 0.95 W<br><i>10 V:</i> ≤ 0.75 W<br><i>30 V:</i> ≤ 1.1 W   |                                       |
| Current consumption<br>(typical, without load)                                    | <i>5 V:</i> 85 mA  | <i>5 V:</i> 90 mA<br><i>24 V:</i> 24 mA   |                                       | <i>5 V:</i> 105 mA  | <i>5 V:</i> 120 mA<br><i>24 V:</i> 28 mA  |                                       |
| <b>Shaft</b>  | Solid shaft Ø 10 mm  |   |                                       |   |   |                                       |
| Mech. permiss. shaft speed $n$  | ≤ 15000 rpm  |   |                                       | ≤ 12000 rpm   |   |                                       |
| Starting torque (typical)   | 0.01 Nm (at 20 °C)   |   |                                       |   |   |                                       |
| Moment of inertia of rotor  | ≤ $2.3 \cdot 10^{-6}$ kgm <sup>2</sup>   |   |                                       |   |   |                                       |
| Shaft load  | <i>Axial:</i> ≤ 40 N; <i>radial:</i> ≤ 60 N at shaft end (see also <i>Mechanical design types and mounting</i> )   |   |                                       |   |   |                                       |
| <b>Vibration</b> 55 Hz to 2000 Hz<br><b>Shock</b> 6 ms                            | ≤ 300 m/s <sup>2</sup> ; (EN 60068-2-6); higher values upon request<br><i>ROC/ROQ:</i> ≤ 2000 m/s <sup>2</sup> ; <i>RIC/RIQ:</i> ≤ 1000 m/s <sup>2</sup> (EN 60068-2-27) |   |                                       |   |   |                                       |
| <b>Max. operating temp.</b> <sup>3)</sup>   | 100 °C   |   |                                       |   |   |                                       |
| <b>Min. operating temp.</b>   | <i>Flange socket or fixed cable:</i> –40 °C; <i>moving cable:</i> –10 °C   |   |                                       |   |   |                                       |
| <b>Protection</b> EN 60529  | IP67 at housing; IP64 at shaft inlet (IP66 upon request)   |   |                                       |   |   |                                       |
| <b>Mass</b>   | ≈ 0.35 kg  |   |                                       |   |   |                                       |
| <b>Valid for ID</b>   | 683640-xx <sup>4)</sup> / 1322269-xx <sup>4) 5)</sup>  | 1109255-xx  | 1131751-xx / 1353114-xx <sup>5)</sup> | 683642-xx <sup>4)</sup> / 1322274-xx <sup>4) 5)</sup>   | 1109257-xx  | 1131753-xx / 1353118-xx <sup>5)</sup> |

**Bold:** This preferred version is available on short notice.

\* Please select when ordering

<sup>1)</sup> Speed-dependent deviations between absolute value and incremental signal

<sup>2)</sup> Limited tolerances: signal amplitude: 0.8 V<sub>PP</sub> to 1.2 V<sub>PP</sub>

<sup>3)</sup> For the relationship of operating temperature to shaft speed and supply voltage, see *General mechanical information*

<sup>4)</sup> Also available with functional safety; for dimensions and specifications, see Product Information document

<sup>5)</sup> Successor variant

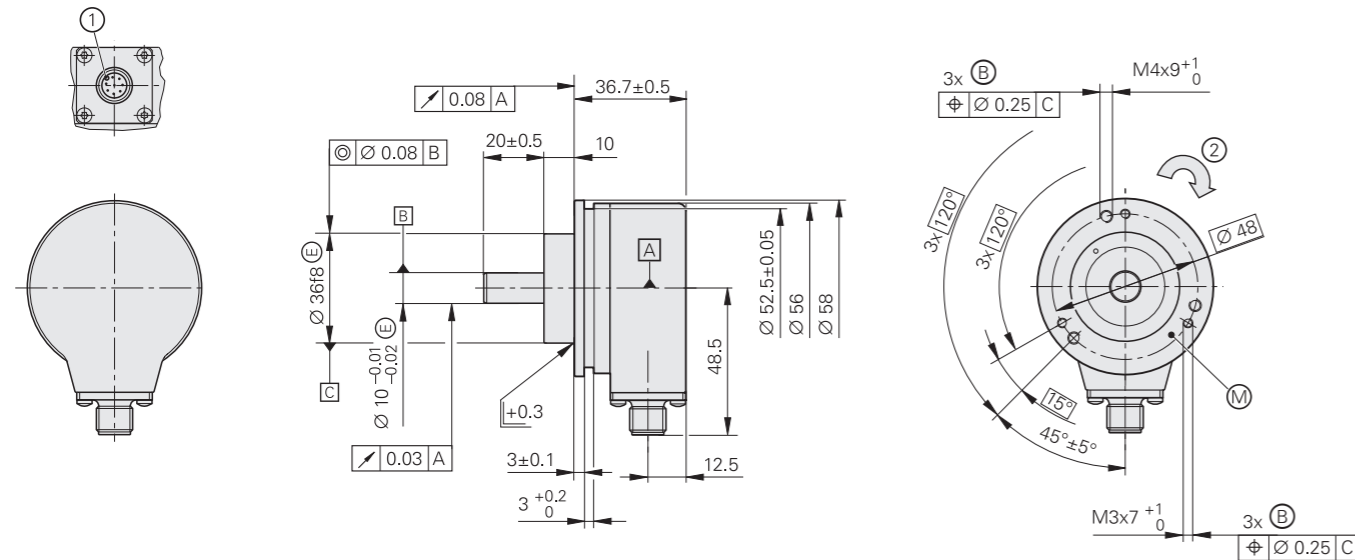
# ROC/ROQ 400F/S series

## Absolute rotary encoders

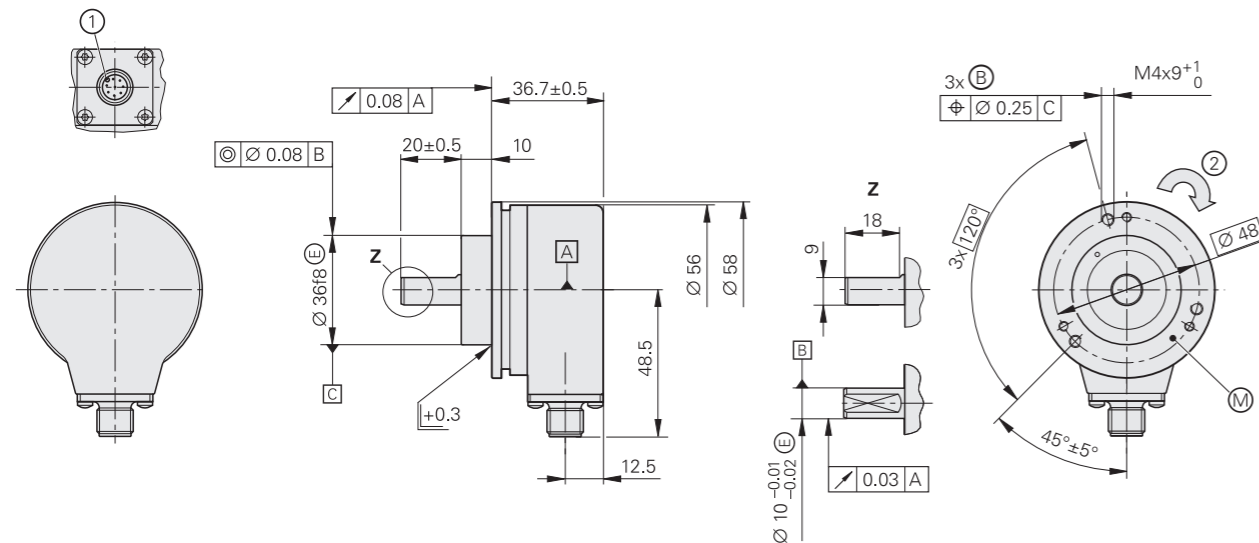
- Clamping flange with additional slot for fastening with fixing clamps
- Solid shaft for separate shaft coupling
- Fanuc Serial Interface or Siemens DRIVE-CLiQ interface



### ROC/ROQ 400F/M



### ROC/ROQ 400S



mm  

 Tolerancing ISO 8015  
 ISO 2768 - m H  
 < 6 mm: ±0.2 mm

- ▣ = Bearing
- ⊙ = Fastening thread
- ⊙ = Measuring point for operating temperature
- 1 = Connector coding
- 2 = Direction of shaft rotation for output signals as per the interface description

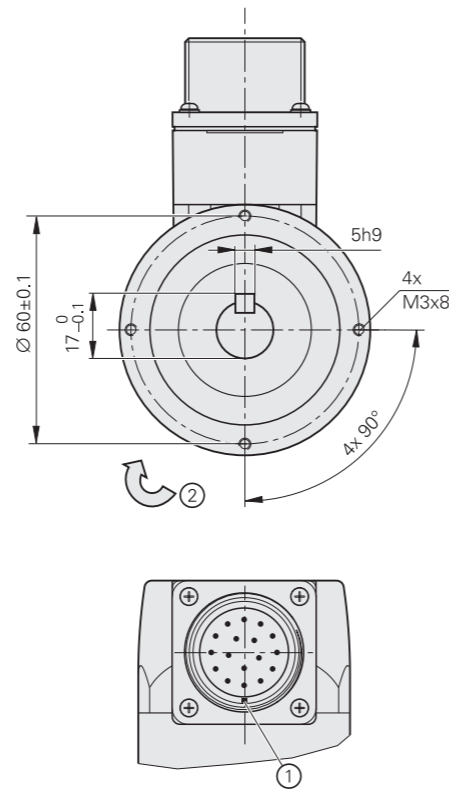
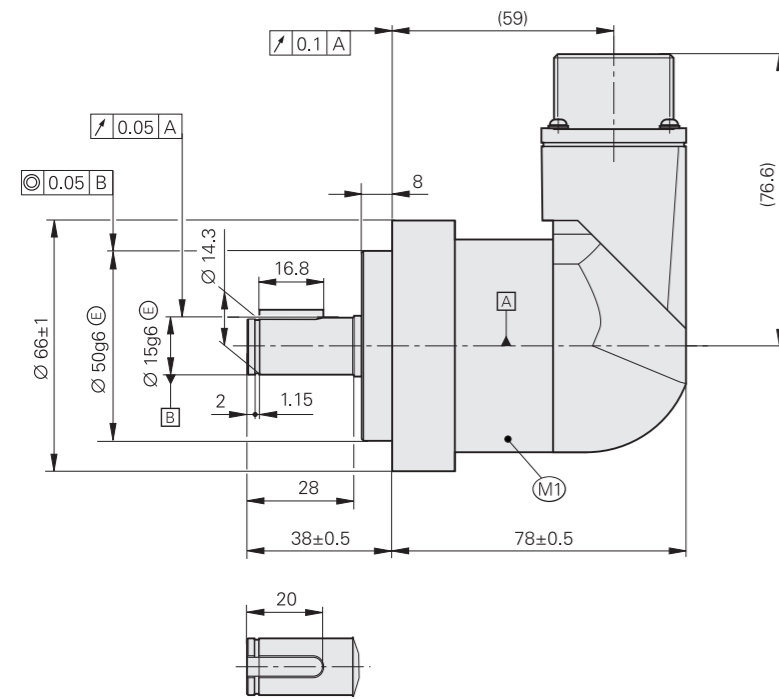
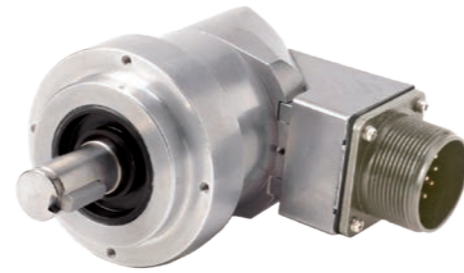
DRIVE-CLiQ is a registered trademark of Siemens AG.

|   | Absolute   |                                | Multiturn                            |                                |
|---|--|--------------------------------|--------------------------------------|--------------------------------|
|   | Singleturn   | ROC 424S                       | ROQ 437F                             | ROQ 436S                       |
| Interface                                   | Fanuc Serial Interface; αi Interface   | DRIVE-CLiQ                     | Fanuc Serial Interface; αi Interface | DRIVE-CLiQ                     |
| Ordering designation                        | Fanuc05 <sup>1)</sup>  | DQ01                           | Fanuc06 <sup>1)</sup>                | DQ01                           |
| Positions per revolution                    | αi: 33554432 (25 bits)<br>α: 8388608 (23 bits)   | 16777216 (24 bits)             | 33554432 (25 bits)                   | 16777216                       |
| Revolutions                                 | 8192 via revolution counter  | –                              | αi: 4096                             | 4096                           |
| Code  | Pure binary  |                                |                                      |                                |
| Elec. perm. shaft speed                     | ≤ 15000 rpm for continuous position value  |                                |                                      |                                |
| Calculation time $t_{cal}$                  | ≤ 5 μs   | ≤ 8 μs <sup>2)</sup>           | ≤ 5 μs                               | ≤ 8 μs <sup>2)</sup>           |
| System accuracy                             | ±20"   |                                |                                      |                                |
| Electrical connection                       | M12 flange socket, radial  |                                |                                      |                                |
| Cable length                                | ≤ 30 m   | ≤ 95 m <sup>3)</sup>           | ≤ 30 m                               | ≤ 95 m <sup>3)</sup>           |
| DC supply voltage                           | 3.6 V to 14 V  | 10 V to 36 V                   | 3.6 V to 14 V                        | 10 V to 36 V                   |
| Power consumption (max.)                    | 5 V: ≤ 0.7 W<br>14 V: ≤ 0.8 W  | 10 V: ≤ 1.4 W<br>36 V: ≤ 1.5 W | 5 V: ≤ 0.75 W<br>14 V: ≤ 0.85 W      | 10 V: ≤ 1.4 W<br>36 V: ≤ 1.5 W |
| Current consumption (typical, without load) | 5 V: 90 mA   | 24 V: 37 mA                    | 5 V: 100 mA                          | 24 V: 43 mA                    |
| Shaft                                       | Solid shaft Ø 10 mm (for ROC 424 S and ROQ 436 S with flat)                                    |                                |                                      |                                |
| Mech. perm. shaft speed $n^4)$              | ≤ 15000 rpm  |                                | ≤ 12000 rpm                          |                                |
| Starting torque (typical)                   | 0.01 Nm (at 20 °C)   |                                |                                      |                                |
| Moment of inertia of rotor                  | ≤ 2.9 · 10 <sup>-6</sup> kgm <sup>2</sup>  |                                |                                      |                                |
| Shaft load                                  | Axial: 40 N; radial: 60 N at shaft end (see also <i>Mechanical design types and mounting</i> ) |                                |                                      |                                |
| Vibration 55 Hz to 2000 Hz<br>Shock 6 ms    | ≤ 300 m/s <sup>2</sup> (EN 60068-2-6)<br>≤ 2000 m/s <sup>2</sup> (EN 60068-2-27)               |                                |                                      |                                |
| Max. operating temp. <sup>4)</sup>          | 100 °C   |                                |                                      |                                |
| Min. operating temp.                        | -30 °C   |                                |                                      |                                |
| Protection EN 60529                         | IP67 at housing; IP64 at shaft inlet   |                                |                                      |                                |
| Mass  | ≈ 0.35 kg  |                                |                                      |                                |
| Valid for ID                                | 1081306-xx   | 1036790-xx <sup>5)</sup>       | 1081304-xx                           | 1036792-xx <sup>5)</sup>       |

1) Optimized for Fanuc machine tools  
 2) Calculation time TIME\_MAX\_ACTVAL  
 3) See the *Interfaces of HEIDENHAIN Encoders* brochure; with  $n_{EN} = 1$  (including adapter cable)  
 4) For the relationship of operating temperature to shaft speed and supply voltage, see *General mechanical information*  
 5) Also available with functional safety; for dimensions and specifications, see Product Information document

# ROD 600 series

- Incremental rotary encoders with sturdy design
- Clamping flange
- Solid shaft for separate shaft coupling



mm  
  
 Tolerancing ISO 8015  
 ISO 2768 - m H  
 < 6 mm: ±0.2 mm

- ▣ = Encoder bearing
- M1 = Measuring point for operating temperature
- 1 = Connector polarizing key
- 2 = Direction of shaft rotation for output signals as per the interface description

|  | Incremental  |                             |
|--|--|-----------------------------|
|  | ROD 620  | ROD 630                     |
| <b>Incremental signals</b>                             |  |                             |
| Line counts*   | 512 1000 1024 2048 5000  |                             |
| Reference mark   | One  |                             |
| Scanning frequency<br>Edge separation <i>a</i>         | ≤ 300 kHz<br>≥ 0.39 μs   |                             |
| <b>System accuracy</b>                                 | ±1/20 of grating period  |                             |
| <b>Electrical connection</b>                           | 17-pin flange socket 1 ¼" – 18UNEF, radial <sup>2)</sup>                         |                             |
| Supply voltage<br>Current consumption without load     | DC 5 V ±0.5 V<br>≤ 120 mA  | DC 10 V to 30 V<br>≤ 150 mA |
| <b>Shaft</b>   | Solid shaft Ø 15 mm with key   |                             |
| Mech. perm. shaft speed <i>n</i>                       | ≤ 12000 rpm  |                             |
| Starting torque (typical)                              | 0.05 Nm (at 20 °C)   |                             |
| Moment of inertia of rotor                             | ≤ 11 · 10 <sup>-6</sup> kgm <sup>2</sup>   |                             |
| Shaft load   | Axial: 75 N<br>Radial: 75 N at shaft end   |                             |
| <b>Vibration</b> 55 Hz to 2000 Hz<br><b>Shock</b> 6 ms | ≤ 200 m/s <sup>2</sup> (EN 60068-2-6)<br>≤ 2000 m/s <sup>2</sup> (EN 60068-2-27) |                             |
| <b>Max. operating temp.</b> <sup>1)</sup>              | 85 °C  |                             |
| <b>Min. operating temp.</b>                            | -20 °C   |                             |
| <b>Relative humidity</b>                               | ≤ 93 % (40 °C/4 d as per EN 60068-2-78); without condensation                    |                             |
| <b>Protection EN 60529</b>                             | IP66   |                             |
| <b>Mass</b>  | ≈ 0.8 kg   |                             |
| <b>Valid for ID</b>                                    | 1145260-xx   | 1145261-xx                  |

\* Please select when ordering  
 1) Self-heating during operation of the rotary encoder at room temperature and shaft speed of 6000 rpm: approx. +50 K  
 2) Compatible mating connector: ID 1094831-01; cable only: ID 816317-xx

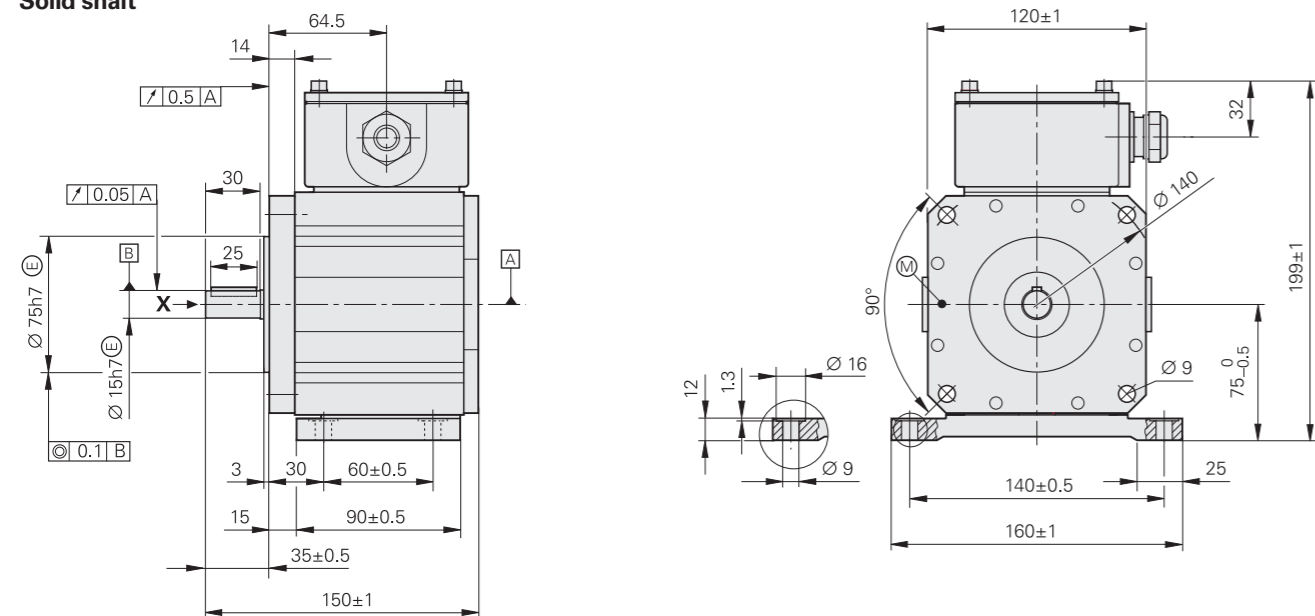
# ROD 1930

## Incremental rotary encoders

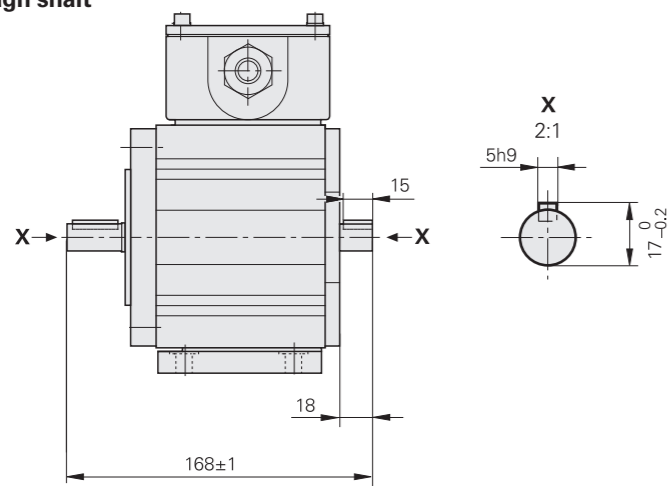
- For fastening with flange or base
- Solid shaft with key for separate shaft coupling



### Solid shaft



### Solid through shaft



mm  
 Tolerancing ISO 8015  
 ISO 2768 - m H  
 < 6 mm: ±0.2 mm

= Bearing  
 = Measuring point for operating temperature

| Incremental                                  |  |
|--|--|
| ROD 1930                                     |  |
| Interface*                                   | HTL  HTLs  |
| Line counts*                                 | 600 1024 1200 2400   |
| Reference mark                               | - One  |
| Output frequency<br>Edge separation <i>a</i> | ≤ 160 kHz<br>≤ 0.76 μs   |
| System accuracy                              | ±1/10 of grating period  |
| Electrical connection                        | Terminal box with screw terminals  |
| Supply voltage                               | DC 10 V to 30 V  |
| Current consumption (typical, without load)  | 15 V: 60 mA  |
| Shaft*                                       | Solid shaft or solid through shaft Ø 15 mm with key                              |
| Mech. permiss. shaft speed                   | ≤ 4000 rpm   |
| Starting torque (typical) at 20 °C           | Solid shaft: 0.05 Nm<br>Solid through shaft: 0.15 Nm                             |
| Moment of inertia of rotor                   | $2.5 \cdot 10^{-5} \text{ kgm}^2$  |
| Permissible angular acceleration             | $\leq 4 \cdot 10^4 \text{ rad/s}^2$  |
| Shaft load <sup>1)</sup>                     | Axial: ≤ 150 N<br>Radial: ≤ 200 N at shaft end                                   |
| Vibration 25 Hz to 200 Hz<br>Shock 6 ms      | ≤ 100 m/s <sup>2</sup> (EN 60068-2-6)<br>≤ 1000 m/s <sup>2</sup> (EN 60068-2-27) |
| Operating temperature <sup>2)</sup>          | -20 °C to +70 °C   |
| Protection EN 60529                          | IP66   |
| Mass   | ≈ 4.5 kg   |
| Valid for ID                                 | Solid shaft: 1043373-xx<br>Through shaft: 1043377-xx                             |

\* Please select when ordering

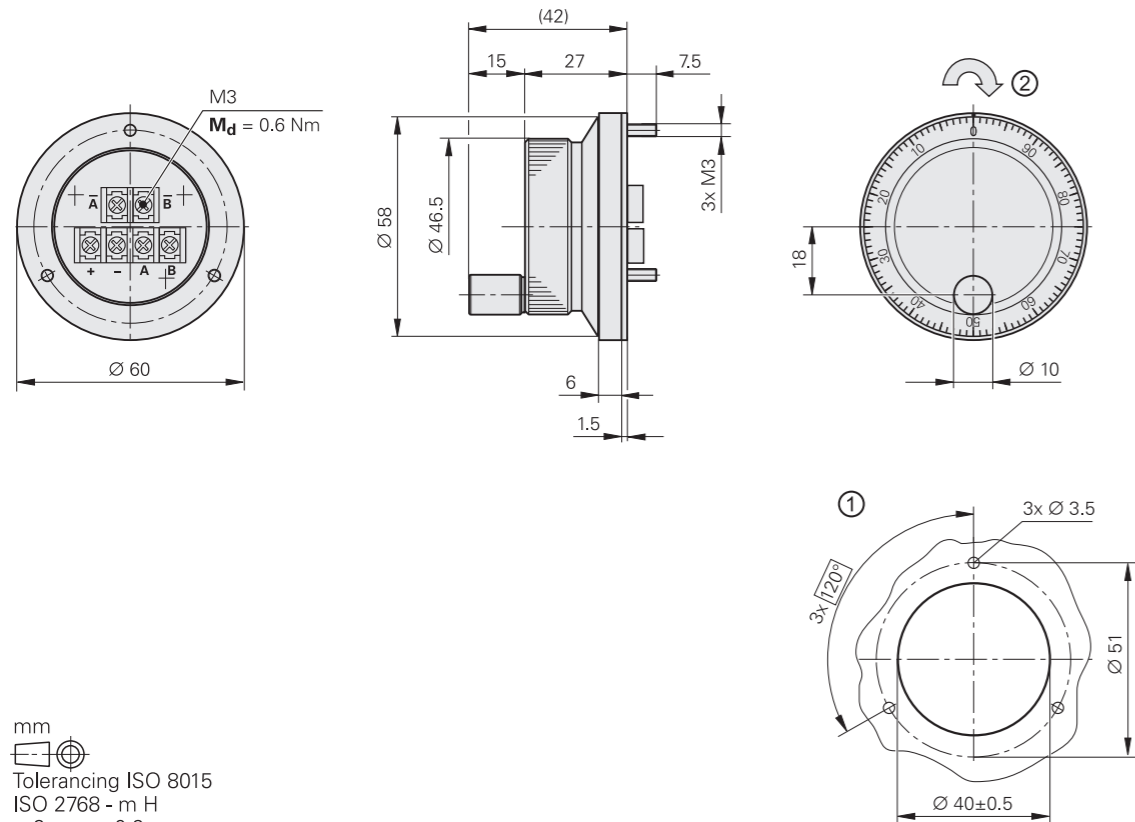
<sup>1)</sup> See also *Mechanical design types and mounting*

<sup>2)</sup> Special versions upon request (e.g., with water jacket)

# HR 1120

## Electronic handwheel

- Version for integration
- With mechanical detent



mm  
  
 Tolerancing ISO 8015  
 ISO 2768 - m H  
 < 6 mm: ±0.2 mm

1 = Cutout for mounting  
 2 = Direction for output signals as per the interface description

| Incremental                        |   |
|------------------------------------|---|
| HR 1120                            |   |
| <b>Interface</b>                   | □TTL  |
| Line count                         | 100   |
| Output frequency                   | ≤ 5 kHz   |
| Switching times                    | t <sub>+</sub> / t <sub>-</sub> ≤ 100 ns  |
| <b>Electrical connection</b>       | Via M3 screw terminals  |
| Cable length                       | ≤ 30 m  |
| Supply voltage                     | DC 5 V ±0.25 V  |
| Current consumption without load   | ≤ 160 mA  |
| <b>Detent</b>                      | Mechanical<br>100 detent positions per revolution<br>Detent positions defined within the LOW level of U <sub>a1</sub> and U <sub>a2</sub> |
| <b>Mech. perm. shaft speed</b>     | ≤ 200 rpm   |
| <b>Torque</b>                      | ≤ 0.1 Nm (at 25 °C)   |
| <b>Vibration</b> (10 Hz to 200 Hz) | ≤ 20 m/s <sup>2</sup>   |
| <b>Max. operating temp.</b>        | 60 °C   |
| <b>Min. operating temp.</b>        | 0 °C  |
| <b>Protection EN 60529</b>         | IP00; IP40 when mounted<br>No condensation permitted  |
| <b>Mass</b>                        | ≈ 0.15 kg   |
| <b>Valid for ID</b>                | 687617-xx   |



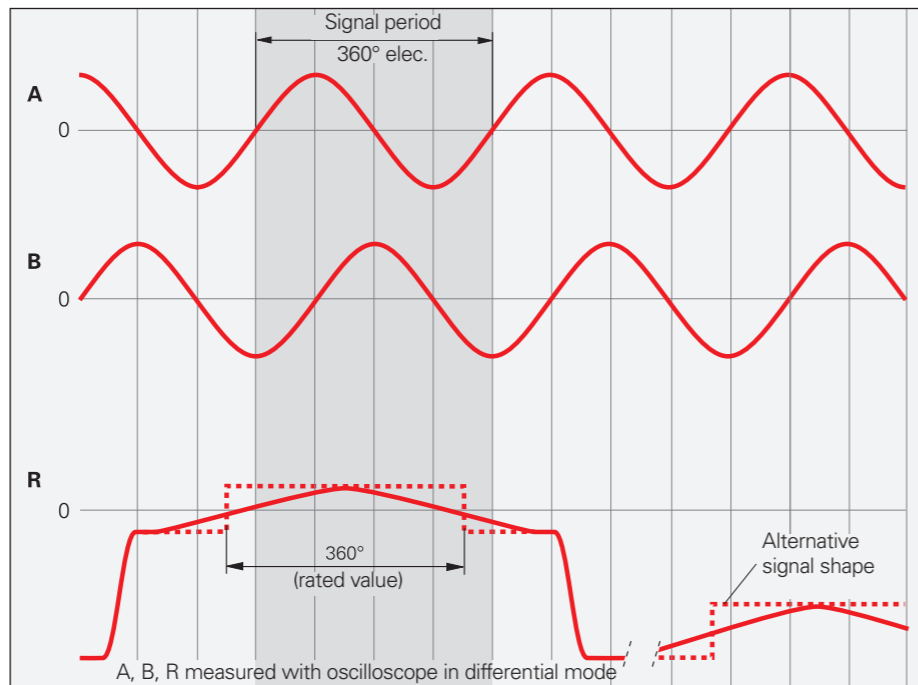
# Interfaces

## ~ 1 V<sub>PP</sub> incremental signals

HEIDENHAIN encoders with the ~ 1 V<sub>PP</sub> interface provide voltage signals that can be highly interpolated.

The sinusoidal **incremental signals** A and B are phase-shifted by 90° elec. and have a typical amplitude of 1 V<sub>PP</sub>. The illustrated sequence of output signals—with B lagging A—applies to the direction of motion shown in the dimension drawing.

The **reference mark signal** R has a unique assignment to the incremental signals. The output signal may be lower next to the reference mark.



### Further information:

For detailed descriptions of all available interfaces, as well as general electrical information, please refer to the *Interfaces of HEIDENHAIN Encoders* brochure.

HEIDENHAIN offers signal converters for adapting encoders to the interface of the downstream electronics. For information about this, please refer to the *Signal Converters* Product Overview.

### Pin layout

| 12-pin M23 coupling |  | 12-pin M23 connector |  | Power supply   |                      |              |                      |       |       | Incremental signals |      |     |       |        |        | Other signals |  |  |  |
|---------------------|--|----------------------|--|----------------|----------------------|--------------|----------------------|-------|-------|---------------------|------|-----|-------|--------|--------|---------------|--|--|--|
|                     |  |                      |  | 12             | 2                    | 10           | 11                   | 5     | 6     | 8                   | 1    | 3   | 4     | 9      | 7      | /             |  |  |  |
|                     |  |                      |  | U <sub>P</sub> | Sensor <sup>1)</sup> | 0V           | Sensor <sup>1)</sup> | A+    | A-    | B+                  | B-   | R+  | R-    | Vacant | Vacant | Vacant        |  |  |  |
|                     |  |                      |  | Brown/ Green   | Blue                 | White/ Green | White                | Brown | Green | Gray                | Pink | Red | Black | /      | Violet | Yellow        |  |  |  |

**Cable shield** connected to housing; U<sub>P</sub> = Power supply voltage

**Sensor:** The sense line is connected in the encoder with the corresponding power line. Vacant pins or wires must not be used!

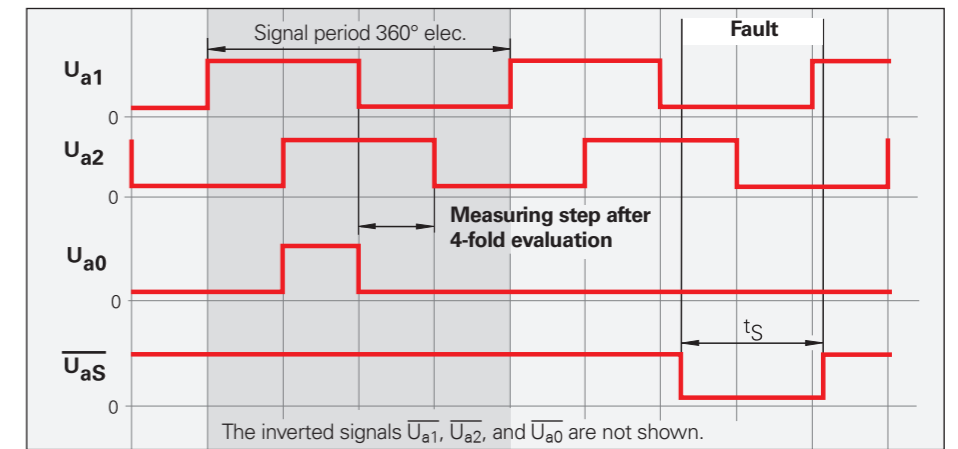
<sup>1)</sup> LIDA 2xx: vacant

## □ TTL incremental signals

HEIDENHAIN encoders with the □ TTL interface incorporate electronics that digitize sinusoidal scanning signals with or without interpolation.

The **incremental signals** are output as the square-wave pulse trains U<sub>a1</sub> and U<sub>a2</sub>, phase-shifted by 90° elec. The **reference mark signal** consists of one or more reference pulses U<sub>a0</sub>, which are gated with the incremental signals. In addition, the integrated electronics generate the **inverted signals** U<sub>a1</sub><sup>-</sup>, U<sub>a2</sub><sup>-</sup>, and U<sub>a0</sub><sup>-</sup> for noise-immune transmission. The illustrated sequence of output signals—with U<sub>a2</sub> lagging U<sub>a1</sub>—applies to the direction of motion shown in the dimension drawing.

The **fault detection signal** U<sub>aS</sub><sup>-</sup> indicates malfunctions such as supply line breakage, failure of the light source, etc.



The distance between two successive edges of the incremental signals U<sub>a1</sub> and U<sub>a2</sub> through 1-fold, 2-fold, or 4-fold evaluation is one **measuring step**.

### Further information:

For detailed descriptions of all available interfaces, as well as general electrical information, please refer to the *Interfaces of HEIDENHAIN Encoders* brochure.

### ERN and ROD pin layouts

| 12-pin M23 flange socket or coupling |  | 12-pin M23 connector |        |              |        | 17-pin flange socket 1¼" – 18UNEF |                              |                 |                              |                 |                              |                               |                      |  |  |
|--------------------------------------|--|----------------------|--------|--------------|--------|-----------------------------------|------------------------------|-----------------|------------------------------|-----------------|------------------------------|-------------------------------|----------------------|--|--|
|                                      |  |                      |        |              |        |                                   |                              |                 |                              |                 |                              |                               |                      |  |  |
|                                      |  | Power supply         |        |              |        | Incremental signals               |                              |                 |                              |                 |                              |                               | Other signals        |  |  |
| M23                                  |  | 12                   | 2      | 10           | 11     | 5                                 | 6                            | 8               | 1                            | 3               | 4                            | 7                             | 9                    |  |  |
| 1¼"                                  |  | H                    | F      | K            | M      | A                                 | N                            | C               | R                            | B               | P                            | S                             | D/E/G/J/L/T          |  |  |
|                                      |  | U <sub>P</sub>       | Sensor | 0V           | Sensor | U <sub>a1</sub>                   | U <sub>a1</sub> <sup>-</sup> | U <sub>a2</sub> | U <sub>a2</sub> <sup>-</sup> | U <sub>a0</sub> | U <sub>a0</sub> <sup>-</sup> | U <sub>aS</sub> <sup>1)</sup> | Vacant <sup>2)</sup> |  |  |
|                                      |  | Brown/ Green         | Blue   | White/ Green | White  | Brown                             | Green                        | Gray            | Pink                         | Red             | Black                        | Violet                        | Yellow               |  |  |

**Shield** on housing; U<sub>P</sub> = Power supply voltage

**Sensor:** The sense line is connected in the encoder with the corresponding power line.

<sup>1)</sup> ERO 14xx: vacant

<sup>2)</sup> Exposed linear encoders: TTL/11 μA<sub>PP</sub> switchover for PWT

### HR pin layout

| Screw-terminal connection |  | Power supply         |                      | Incremental signals |                              |                 |                              |
|---------------------------|--|----------------------|----------------------|---------------------|------------------------------|-----------------|------------------------------|
|                           |  | +                    | -                    | A                   | A <sup>-</sup>               | B               | B <sup>-</sup>               |
|                           |  | U <sub>P</sub><br>5V | U <sub>N</sub><br>0V | U <sub>a1</sub>     | U <sub>a1</sub> <sup>-</sup> | U <sub>a2</sub> | U <sub>a2</sub> <sup>-</sup> |

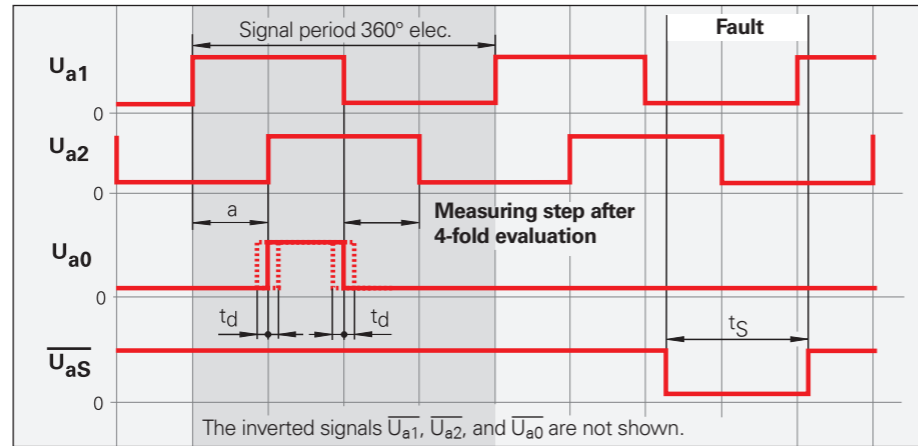
A shielded cable with a cross section of at least 0.5 mm<sup>2</sup> is recommended when connecting the handwheel to the power supply. The handwheel is connected via screw terminals. The wires must be provided with the appropriate ferrules.

# HTL, HTLs incremental signals

HEIDENHAIN encoders with the HTL interface contain electronics that digitize sinusoidal scanning signals with or without interpolation.

The **incremental signals** are output as the square-wave pulse trains  $U_{a1}$  and  $U_{a2}$ , phase-shifted by  $90^\circ$  elec. The **reference mark signal** consists of one or more reference pulses  $U_{a0}$ , which are gated with the incremental signals. In addition, the integrated electronics generate the **inverted signals**  $\overline{U_{a1}}$ ,  $\overline{U_{a2}}$ , and  $\overline{U_{a0}}$  for noise-immune transmission (not with HTLs). The illustrated sequence of output signals—with  $U_{a2}$  lagging  $U_{a1}$ —applies to the direction of motion shown in the dimension drawing.

The **fault detection signal**  $\overline{U_{aS}}$  indicates a malfunction such as failure of the light source, etc.



The distance between two successive edges of the incremental signals  $U_{a1}$  and  $U_{a2}$  through 1-fold, 2-fold, or 4-fold evaluation is one **measuring step**.

**Further information:**  
For detailed descriptions of all available interfaces, as well as general electrical information, please refer to the *Interfaces of HEIDENHAIN Encoders* brochure.

## Power and current consumption

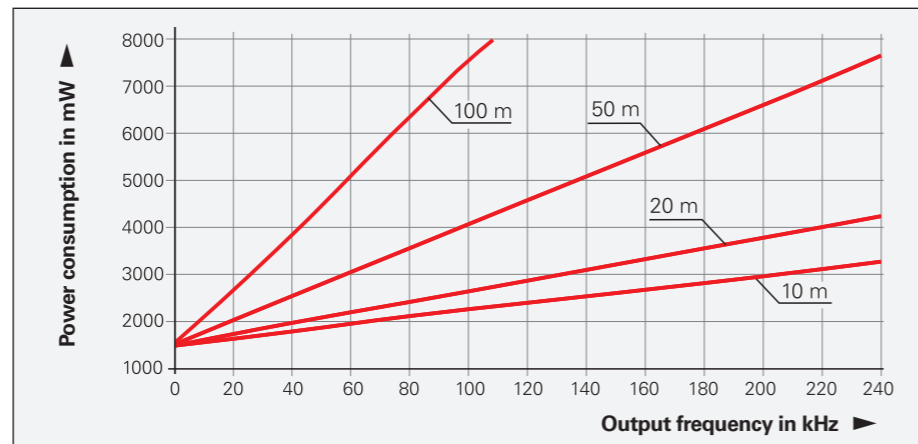
For encoders with a wide supply voltage range, the current consumption exhibits a nonlinear relationship to the supply voltage. It is determined using the calculation described in the *Interfaces of HEIDENHAIN Encoders* brochure.

For the rotary encoders with additional HTL output signals, the power consumption also depends on the output frequency and cable length. The power consumption values for the HTL and HTLs interfaces can therefore be read off separately from the diagrams.

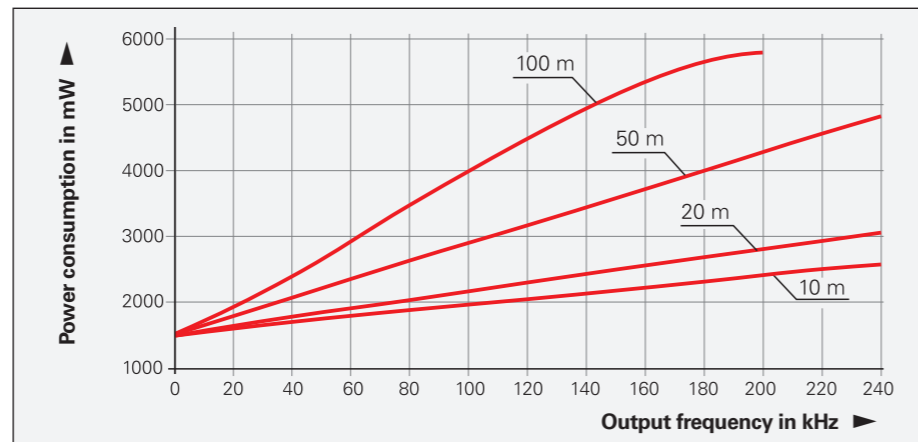
The maximum permissible output frequency is shown in the specifications. This frequency occurs at the maximum permissible shaft speed. The output frequency for any shaft speed is calculated using the following formula:

$$f = (n/60) \cdot z \cdot 10^{-3}$$

With  
 $f$  = Output frequency in kHz  
 $n$  = Shaft speed in rpm  
 $z$  = Number of signal periods per  $360^\circ$



Power consumption (maximum) for the HTL interface and supply voltage  $U_P = 30\text{ V}$



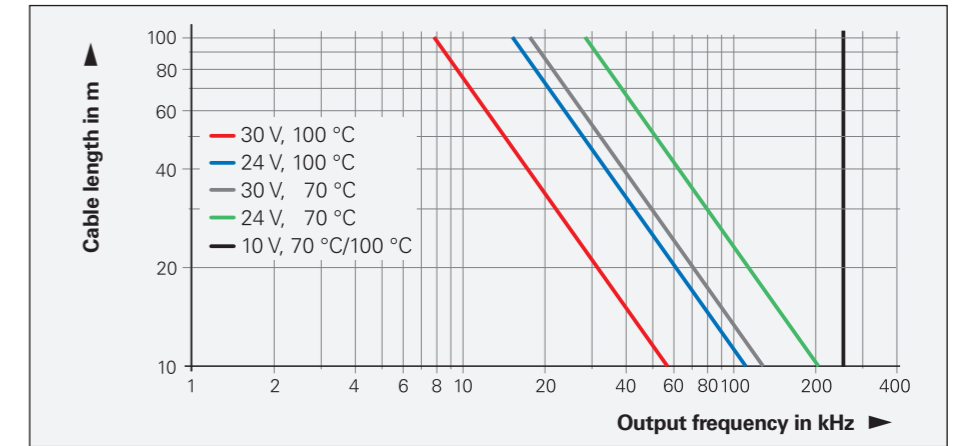
Power consumption (maximum) for the HTLs interface and supply voltage  $U_P = 30\text{ V}$

## Cable length for HTL

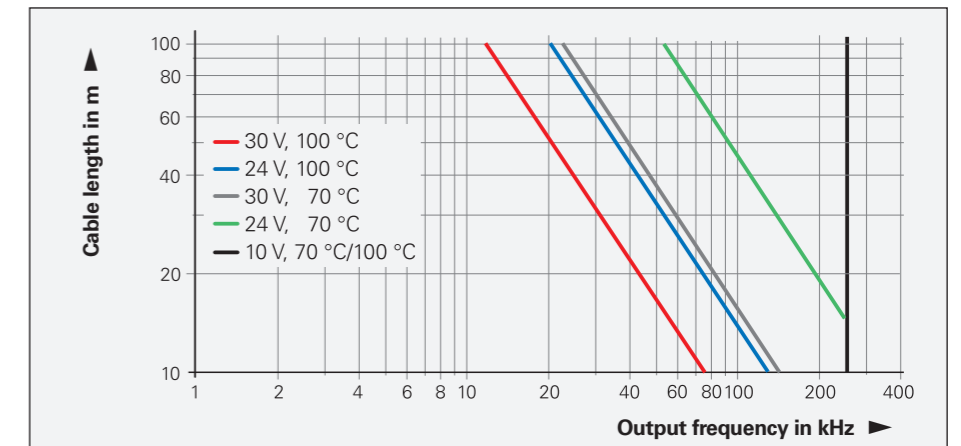
For those rotary encoders with additional HTL output signals, the maximum permissible cable length may vary depending on several criteria:

- Output frequency
- Supply voltage
- Operating temperature

The diagrams show these relationships separately for the HTL and HTLs interfaces. At a supply voltage of DC 10 V, there are no limitations on cable length.



Maximum permissible cable length for the HTL interface



Maximum permissible cable length for the HTLs interface

# EnDat position values

## Pin layout

| 12-pin M23 flange socket or coupling |                |                       |             | 17-pin flange socket 1 1/4" - 18UNEF |                 |                 |                 |                 |                 |                 |                 |             |
|--------------------------------------|----------------|-----------------------|-------------|--------------------------------------|-----------------|-----------------|-----------------|-----------------|-----------------|-----------------|-----------------|-------------|
|                                      |                |                       |             |                                      |                 |                 |                 |                 |                 |                 |                 |             |
|                                      | Power supply   |                       |             | Incremental signals                  |                 |                 |                 | Other signals   |                 |                 |                 |             |
| M23                                  | 12             | 2                     | 10          | 11                                   | 5               | 6               | 8               | 1               | 3               | 4               | 7               | 9           |
| 1 1/4"                               | H              | F                     | K           | M                                    | A               | N               | C               | R               | B               | P               | S               | D/E/G/J/L/T |
| HTL                                  | U <sub>P</sub> | Sensor U <sub>P</sub> | 0V          | Sensor 0V                            | U <sub>a1</sub> | U <sub>a1</sub> | U <sub>a2</sub> | U <sub>a2</sub> | U <sub>a0</sub> | U <sub>a0</sub> | U <sub>aS</sub> | Vacant      |
| HTLs*                                | ●              |                       | ●           |                                      | 0V              |                 | 0V              |                 | 0V              |                 |                 |             |
|                                      | Brown/Green    | Blue                  | White/Green | White                                | Brown           | Green           | Gray            | Pink            | Red             | Black           | Violet          | Yellow      |

Shield on housing; U<sub>P</sub> = Power supply voltage

Sensor: The sense line is connected in the encoder with the corresponding power line.

\* Only with 12-pin M23 flange socket or coupling

## ROD 1930 pin layout

| Screw-terminal connection |                |                |                     |                 |                 |                 |
|---------------------------|----------------|----------------|---------------------|-----------------|-----------------|-----------------|
|                           | 1              | 2              | 3                   | 4               | 5               | 6               |
|                           |                |                |                     |                 |                 |                 |
|                           | Power supply   |                | Incremental signals |                 |                 |                 |
| Connection                | 1              | 2              | 3                   | 4               | 5               | 6               |
| HTL                       | U <sub>P</sub> | U <sub>N</sub> | U <sub>a1</sub>     | U <sub>a1</sub> | U <sub>a2</sub> | U <sub>a2</sub> |
| HTLs                      |                | 0V             |                     | U <sub>a2</sub> | 0V              | U <sub>a0</sub> |

For connection, a shielded cable with a cross section of at least 0.5 mm<sup>2</sup> is recommended for the power supply. The connection is performed via screw terminals. The wires must be provided with the appropriate ferrules.

The EnDat interface is a digital, **bidirectional** interface for encoders. It is capable of outputting **position values**, reading information stored in the encoder, updating this information, and storing new information. Because the interface uses **serial transmission**, only **four signal lines** are required. The data (DATA) are transmitted in **synchronism** with the CLOCK signal from the downstream electronics. The type of transmission (position values, parameters, diagnostics, etc.) is selected via mode commands that the downstream electronics send to the encoder. Some functions are available only with EnDat 2.2 mode commands.

### Further information:

For detailed descriptions of all available interfaces, as well as general electrical information, please refer to the *Interfaces of HEIDENHAIN Encoders* brochure.

### Integrated temperature evaluation

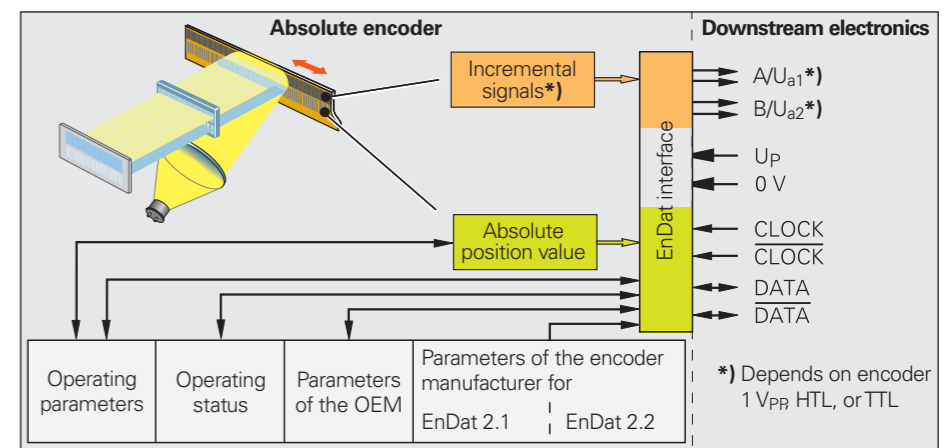
Rotary encoders with EnDat 2.2 feature an internal temperature sensor integrated into the encoder electronics. The digitized temperature value is transmitted purely serially via the EnDat protocol. Please bear in mind that this temperature measurement and transmission is not safe in terms of functional safety.

With regard to the internal temperature sensor, these rotary encoders support the two-stage cascaded signaling of a temperature exceedance. This signaling consists of an EnDat warning and an EnDat error message.

In compliance with the EnDat specification, when the temperature reaches the warning threshold for the temperature exceedance of the internal temperature sensor, an EnDat warning is issued (EnDat memory area "Operating status," word 1 "Warnings," bit 2<sup>1</sup> "Temperature exceeded").

| Ordering designation        | Command set            | Incremental signals             |
|-----------------------------|------------------------|---------------------------------|
| EnDat01<br>EnDatH<br>EnDatT | EnDat 2.1 or EnDat 2.2 | 1 V <sub>PP</sub><br>HTL<br>TTL |
| EnDat21                     |                        | -                               |
| EnDat02                     | EnDat 2.2              | 1 V <sub>PP</sub>               |
| EnDat22                     | EnDat 2.2              | -                               |

Versions of the EnDat interface



This warning threshold for the internal temperature sensor is stored in the EnDat memory area "Operating parameters," word 6 "Trigger threshold warning bit for excessive temperature," and can be individually adjusted. A device-specific default value is saved here before shipping. The temperature measured by the internal temperature sensor is higher by a device-specific and application-specific amount than the temperature at measuring point M1 in accordance with the dimension drawing.

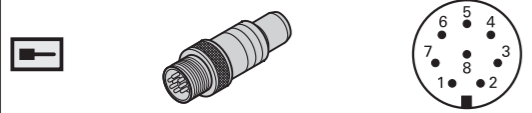
The encoders feature a further, albeit non-adjustable, trigger threshold of the internal temperature sensor, which, when exceeded, triggers an EnDat error message (the EnDat memory area "Operating status," word 0 "Error messages," bit 2<sup>2</sup> "Position," and in additional data 2 "Operating status error sources," bit 2<sup>6</sup> "Temperature exceeded"). This threshold may vary depending on the encoder and is stated in the specifications.



HEIDENHAIN recommends adjusting the warning threshold based on the application such that this threshold is sufficiently below the trigger threshold for the "Temperature exceeded" EnDat error message. Compliance with the operating temperature at measuring point M1 is required for adherence to the encoder's proper and intended use.

# Fanuc pin layouts

## Pin layout

**8-pin M12 coupling**



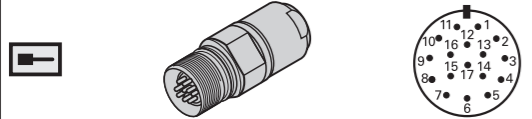
|   | Power supply   |                       |             |           | Serial data transmission |      |        |        |
|---|----------------|-----------------------|-------------|-----------|--------------------------|------|--------|--------|
|  | 8              | 2                     | 5           | 1         | 3                        | 4    | 7      | 6      |
|   | U <sub>P</sub> | Sensor U <sub>P</sub> | 0V          | Sensor 0V | DATA                     | DATA | CLOCK  | CLOCK  |
|  | Brown/Green    | Blue                  | White/Green | White     | Gray                     | Pink | Violet | Yellow |



**Cable shield** connected to housing; **U<sub>P</sub>** = Power supply voltage

**Sensor:** The sense line is connected in the encoder with the corresponding power line.

Vacant pins or wires must not be used!

## 17-pin M23 coupling



|   | Power supply   |                       |             |           |                               | Incremental signals <sup>1)</sup> |              |            |           | Serial data transmission |      |        |        |
|---|----------------|-----------------------|-------------|-----------|-------------------------------|-----------------------------------|--------------|------------|-----------|--------------------------|------|--------|--------|
|  | 7              | 1                     | 10          | 4         | 11                            | 15                                | 16           | 12         | 13        | 14                       | 17   | 8      | 9      |
|   | U <sub>P</sub> | Sensor U <sub>P</sub> | 0V          | Sensor 0V | Internal shield <sup>2)</sup> | A+                                | A-           | B+         | B-        | DATA                     | DATA | CLOCK  | CLOCK  |
|  | Brown/Green    | Blue                  | White/Green | White     | /                             | Green/Black                       | Yellow/Black | Blue/Black | Red/Black | Gray                     | Pink | Violet | Yellow |

**Cable shield** connected to housing; **U<sub>P</sub>** = Power supply voltage

**Sensor:** The sense line is connected in the encoder with the corresponding power line.

Vacant pins or wires must not be used!

<sup>1)</sup> Only with EnDat01 and EnDat02

<sup>2)</sup> Vacant for the ECN/EQN 10xx and ROC/ROQ 10xx

## Fanuc pin layout

HEIDENHAIN encoders with the code letter F after the model designation are optimized for connection to Fanuc machine-tool controls with the

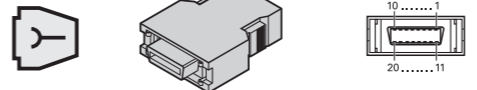
### Fanuc Serial Interface – α Interface

- Ordering designation: Fanuc02 normal and high speed, two-pair transmission

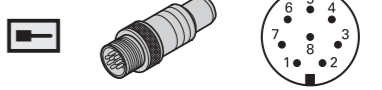
### Fanuc Serial Interface – α Interface




- Ordering designation: Fanuc05 high speed, one-pair transmission  
Incorporates the α Interface (normal and high speed, two-pair transmission)
- Ordering designation: Fanuc06 high speed, one-pair transmission

**20-pin Fanuc connector**



**8-pin M12 coupling**



|   | Power supply   |                       |             |           |        | Serial data transmission |             |         |         |
|---|----------------|-----------------------|-------------|-----------|--------|--------------------------|-------------|---------|---------|
|  | 9              | 18/20                 | 12          | 14        | 16     | 1                        | 2           | 5       | 6       |
|  | 8              | 2                     | 5           | 1         | -      | 3                        | 4           | 7       | 6       |
|   | U <sub>P</sub> | Sensor U <sub>P</sub> | 0V          | Sensor 0V | Shield | Serial Data              | Serial Data | Request | Request |
|  | Brown/Green    | Blue                  | White/Green | White     | -      | Gray                     | Pink        | Violet  | Yellow  |

**Cable shield** connected to housing; **U<sub>P</sub>** = Power supply voltage

**Sensor:** The sense line is connected in the encoder with the corresponding power line.



Vacant pins or wires must not be used!

# Siemens pin layout

## Siemens pin layout

HEIDENHAIN encoders with the code letter S after the model designation are suitable for connection to Siemens controls with the **DRIVE-CLiQ interface**

- Ordering designation: DQ01

| RJ45 connector  | Power supply   |    | Serial data transmission |     |              |     |
|---|----------------|----|--------------------------|-----|--------------|-----|
|   | A              | B  | Transmit data            |     | Receive data |     |
|  | 1              | 5  | 3                        | 6   | 1            | 2   |
|  | 1              | 5  | 7                        | 6   | 3            | 4   |
|   | U <sub>P</sub> | 0V | TXP                      | TXN | RXP          | RXN |

Cable shield connected to housing; U<sub>P</sub> = Power supply voltage

## Integrated temperature evaluation

Rotary encoders with the DRIVE-CLiQ interface include an internal temperature sensor integrated into the encoder electronics. The digitized temperature value is transmitted purely serially via the DRIVE-CLiQ interface. Please bear in mind that neither the temperature measurement nor the transmission of the temperature value is safe in terms of functional safety.

The temperature measured by the internal temperature sensor is higher by a device-specific and application-specific amount than the temperature at measuring point M1 in accordance with the dimension drawing.

Upon reaching a trigger threshold for the internal temperature sensor, these rotary encoders issue an "Alarm 405" error message. This threshold may vary

depending on the encoder and is stated in the specifications. During operation, HEIDENHAIN recommends keeping the temperature adequately below the trigger threshold for the error message.

Compliance with the operating temperature at measuring point M1 is required for adherence to the encoder's proper and intended use.

# SSI position values

The **position value** is transmitted, starting with the most significant bit (MSB), over the data lines (DATA) in synchronism with a clock signal (CLOCK) provided by the control. The SSI standard data word length for singleturn encoders is 13 bits, and for multiturn encoders, 25 bits. In addition to the absolute position values, **incremental signals** can be transmitted as well. For a signal description, see *1 V<sub>PP</sub> incremental signals*.

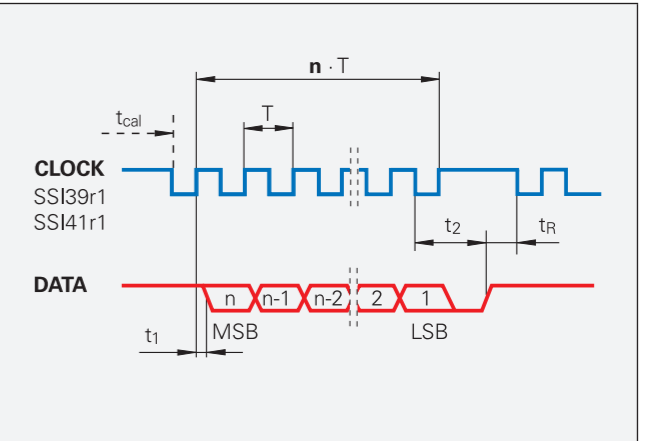
The following **functions** can be activated via programming inputs:

- Direction of rotation**
- Zero reset** (setting to zero)



## Data transmission

T = 1 to 10 μs  
 t<sub>cal</sub> See *Specifications*  
 t<sub>1</sub> ≤ 0.4 μs (without cable)  
 t<sub>2</sub> = 17 μs to 20 μs  
 t<sub>R</sub> ≥ 5 μs  
 n = Data word length  
 13 bits for ECN/ROC  
 25 bits for EQN/ROQ

CLOCK and DATA not shown



## Pin layout

| 17-pin M23 coupling   | Power supply   |                       |             |           | Incremental signals |             |              |            | Serial data transmission |      |      |        | Other signals |                  |             |
|---|----------------|-----------------------|-------------|-----------|---------------------|-------------|--------------|------------|--------------------------|------|------|--------|---------------|------------------|-------------|
|   | 7              | 1                     | 10          | 4         | 11                  | 15          | 16           | 12         | 13                       | 14   | 17   | 8      | 9             | 2                | 5           |
|  | U <sub>P</sub> | Sensor U <sub>P</sub> | 0V          | Sensor 0V | Internal shield     | A+          | A-           | B+         | B-                       | DATA | DATA | CLOCK  | CLOCK         | Dir. of rotation | Set to zero |
|  | Brown/Green    | Blue                  | White/Green | White     | /                   | Green/Black | Yellow/Black | Blue/Black | Red/Black                | Gray | Pink | Violet | Yellow        | Black            | Green       |

Shield on housing; U<sub>P</sub> = Power supply voltage

**Sensor:** With a 5 V supply voltage, the sense line is connected in the encoder with the corresponding power line. Vacant pins or wires must not be used!

DRIVE-CLiQ is a registered trademark of Siemens AG.

## Further information:

For detailed descriptions of all available interfaces, as well as general electrical information, please refer to the *Interfaces of HEIDENHAIN Encoders* brochure.

# Cables and connecting elements

## General information

**Plastic-insulated connector:** connecting element with coupling ring, available with male or female contacts (see symbols)

**Symbols**

**M12**

**M12 right-angle connector**

**M23**

**1/4" - 18UNEF**

**Plastic-insulated coupling:** connecting element with external thread, available with male or female contacts (see symbols)

**Symbols**

**Mounted coupling with central fastening**

**Mounted coupling with flange**

**Flange socket with external thread;** is permanently mounted on a housing, available with male or female contacts

**Symbols**

**D-sub connector for HEIDENHAIN controls and evaluation electronics.**

**Symbols**

<sup>1)</sup> Interface electronics integrated into the connector

The **pin numbering** on connectors is in the direction opposite to that on couplings or flange sockets, regardless of whether the connecting elements have

male contacts or

female contacts.

When connected, the connecting elements provide are **rated** at IP67 (D-sub connector: IP50; EN 60529). When not connected, there is no protection.

**Accessory for flange sockets and M23 mounted couplings**

**Threaded metal dust cap**  
ID 219926-01

**Accessory for M12 connecting element**  
**Insulation spacer**  
ID 596495-01

## Connecting cables for 1 V<sub>PP</sub>, TTL, HTL

## 12-pin M23

|  |  | ~ 1 V <sub>PP</sub> , □ TTL, □ HTL  |
|--|--|-------------------------------------|
| <b>PUR connecting cables</b>   | <b>12-pin:</b> 4(2 x 0.14 mm <sup>2</sup> ) + (4 x 0.5 mm <sup>2</sup> ); A <sub>P</sub> = 0.5 mm <sup>2</sup> | <b>Ø 8 mm</b>                       |
| With connector (female) and coupling (male)  |  | 298401-xx                           |
| With connector (female) and connector (male)   |  | 298399-xx                           |
| With connector (female) and 15-pin D-sub connector (female) for the TNC  |  | 310199-xx                           |
| With connector (female) and 15-pin D-sub connector (male) for the PWM 20/EIB 74x   |  | 310196-xx                           |
| With connector (female) and stripped cable end   |  | 309777-xx                           |
| <b>Cable only, Ø 8 mm</b>  |  | 816317-xx                           |
| <b>Mating element on connecting cable; fits encoder connector</b>  | <b>Connector (female) for cable Ø 8 mm</b><br>   | 291697-05                           |
| <b>Connector on connecting cable for connection to the downstream electronics</b>  | <b>Connector (male) for cable Ø 8 mm, Ø 6 mm</b><br>   | 291697-08<br>291697-07              |
| <b>Coupling on connecting cable</b>  | <b>Coupling (male) for cable Ø 4.5 mm, Ø 6 mm, Ø 8 mm</b><br>  | 291698-14<br>291698-03<br>291698-04 |
| <b>Flange socket for installation the downstream electronics</b>   | <b>Flange socket (female)</b><br>  | 315892-08                           |
| <b>Mounted couplings</b>   | <b>With flange (female)</b> Ø 6 mm, Ø 8 mm<br>   | 291698-17<br>291698-07              |
|  | <b>With flange (male)</b> Ø 6 mm, Ø 8 mm<br>   | 291698-08<br>291698-31              |
|  | <b>With central fastening (male)</b> Ø 6 mm to 10 mm<br>   | 741045-01                           |
| <b>Adapter connector</b> ~ 1 V <sub>PP</sub> /11 μA <sub>PP</sub><br>For converting 1 V <sub>PP</sub> to 11 μA <sub>PP</sub> ;<br>12-pin M23 connector (female) and 9-pin M23 connector (male) |  | 364914-01                           |

A<sub>P</sub>: Cross section of power supply lines

# EnDat connecting cables

8-pin M12      17-pin M23

|   |                | EnDat without incremental signals   |           | EnDat with incremental signals SSI   |
|---|----------------|---|-----------|--------------------------------------|
| <b>PUR connecting cables</b>  |                | <b>8-pin:</b> $(4 \times 0.14 \text{ mm}^2) + (4 \times 0.34 \text{ mm}^2)$ ; $A_P = 0.34 \text{ mm}^2$<br><b>17-pin:</b> $(4 \times 0.14 \text{ mm}^2) + 4(2 \times 0.14 \text{ mm}^2) + (4 \times 0.5 \text{ mm}^2)$ ; $A_P = 0.5 \text{ mm}^2$ |           |                                      |
|   | Cable diameter | 6 mm  | 3.7 mm    | 8 mm                                 |
| With connector (female) and coupling (male)   |                | 368330-xx   | 801142-xx | 323897-xx<br>340302-xx               |
| With right-angle connector (female) and coupling (male)   |                | 373289-xx   | 801149-xx | –                                    |
| With connector (female) and 15-pin D-sub connector (female) for the TNC (position inputs)                   |                | 533627-xx   | –         | 332115-xx                            |
| With connector (female) and 25-pin D-sub connector (female) for the TNC (speed inputs)                      |                | 641926-xx   | –         | 336376-xx                            |
| With connector (female) and 15-pin D-sub connector (male) for the IK 215, PWM 20, EIB 74x, etc.             |                | 524599-xx   | 801129-xx | 324544-xx                            |
| With right-angle connector (female) and 15-pin D-sub connector (male) for the IK 215, PWM 20, EIB 74x, etc. |                | 722025-xx   | 801140-xx | –                                    |
| With connector (female) and stripped cable end  |                | 634265-xx   | –         | 309778-xx<br>309779-xx <sup>1)</sup> |
| With right-angle connector (female) and stripped cable end  |                | 606317-xx   | –         | –                                    |
| <b>Cable only</b>   |                | –   | –         | 816322-xx                            |

*Italics:* Cable with layout for "speed encoder" input (MotEnc EnDat)

<sup>1)</sup> Without incremental signals

$A_P$ : Cross section of power supply lines

# Connecting cables Fanuc Siemens

|   |  | Cables | Fanuc     |
|---|--|--------|-----------|
| <b>PUR connecting cables for M23 connecting element</b>   |  |        |           |
| With 17-pin M23 connector (female) and Fanuc connector $(2 \times 2 \times 0.14 \text{ mm}^2) + (4 \times 1 \text{ mm}^2)$ ; $A_P = 1 \text{ mm}^2$                 |  | Ø 8 mm | 534855-xx |
| With 17-pin M23 connector (female) and 20-pin Mitsubishi connector $(2 \times 2 \times 0.14 \text{ mm}^2) + (4 \times 0.5 \text{ mm}^2)$ ; $A_P = 0.5 \text{ mm}^2$ |  | Ø 6 mm | –         |
| With 17-pin M23 connector (female) and 10-pin Mitsubishi connector $(2 \times 2 \times 0.14 \text{ mm}^2) + (4 \times 1 \text{ mm}^2)$ ; $A_P = 1 \text{ mm}^2$     |  | Ø 8 mm | –         |
| <b>Cable only</b> $(2 \times 2 \times 0.14 \text{ mm}^2) + (4 \times 1 \text{ mm}^2)$ ; $A_P = 1 \text{ mm}^2$  |  | Ø 8 mm | 816327-xx |

|   |  | Cables | Fanuc     |
|---|--|--------|-----------|
| <b>PUR connecting cables for M12 connecting element <math>(1 \times 4 \times 0.14 \text{ mm}^2) + (4 \times 0.34 \text{ mm}^2)</math>; <math>A_P = 0.34 \text{ mm}^2</math></b> |  |        |           |
| With 8-pin M12 connector (female) and Fanuc connector   |  | Ø 6 mm | 646807-xx |
| With 8-pin M12 connector (female) and 20-pin Mitsubishi connector   |  | Ø 6 mm | –         |
| With 8-pin M12 connector (female) and 10-pin Mitsubishi connector   |  | Ø 6 mm | –         |

|   |  | Cables   | Siemens    |
|---|--|----------|------------|
| <b>PUR connecting cables for M12 connecting element <math>2(2 \times 0.17 \text{ mm}^2) + (2 \times 0.24 \text{ mm}^2)</math>; <math>A_P = 0.24 \text{ mm}^2</math></b> |  |          |            |
| With 8-pin M12 connector (female) and 8-pin M12 coupling (male)   |  | Ø 6.8 mm | 822504-xx  |
| With 8-pin M12 connector (female) and RJ45 Siemens connector (IP67); cable length: 1 m  |  | Ø 6.8 mm | 1094652-01 |
| With 8-pin M12 connector (female) and RJ45 Siemens connector (IP20)   |  | Ø 6.8 mm | 1093042-xx |

$A_P$ : Cross section of power supply lines

# Signal converters

Signal converters from HEIDENHAIN adapt the encoder signals to the interface of the downstream electronics. They are used when the downstream electronics cannot directly process the output signals from HEIDENHAIN encoders or when additional interpolation of the signals is necessary.

## Input signals of the signal converters

HEIDENHAIN signal converters can be connected to encoders that output 1 V<sub>PP</sub> sinusoidal signals (voltage signals) or 11 μA<sub>PP</sub> sinusoidal signals (current signals). Encoders with the EnDat or SSI serial interfaces can be connected to various signal converters as well.

## Output signals of the signal converters

The signal converters are available with the following interfaces to the downstream electronics:

- TTL square-wave pulse trains
- EnDat 2.2
- DRIVE-CLiQ
- Fanuc Serial Interface
- Mitsubishi high speed interface
- Yaskawa Serial Interface
- PROFIBUS

## Interpolation of the sinusoidal input signals

The signal converters perform signal conversion and interpolate the sinusoidal encoder signals. This permits finer measuring steps, resulting in higher control quality and superior positioning behavior.

## Generation of a position value

Various signal converters feature an integrated counting function. Starting from the last set reference point, an absolute position value is generated and output to the downstream electronics when the reference mark is traversed.



Plug design



Cable design



Top-hat rail design



| Outputs                                       |      | Inputs              |                   | Design – IP rating              | Interpolation <sup>1)</sup> or subdivision | Model                    |
|---|------|---------------------|-------------------|---------------------------------|--|--------------------------|
| Interface                                     | Qty. | Interface           | Qty.              |                                 |  |                          |
| □ TTL   | 1    | ~ 1 V <sub>PP</sub> | 1                 | Box design – IP65               | 5/10-fold                                  | IBV 101                  |
|   |      |                     |                   |                                 | 20/25/50/100-fold                          | IBV 102                  |
|   |      |                     |                   |                                 | Without interpolation                      | IBV 600                  |
|   |      |                     |                   | 25/50/100/200/400-fold          | IBV 660 B                                  |                          |
| □ TTL/<br>~ 1 V <sub>PP</sub><br>(adjustable) | 2    | ~ 1 V <sub>PP</sub> | 1                 | Box design – IP65               | 5/10-fold                                  | IBV 6072                 |
|   |      |                     |                   |                                 | 20/25/50/100-fold                          | IBV 6172                 |
| EnDat 2.2                                     | 1    | ~ 1 V <sub>PP</sub> | 1                 | Box design – IP65               | 2-fold                                     | IBV 6272                 |
|   |      |                     |                   |                                 | 5/10-fold                                  | IBV 6172                 |
|   |      |                     |                   | 5/10-fold and 20/25/50/100-fold | IBV 6272                                   |                          |
| EnDat 2.2                                     | 1    | ~ 1 V <sub>PP</sub> | 1                 | Box design – IP65               | ≤ 16384-fold subdivision                   | EIB 192                  |
|   |      |                     |                   |                                 | Plug design – IP40                         | ≤ 16384-fold subdivision |
|   |      |                     |                   | 2                               | Box design – IP65                          | ≤ 16384-fold subdivision |
| DRIVE-CLiQ                                    | 1    | EnDat 2.2           | 1                 | Box design – IP65               | –  | EIB 2391 S               |
|   |      |                     |                   | Cable design – IP65             | –  | EIB 3392 S               |
| Fanuc Serial Interface                        | 1    | ~ 1 V <sub>PP</sub> | 1                 | Box design – IP65               | ≤ 16384-fold subdivision                   | EIB 192 F                |
|   |      |                     |                   | Plug design – IP40              | ≤ 16384-fold subdivision                   | EIB 392 F                |
|   | 2    |                     | Box design – IP65 | ≤ 16384-fold subdivision        | EIB 1592 F                                 |                          |
| Mitsubishi high speed interface               | 1    | ~ 1 V <sub>PP</sub> | 1                 | Box design – IP65               | ≤ 16384-fold subdivision                   | EIB 192 M                |
|   |      |                     |                   | Plug design – IP40              | ≤ 16384-fold subdivision                   | EIB 392 M                |
|   | 2    |                     | Box design – IP65 | ≤ 16384-fold subdivision        | EIB 1592 M                                 |                          |
| Yaskawa Serial Interface                      | 1    | EnDat 2.2           | 1                 | Plug design – IP40              | –  | EIB 3391 Y               |
| PROFIBUS DP                                   | 1    | EnDat 2.2           | 1                 | Top-hat rail design             | –  | PROFIBUS Gateway         |
| PROFINET IO                                   | 1    | EnDat 2.2           | 1                 | Top-hat rail design             | –  | PROFINET Gateway         |

<sup>1)</sup> Switchable



# Testing and inspection devices, and diagnostics

HEIDENHAIN encoders provide all of the information necessary for initial setup, monitoring, and diagnostics. The type of information available depends on whether the encoder is incremental or absolute and on which interface is being used.

Incremental encoders primarily have 1 V<sub>PP</sub> TTL, or HTL interfaces. TTL and HTL encoders monitor their signal amplitudes internally and generate a purely digital fault detection signal. With 1 V<sub>PP</sub> signals, an analysis of the output signals is possible only with external testing devices or through the use of computation resources in the downstream electronics (**analog diagnostics interface**).

Absolute encoders employ serial data transmission. Depending on the interface, additional 1 V<sub>PP</sub> incremental signals can be output. The signals are extensively monitored within the encoder. The monitoring results (specifically, valuation numbers) can be transmitted to the downstream electronics along with the position values via the serial interface (**digital diagnostics interface**).

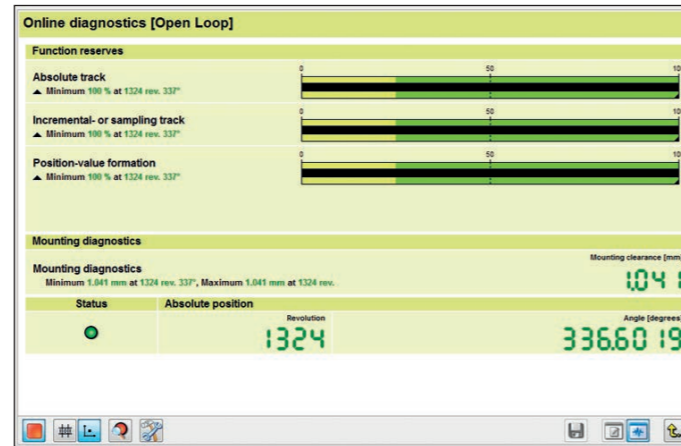
The following information is available:

- Error message: position value is not reliable
- Warning: an internal functional limit of the encoder has been reached
- Valuation numbers:
  - Detailed information about the encoder's functional reserve
  - Identical scaling for all HEIDENHAIN encoders
  - Cyclic reading is possible

This enables the downstream electronics to evaluate the current status of the encoder with little effort, even in closed loop mode

For the analysis of these encoders, HEIDENHAIN offers the appropriate PWM inspection devices and PWT testing devices. Depending on how these devices are integrated, a distinction is made between two types of diagnostics:

- Encoder diagnostics: the encoder is connected directly to the testing or inspection device, thereby enabling a detailed analysis of encoder functions.
- Monitoring mode: the PWM inspection device is linked into the closed control loop (via suitable testing adapters if needed). This enables real-time diagnosis of the machine or equipment during operation. The available functions depend on the interface.



Diagnostics with the PWM 21 and ATS software



Commissioning with the PWM 21 and ATS software

| Overview            |   | PWM 21                   |                                      | PWT 101                                |
|---------------------|---|--------------------------|--------------------------------------|--|
| Interface           | Output signals                              | Encoder diagnostics      | Monitoring mode                      | Encoder diagnostics                    |
| EnDat 2.1           | Position value<br>Incremental signals       | Yes<br>Yes               | No<br>Yes                            | Yes<br>Yes                             |
| EnDat 2.2           | Position value<br>Valuation numbers         | Yes<br>Yes               | Yes<br>Yes <sup>1)</sup>             | Yes<br>Yes                             |
| DRIVE-CLiQ          | Position value<br>Valuation numbers         | Yes<br>Yes               | No<br>No                             | No <sup>7)</sup><br>No <sup>7)</sup>   |
| Fanuc               | Position value<br>Valuation numbers         | Yes<br>Yes               | Yes<br>Yes                           | Yes <sup>8)</sup><br>Yes <sup>8)</sup> |
| Mitsubishi          | Position value<br>Valuation numbers         | Yes<br>Yes <sup>5)</sup> | Yes<br>Yes <sup>1) 5)</sup>          | Yes <sup>8)</sup><br>Yes <sup>8)</sup> |
| Panasonic           | Position value<br>Valuation numbers         | Yes<br>Yes               | Yes<br>Yes <sup>1)</sup>             | Yes <sup>8)</sup><br>Yes <sup>8)</sup> |
| Yaskawa             | Position value<br>Valuation numbers         | Yes<br>Yes <sup>6)</sup> | No <sup>7)</sup><br>No <sup>7)</sup> | Yes <sup>8)</sup><br>Yes <sup>8)</sup> |
| SSI                 | Position value<br>Incremental signals       | Yes<br>Yes               | No<br>Yes                            | No<br>No                               |
| 1 V <sub>PP</sub>   | Incremental signals                         | Yes                      | Yes                                  | Yes                                    |
| 11 μA <sub>PP</sub> | Incremental signals                         | Yes                      | Yes                                  | Yes                                    |
| TTL                 | Incremental signals<br>Scanning signals     | Yes<br>Yes <sup>4)</sup> | Yes<br>No                            | Yes<br>Yes <sup>4)</sup>               |
| HTL                 | Incremental signals                         | Yes <sup>2)</sup>        | No                                   | No <sup>7)</sup>                       |
| Commutation         | Block commutation<br>Sinusoidal commutation | Yes <sup>2)</sup><br>Yes | No<br>Yes                            | Yes <sup>3)</sup><br>Yes               |

<sup>1)</sup> Information must be requested and transferred by the control

<sup>2)</sup> Via the appropriate signal adapter

<sup>3)</sup> Only for encoders with block commutation (see encoder documentation)

<sup>4)</sup> If supported by the encoder (PWT function)

<sup>5)</sup> Not available for encoders with the ordering designation Mitsu01

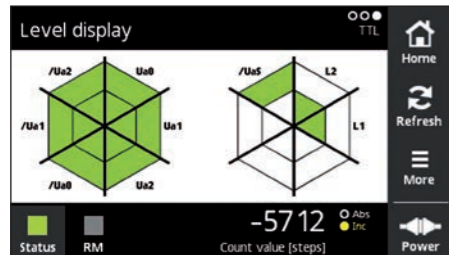
<sup>6)</sup> Not available for the EIB 3391Y

<sup>7)</sup> Function not available yet

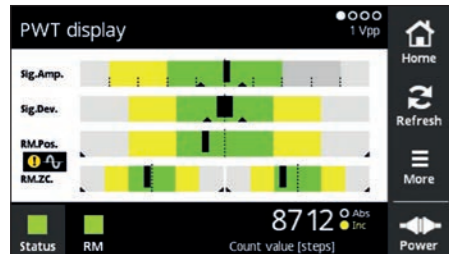
<sup>8)</sup> Two-pair transmission is required (for more information, see the documentation for the PWT 100/PWT 101)

### PWT 101

The PWT 101 is a testing device for the functional testing and adjustment of incremental and absolute HEIDENHAIN encoders. Thanks to its compact dimensions and rugged design, the PWT 101 is ideal for portable use.



Level display



PWT display

| Testing device                                       | PWT 101   |
|--|---|
| <b>Area of application</b>                           | <ul style="list-style-type: none"> <li>The functional testing of absolute and incremental HEIDENHAIN encoders</li> </ul>  |
| <b>Encoder input</b><br>only for HEIDENHAIN encoders | <ul style="list-style-type: none"> <li>EnDat</li> <li>Fanuc Serial Interface</li> <li>Mitsubishi high speed interface</li> <li>Panasonic Serial Interface</li> <li>Yaskawa Serial Interface</li> <li>1 V<sub>PP</sub> with Z1 track</li> <li>1 V<sub>PP</sub></li> <li>11 μA<sub>PP</sub></li> <li>TTL</li> </ul> |
| <b>Display</b>                                       | 4.3-inch touchscreen  |
| <b>Supply voltage</b>                                | DC 24 V<br>Power consumption: max. 15 W   |
| <b>Operating temperature</b>                         | 0 °C to 40 °C   |
| <b>Protection</b> EN 60529                           | IP20  |
| <b>Dimensions</b>                                    | ≈ 145 mm × 85 mm × 35 mm  |
| <b>Languages</b>                                     | German, English, French, Italian, Spanish, Japanese, Korean, Chinese (simplified), Chinese (traditional)  |

### PWM 21

The PWM 21 phase-angle measuring unit, in conjunction with the ATS adjusting and testing software, serves as an adjusting and testing package for the diagnosis and adjustment of HEIDENHAIN encoders.



For more information, please refer to the *PWM 21/ATS Software* Product Information document.

|                       | PWM 21   |
|-----------------------|--|
| <b>Encoder input</b>  | <ul style="list-style-type: none"> <li>EnDat 2.1 or EnDat 2.2 (absolute value with or without incremental signals)</li> <li>DRIVE-CLiQ</li> <li>Fanuc Serial Interface</li> <li>Mitsubishi high speed interface</li> <li>Yaskawa Serial Interface</li> <li>Panasonic serial interface</li> <li>SSI</li> <li>1 V<sub>PP</sub>/TTL/11 μA<sub>PP</sub></li> <li>HTL (via signal adapter)</li> </ul> |
| <b>Interface</b>      | USB 2.0  |
| <b>Supply voltage</b> | AC 100 V to 240 V or DC 24 V   |
| <b>Dimensions</b>     | 258 mm × 154 mm × 55 mm  |

|  | ATS   |
|--|---|
| <b>Languages</b>                               | German or English (selectable)  |
| <b>Functions</b>                               | <ul style="list-style-type: none"> <li>Position display</li> <li>Connection dialog</li> <li>Diagnostics</li> <li>Mounting wizard for the EBI/ECI/EQI, LIP 200, LIC 4000, and others</li> <li>Additional functions (if supported by the encoder)</li> <li>Memory contents</li> </ul> |
| <b>System requirements and recommendations</b> | PC (dual-core processor > 2 GHz)<br>RAM > 2 GB<br>Operating systems: Windows 7, 8, and 10 (32-bit / 64-bit)<br>500 MB of free hard drive space  |

DRIVE-CLiQ is a registered trademark of Siemens AG.

# HEIDENHAIN

Mastering nanometer accuracy



## HEIDENHAIN

DR. JOHANNES HEIDENHAIN GmbH

Dr.-Johannes-Heidenhain-Straße 5

83301 Traunreut, Germany

☎ +49 8669 31-0

☎ +49 8669 32-5061

✉ info@heidenhain.de

www.heidenhain.com



HEIDENHAIN  
worldwide